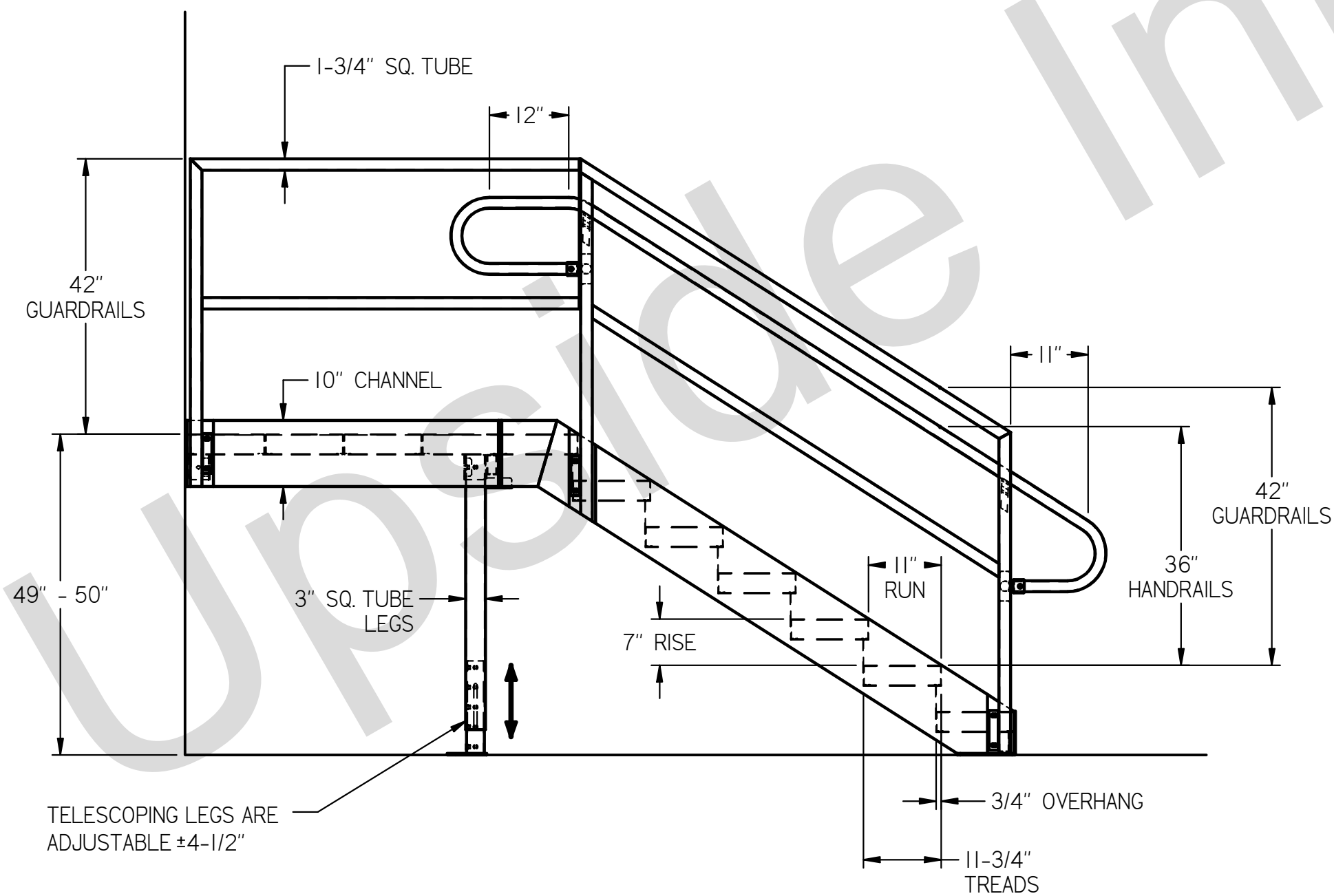
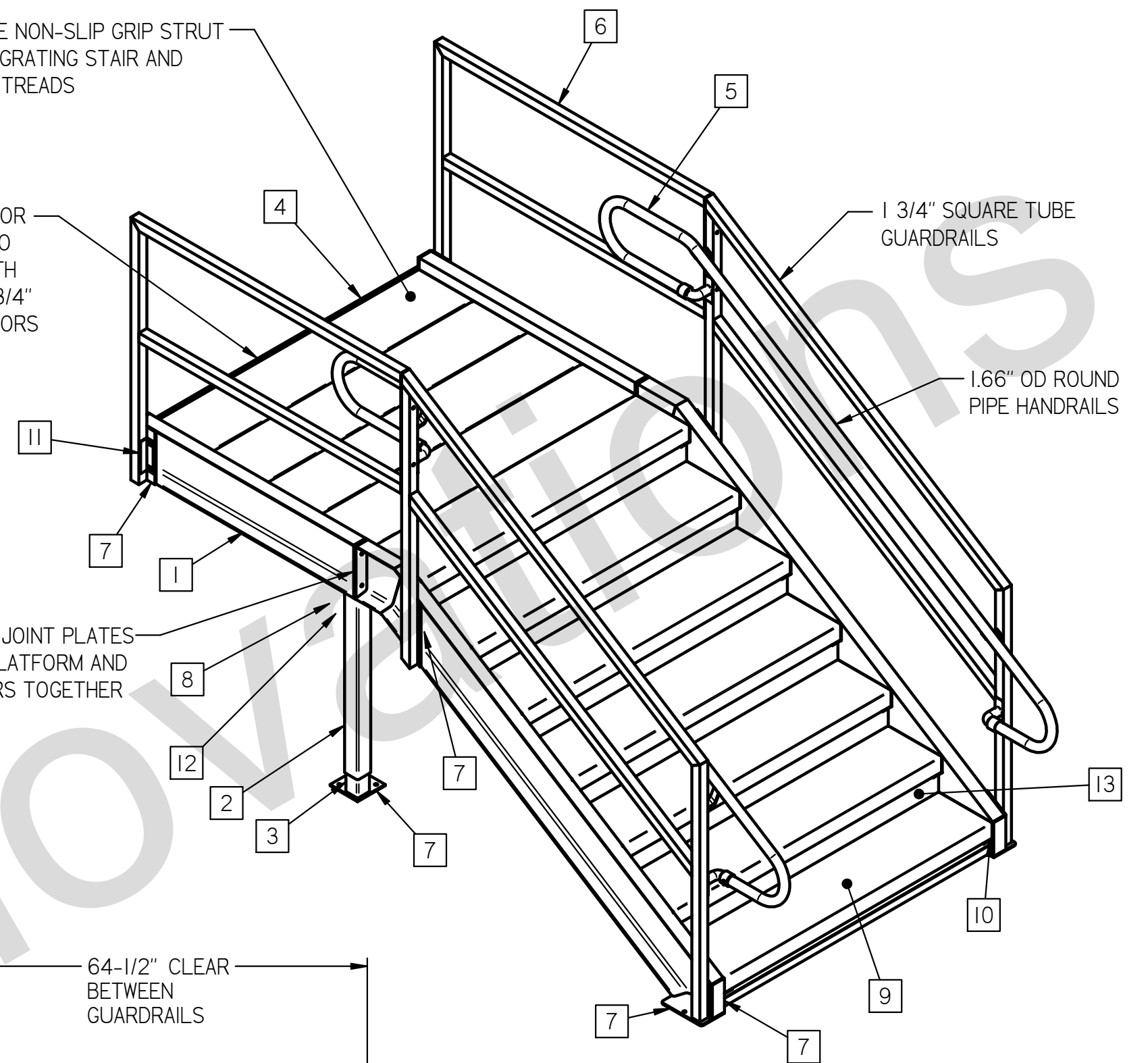


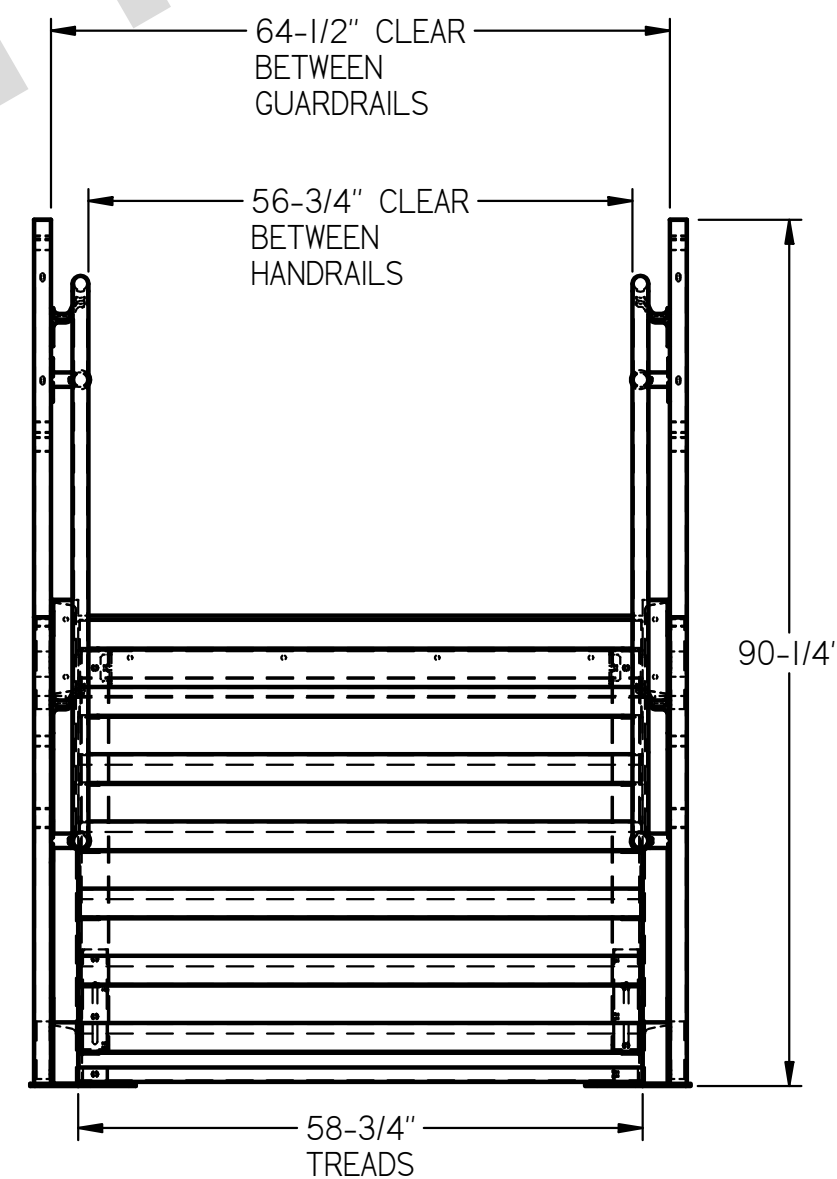
AGGRESSIVE NON-SLIP GRIP STRUT
SERRATED GRATING STAIR AND
PLATFORM TREADS

1/4" PLATE FOR
MOUNTING TO
BUILDING WITH
(4) 3/8" X 3 3/4"
WEDGE ANCHORS

FULLY WELDED JOINT PLATES
FOR BOLTING PLATFORM AND
STAIR STRINGERS TOGETHER



TELESCOPING LEGS ARE
ADJUSTABLE ±4-1/2"



ALL ALUMINUM CONSTRUCTION WITH STAINLESS STEEL HARDWARE.

APPROXIMATE WEIGHT AS SHOWN: 378 LBS.

NOTE: PER BUILDING CODE, PLATFORM CAN BE SLOPED UP TO 1/4" PER FOOT. PLATFORM CAN BE SET AT 50" WITH A 49" RISER AND WILL NOT EXCEED THE ALLOWED SLOPE.

DWG #	DX1000	<p>UPSIDE INNOVATIONS LLC CINCINNATI, OHIO WWW.UPSIDEINNOVATIONS.COM PHONE: (513) 889-2492 FAX: (513) 672-2124</p>	ALL DIMENSIONS IN INCHES UNLESS OTHERWISE SPECIFIED		XXX ± 0.060" XXXX ± 0.015" ANGLES ± 1°	
DATE	2/24/20		DATE	BY	REV	REVISION DESCRIPTION
REVISION	--					
SCALE	1:20					
DRAWN	SRF					
CHECKED	KRS					
TITLE	UPSIDE INNOVATIONS - 49" GRIP STRUT HEAVY DUTY DOCK STEP	SIZE	C			
The concepts and designs shown here-in are the exclusive proprietary property of UPSIDE INNOVATIONS LLC. and may not be copied or used in any manner without written permission from UPSIDE INNOVATIONS.						