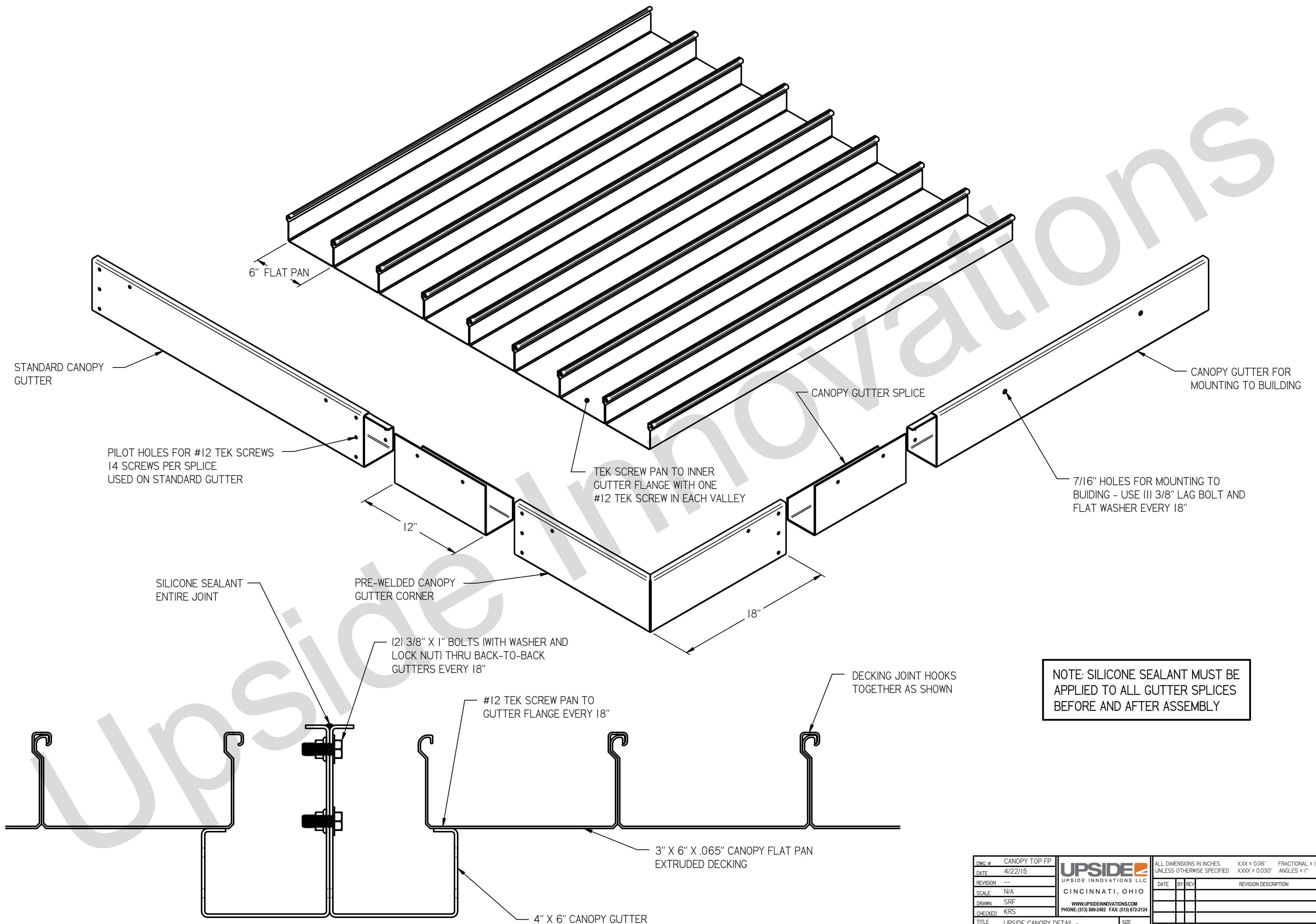


DWG #	CANOPY TOP WP	 UPSIDE INNOVATIONS LLC P.O. BOX 428511 - CINCINNATI, OHIO 45242 PHONE: (513) 404-7073 FAX: (513) 672-2124	ALL DIMENSIONS IN INCHES		XXX ± 0.06"	FRACTIONAL ± 1/16"	
DATE	7/27/11		UNLESS OTHERWISE SPECIFIED		XXXX ± 0.030"	ANGLES ± 1°	
REVISION	A		DATE	BY	REV	REVISION DESCRIPTION	
SCALE	N/A		6/11/14	SF	A	ADDED HARDWARE MATERIAL INFORMATION	
DRAWN	SRF						
CHECKED	KRS						
TITLE	UPSIDE CANOPY DETAIL - CANOPY TOP CONSTRUCTION		SIZE	C			

The concepts and designs shown here-in are the exclusive proprietary property of UPSIDE INNOVATIONS LLC and may not be copied or used in any manner without written permission from UPSIDE INNOVATIONS.

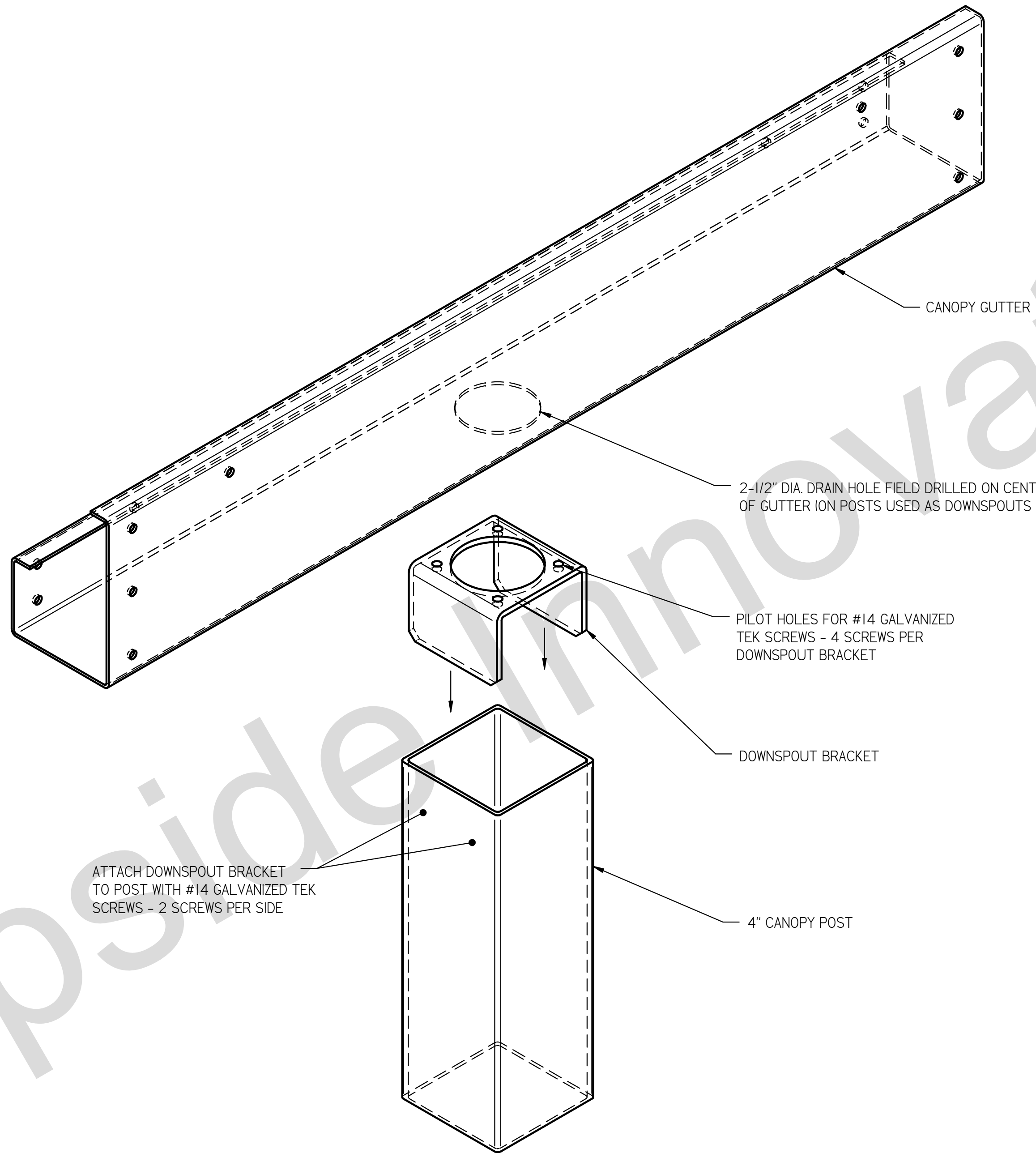


NOTE: SILICONE SEALANT MUST BE APPLIED TO ALL GUTTER SPLICES BEFORE AND AFTER ASSEMBLY

CANOPY GUTTER JOINT DETAIL

DWG #	CANOPY TOP FP		ALL DIMENSIONS IN INCHES	XXX ± 0.06"	FRACTIONAL ± 1/16"
DATE	4/22/15		UNLESS OTHERWISE SPECIFIED	XXXX ± 0.030"	ANGLES ± 1°
REVISION	--	UPSIDE INNOVATIONS LLC	DATE	BY	REV
SCALE	N/A	CINCINNATI, OHIO			
DRAWN	SRF	WWW.UPSIDEINNOVATIONS.COM			
CHECKED	KRS	PHONE: (513) 889-2492 FAX: (513) 672-2124			
TITLE	UPSIDE CANOPY DETAIL - CANOPY TOP CONSTRUCTION WITH FLAT PAN DECKING	SIZE			
		C			

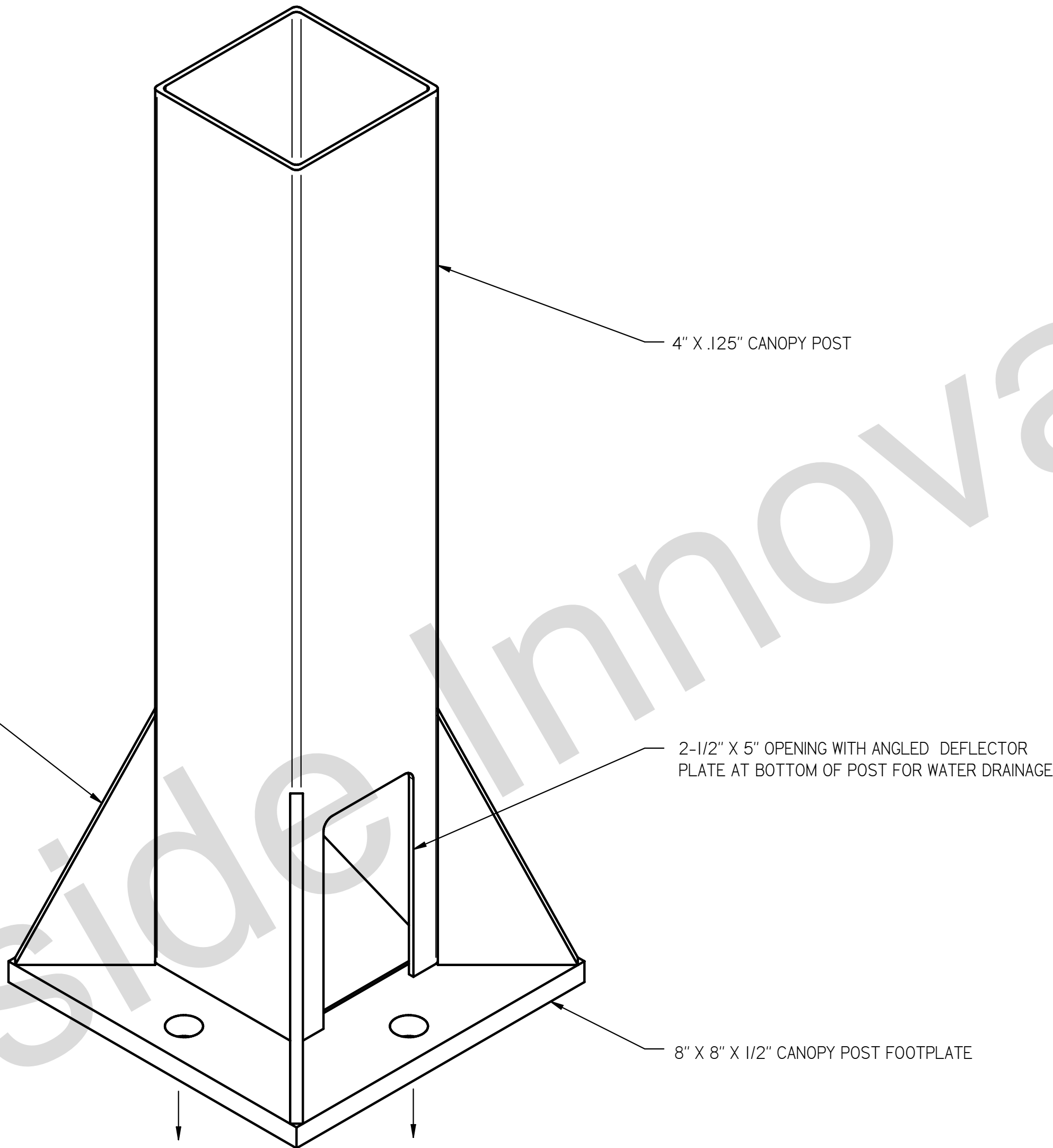
The concepts and designs shown here-in are the exclusive proprietary property of UPSIDE INNOVATIONS LLC and may not be copied or used in any manner without written permission from UPSIDE INNOVATIONS.



ATTACH DOWNSPOUT BRACKET TO POST WITH #14 GALVANIZED TEK SCREWS - 2 SCREWS PER SIDE

NOTE: SILICONE SEALANT MUST BE APPLIED AROUND LEG TO GUTTER JOINT FOR A WATERTIGHT SEAL

DWG #	CANOPY POST	ALL DIMENSIONS IN INCHES UNLESS OTHERWISE SPECIFIED		XXX ± 0.06"	FRACTIONAL ± 1/16"
DATE	7/27/11	UNLESS OTHERWISE SPECIFIED		XXXX ± 0.030"	ANGLES ± 1°
REVISION	A	DATE	BY	REV	REVISION DESCRIPTION
SCALE	1:3	6/11/14	SF	A	ADDED HARDWARE MATERIAL INFORMATION
DRAWN	SRF				
CHECKED	KRS				
TITLE	UPSIDE CANOPY DETAIL - CANOPY GUTTER TO POST ASSEMBLY	SIZE	C		
<small>The concepts and designs shown here-in are the exclusive proprietary property of UPSIDE INNOVATIONS LLC and may not be copied or used in any manner without written permission from UPSIDE INNOVATIONS.</small>					



4" X .125" CANOPY POST

(4) 1/4" GUSSETS

2-1/2" X 5" OPENING WITH ANGLED DEFLECTOR PLATE AT BOTTOM OF POST FOR WATER DRAINAGE

8" X 8" X 1/2" CANOPY POST FOOTPLATE

FOOTPLATE MUST BE ANCHORED TO CONCRETE WITH (4) 5/8" X 5" CONCRETE ANCHORS

DWG # CANOPY FOOTPLATE		ALL DIMENSIONS IN INCHES UNLESS OTHERWISE SPECIFIED		XXX ± 0.06"	FRACTIONAL ± 1/16"
DATE	9/27/11	UPSIDE INNOVATIONS LLC		XXXX ± 0.030"	ANGLES ± 1°
REVISION	--	DATE	BY	REV	REVISION DESCRIPTION
SCALE	1:2				
DRAWN	SRF				
CHECKED	KRS				
TITLE	UPSIDE CANOPY DETAIL - CANOPY FOOTPLATE ASSEMBLY	SIZE	C		

The concepts and designs shown here-in are the exclusive proprietary property of UPSIDE INNOVATIONS LLC and may not be copied or used in any manner without written permission from UPSIDE INNOVATIONS.