

# UPSIDE INNOVATIONS

COMMERCIAL METAL AWNING  
INSTALLATION MANUAL



## STEP ASSEMBLY INSTRUCTIONS

### REQUIRED TOOLS:

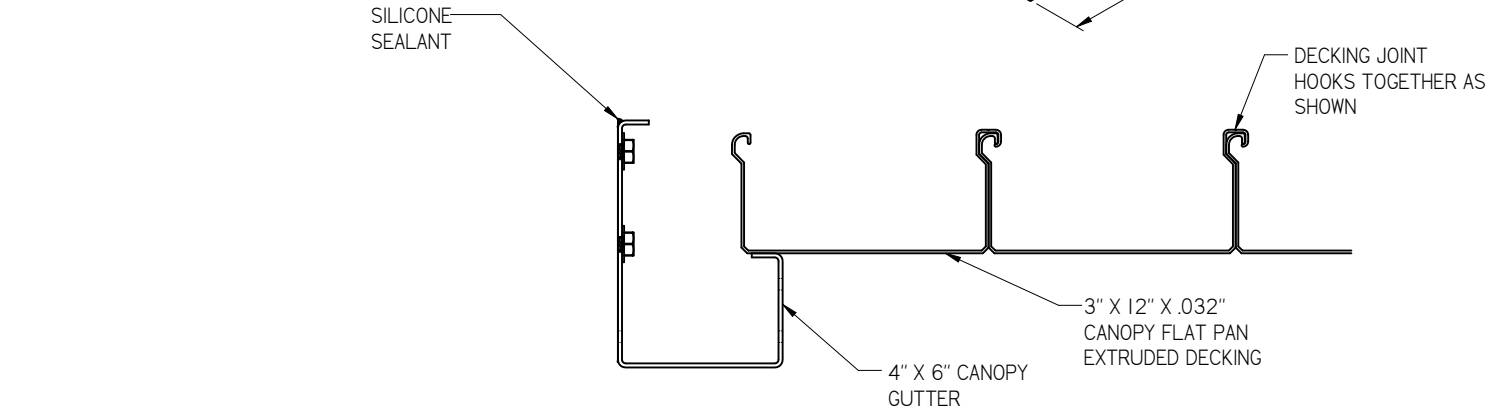
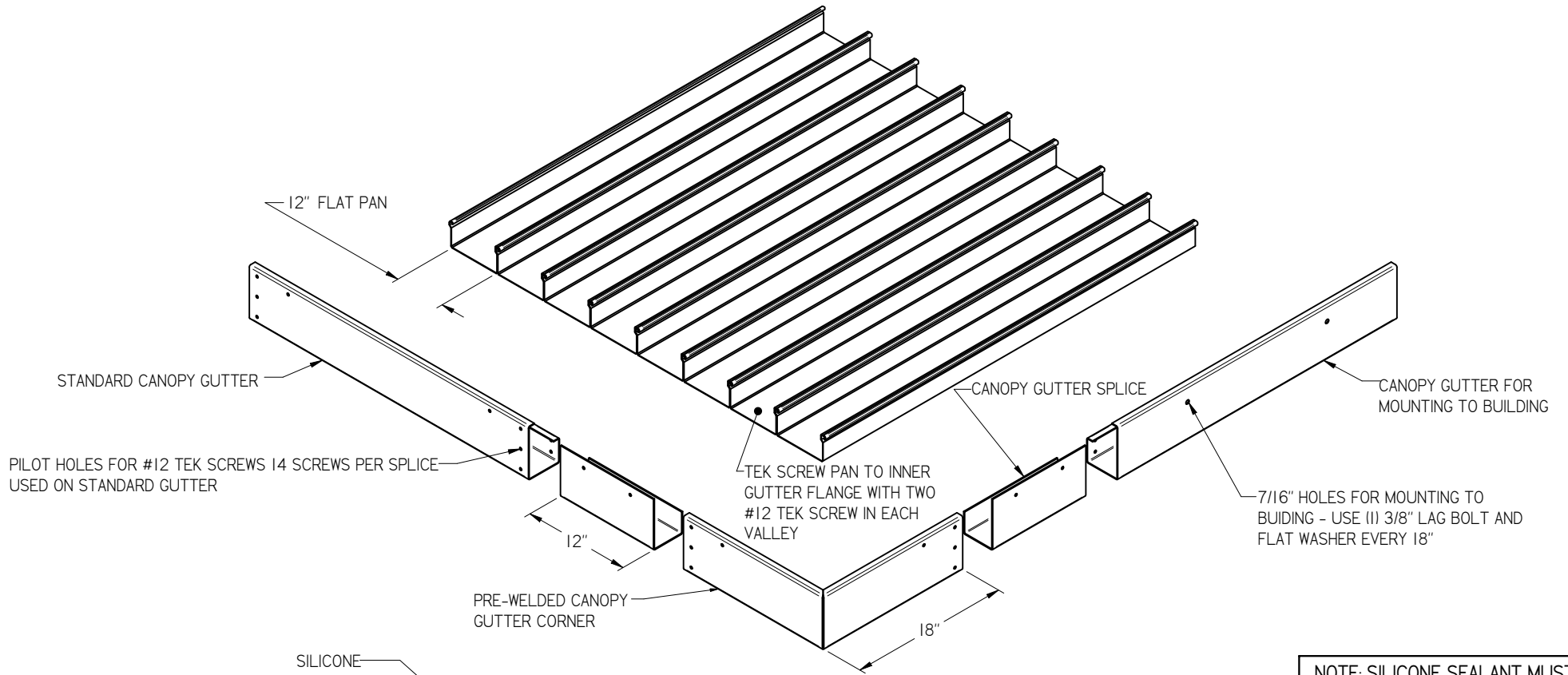
- Ratchet Handle for 9/16" Socket
- Socket Adapter Bit for Drill (if using drill to drive socket)
- 9/16" Standard Wrench
- 5/16" Hex Head Driver Bit
- Tape Measure
- 4' Level

### RECOMMENDED TOOLS:

- Cordless Drill
- Extension Cords
- 9/16" Deep Well Socket
- Magnetic 5/16" Hex Head Driver Bit

### TABLE OF CONTENTS:

|                                      |    |
|--------------------------------------|----|
| Common Hardware Parts.....           | 1  |
| Platform Leg Sizing.....             | 2  |
| Threshold Platform Assembly.....     | 3  |
| Platform Guardrail Assembly.....     | 4  |
| Installing Brackets and Keys.....    | 5  |
| Lag Bolting and Anchoring.....       | 6  |
| Step Assembly – 30" or shorter.....  | 7  |
| Step Assembly – Taller Than 30"..... | 8  |
| Additional Platforms Assembly.....   | 9  |
| Installation Checklist.....          | 11 |



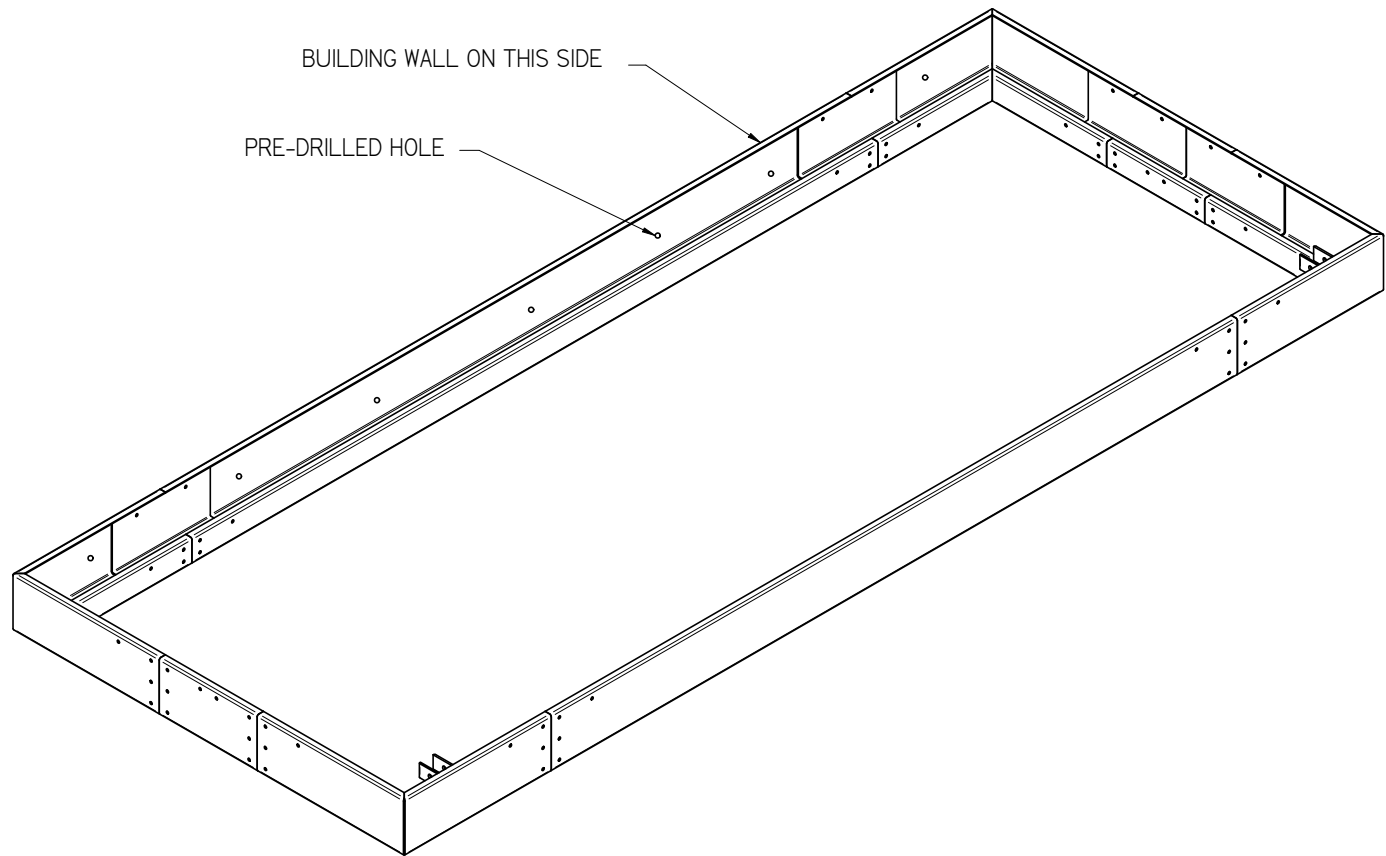
NOTE: SILICONE SEALANT MUST BE APPLIED TO ALL GUTTER SPLICES BEFORE AND AFTER ASSEMBLY

CANOPY GUTTER DETAIL

# STEP 1

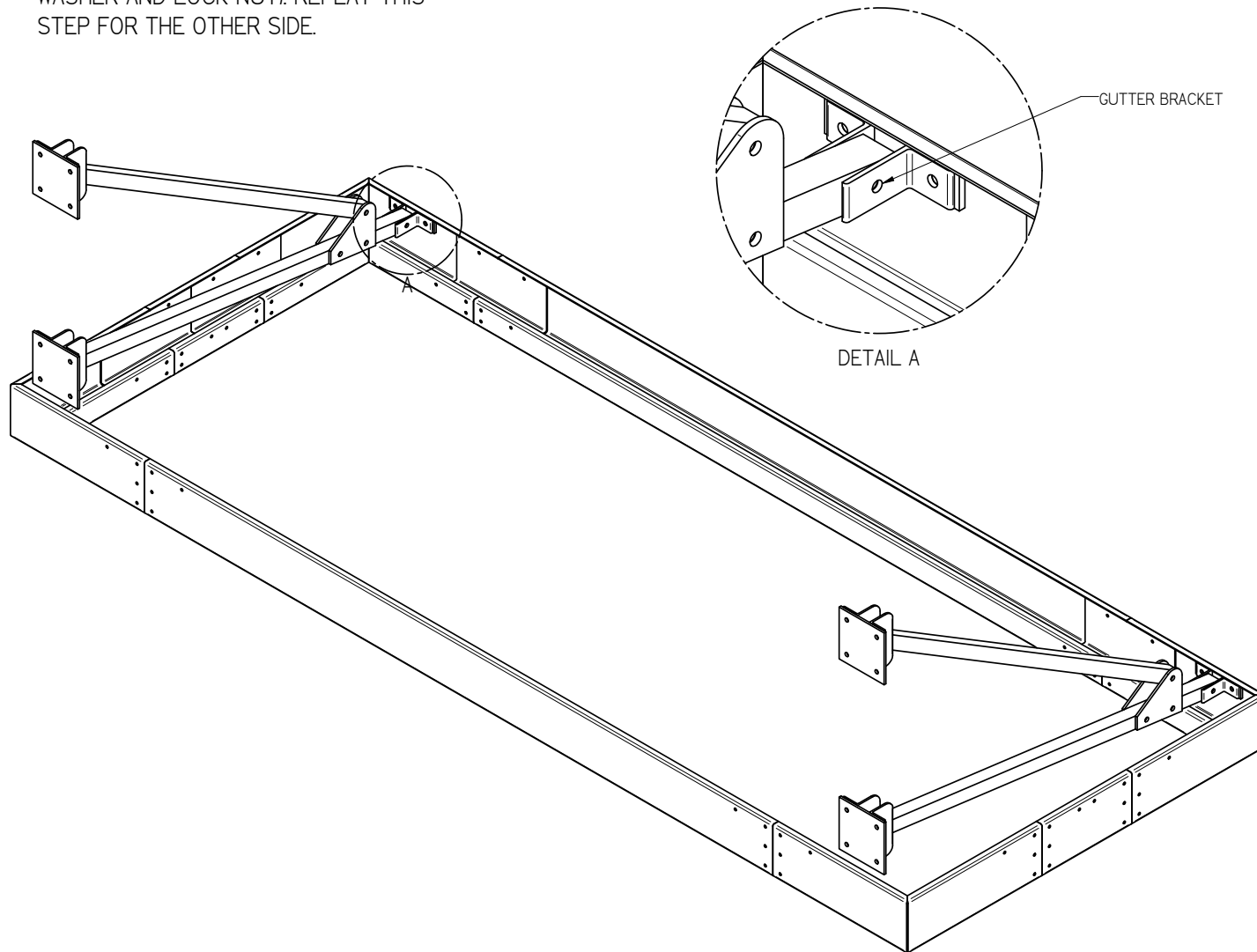
USING THE (7) PRE-DRILLED HOLES AS A GUIDE, USE 3/8" LAG BOLTS AND FLAT WASHERS TO MOUNT THE GUTTER TO THE BUILDING FACADE.

TO AVOID ANY DAMAGE, THE CANOPY FRAME MUST BE LIFTED AND SUPPORTED UNTIL THE SUPPORTING ARMS ARE INSTALLED.



## STEP 2

ASSEMBLE THE SUPPORT ARM  
ASSEMBLY TO THE GUTTER BRACKET  
USING (1) 5/8" X 2-3/4" BOLT (WITH  
WASHER AND LOCK NUT). REPEAT THIS  
STEP FOR THE OTHER SIDE.



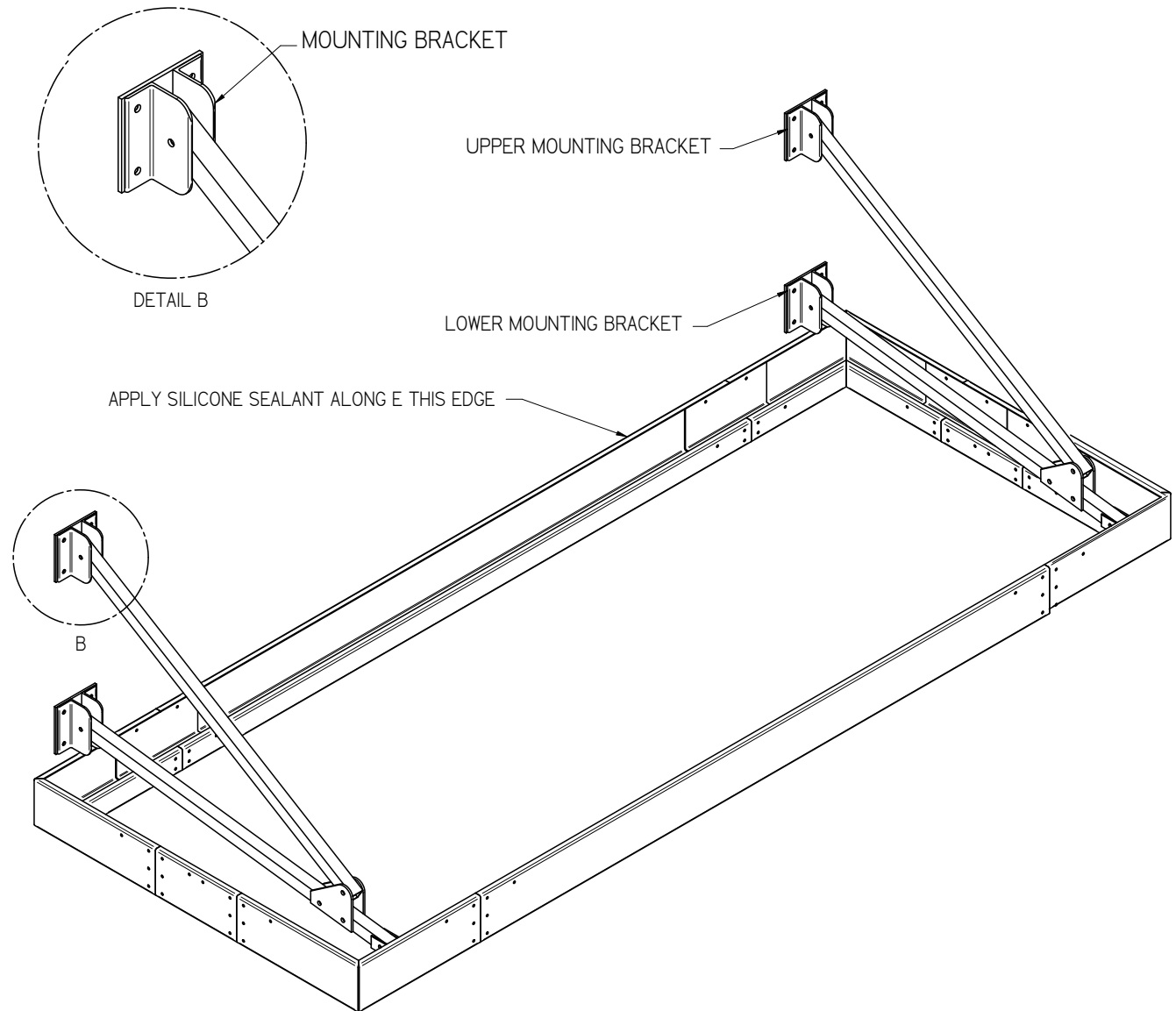
## STEP 3

WHILE STILL LIFTING AND SUPPORTING THE CANOPY FRAME, LIFT AND POSITION THE TWO UPPER MOUNTING BRACKETS UNTIL THE CANOPY FRAME IS IN THE HORIZONTAL POSITION AND NOT TILTING. USE A LEVEL IN BOTH DIRECTIONS TO CHECK THE ALIGNMENT OF THE CANOPY FRAME.

NEXT, START ATTACHING THE TOP THE MOUNTING BRACKET ON ONE SIDE OF CANOPY USING (4) 3/8" LAG BOLTS AND FLAT WASHERS. REPEAT THIS STEP FOR THE OTHER TOP MOUNTING BRACKET ON THE OTHER SIDE AFTER RE-CHECKING THE ALIGNMENT OF THE CANOPY.

NEXT, INSTALL THE LOWER MOUNTING BRACKET ON BOTH SIDES.

AFTER INSTALLING THE CANOPY FRAME AND SUPPORT ARMS, APPLY SILICONE SEALANT ALONG ENTIRE TOP EDGE OF GUTTER TO SEAL GAPS BETWEEN GUTTER AND BUILDING WALL.



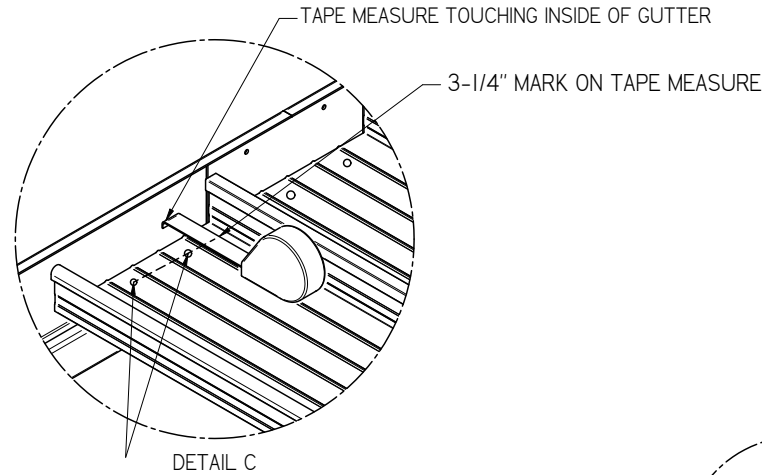
# STEP 4

STARTING FROM ONE END OF THE CANOPY, POSITION THE FIRST PIECE OF FLAT-PAN DECKING ON TOP OF THE INNER GUTTER FLANGE (LEAVING A GAP OF ABOUT 1-1/2" ON BOTH ENDS). NEXT, TEK SCREW BOTH ENDS OF THE FLAT PAN TO THE FLAT SIDE OF THE GUTTER FLANGE AS SHOWN IN DETAIL C.

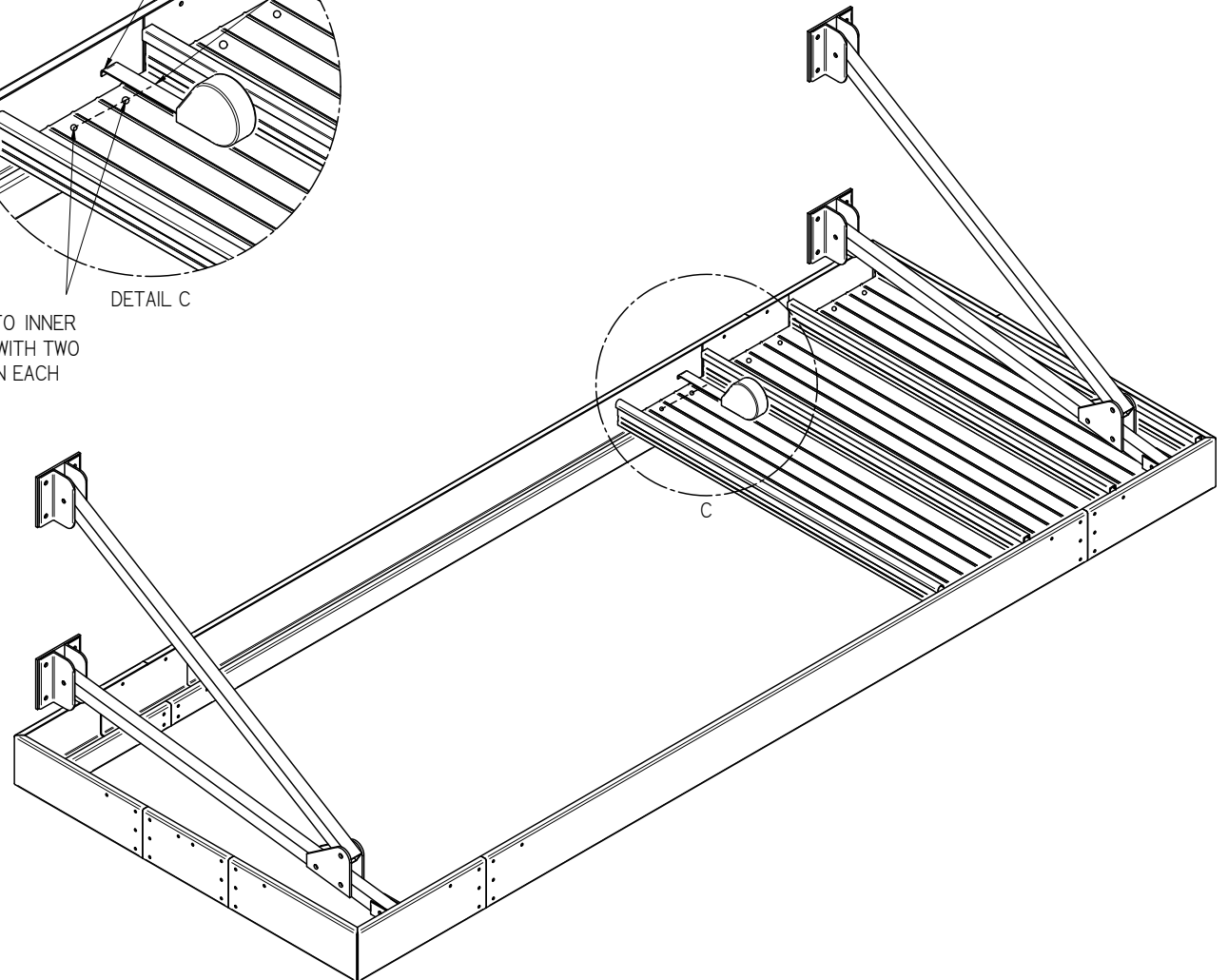
NEXT, POSITION THE NEXT FLAT-PAN DECKING PIECE BY MANUALLY SNAPPING AND LOCKING IT TO THE ONE BEFORE IT. NEXT, TEK SCREW THE DECKING SIMILAR TO THE FIRST DECKING PIECE.

REPEAT THE PREVIOUS STEP UNTIL THE ENTIRE CANOPY IS COVERED

NOTE: THE LAST PIECE OF FLAT-PAN DECKING MIGHT HAVE TO BE TRIMMED TO FIT INSIDE THE CANOPY FRAME.



TEK SCREW PAN TO INNER GUTTER FLANGE WITH TWO #12 TEK SCREW IN EACH VALLEY



You have reached the end of the installation instructions. If you need assistance, please contact us: (513)-889-2492