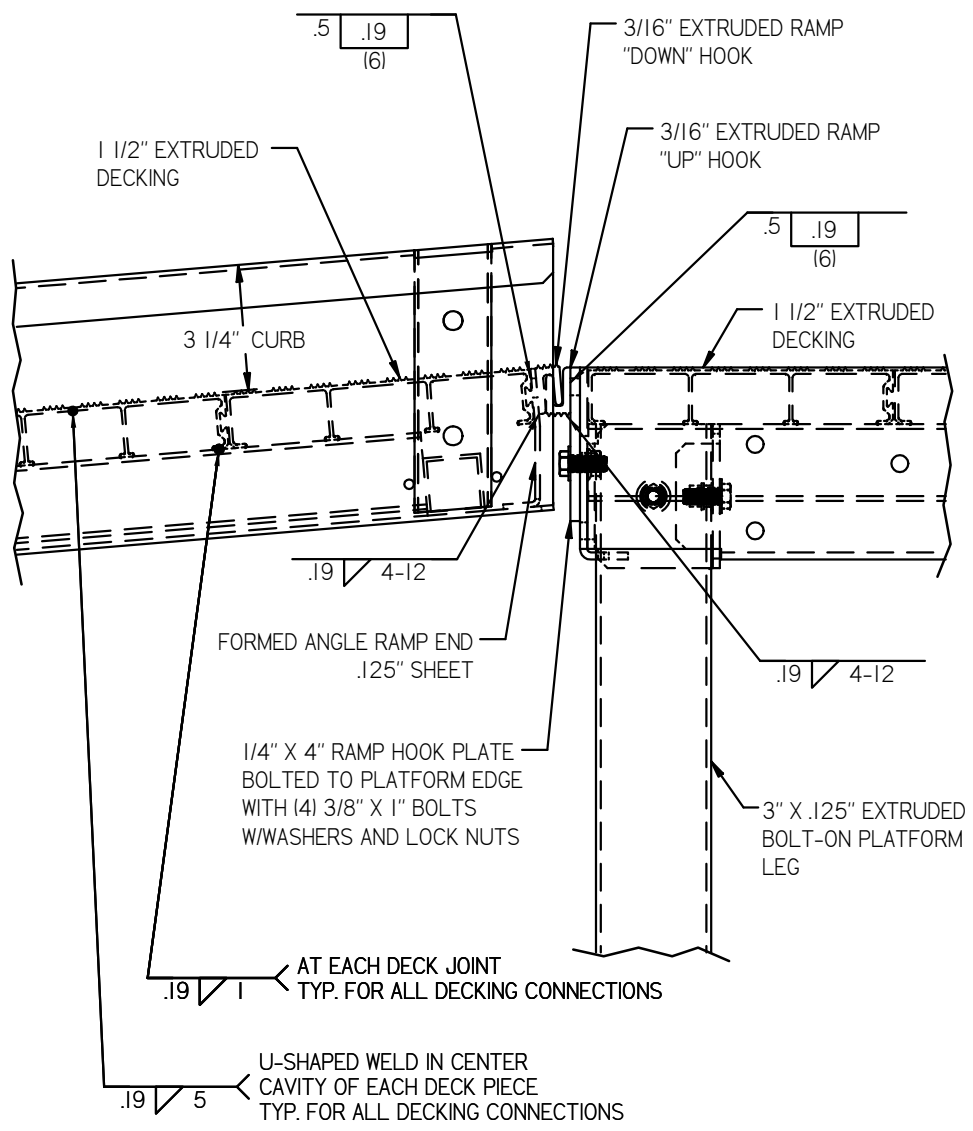
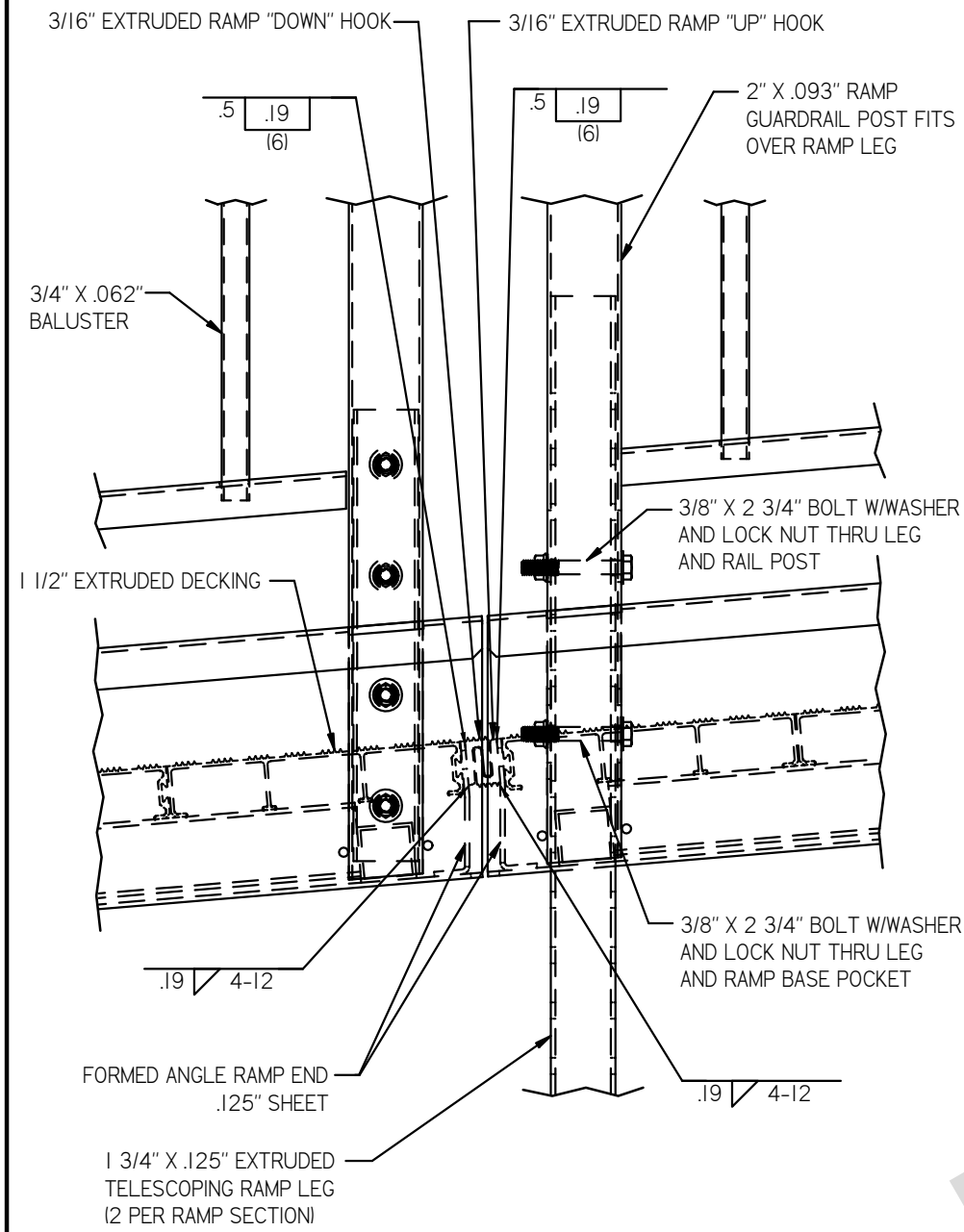


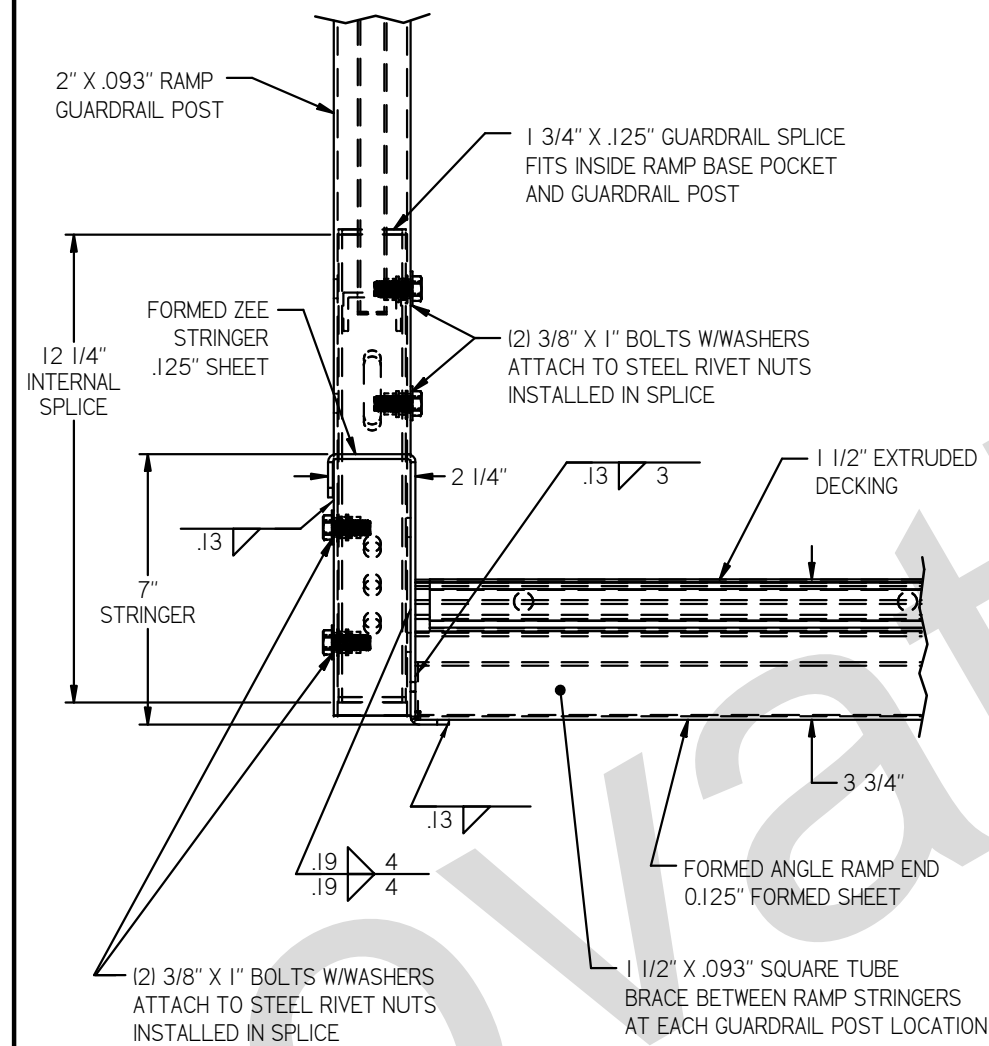
DETAIL A: TYPICAL RAMP TO PLATFORM CONNECTION



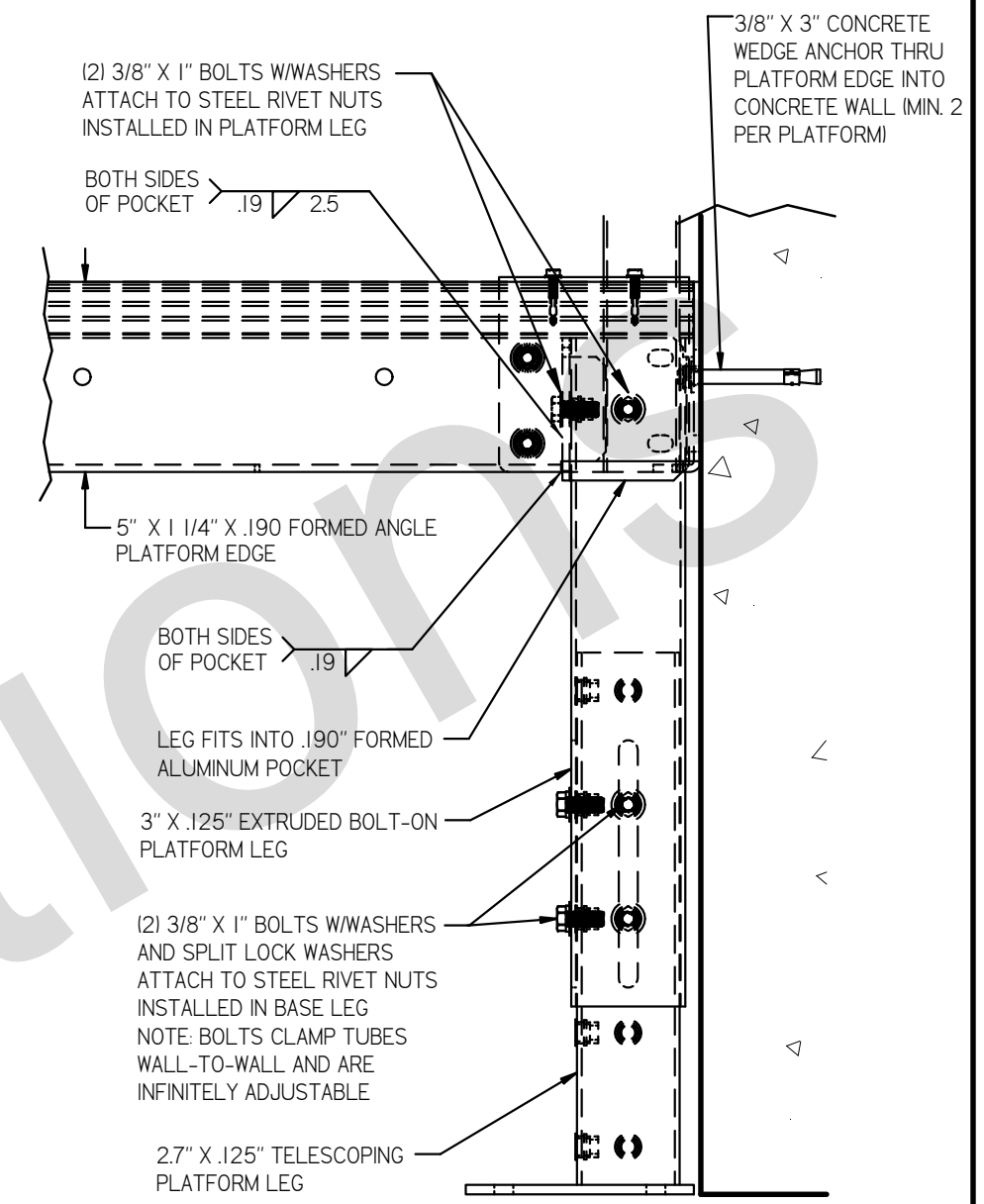
DETAIL B: TYPICAL RAMP TO RAMP AND RAMP LEG CONNECTION



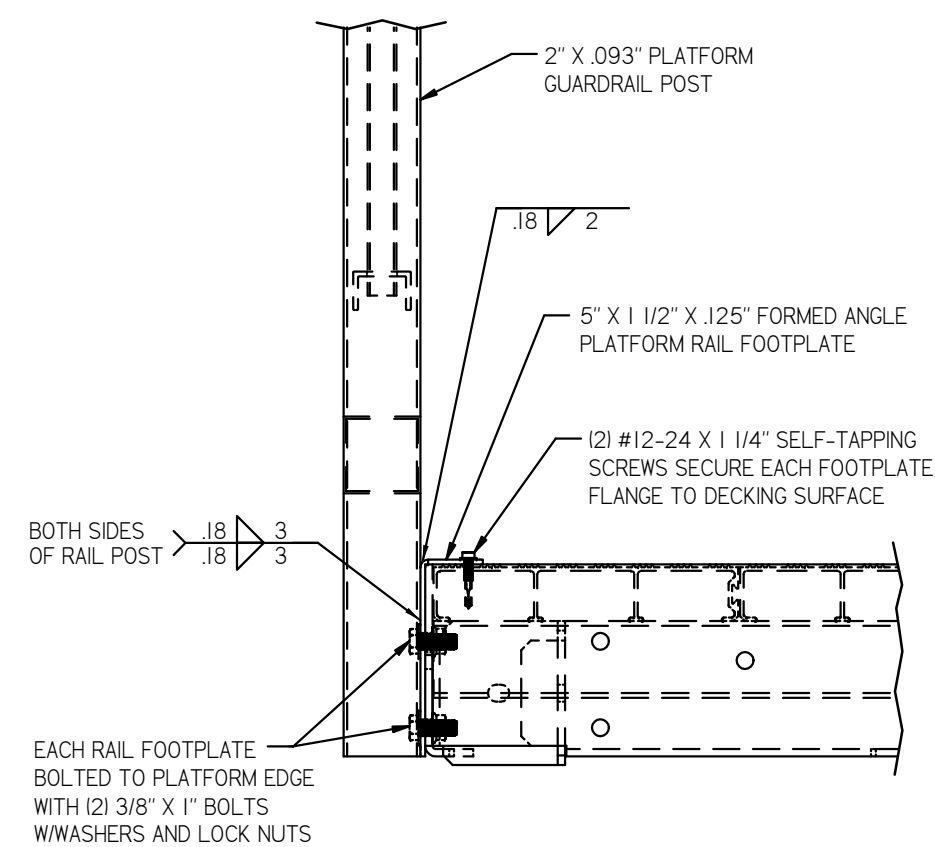
DETAIL C: TYPICAL RAMP GUARDRAIL CONNECTION



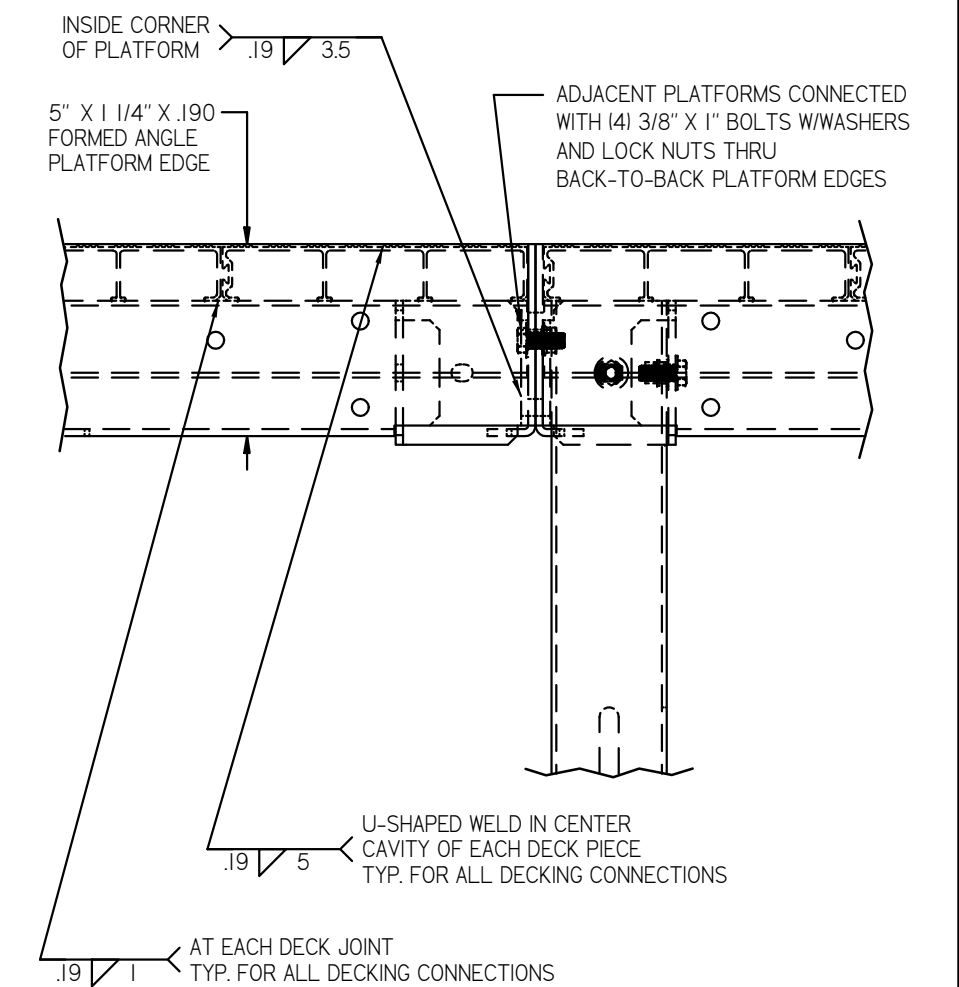
DETAIL D: TYPICAL PLATFORM TO BUILDING CONNECTION



DETAIL G: TYPICAL PLATFORM GUARDRAIL CONNECTION



DETAIL H: TYPICAL PLATFORM TO PLATFORM CONNECTION



NOTES:

1. ALL EXTRUSIONS ARE EITHER 6061-T6 OR 6063-T5 ALUMINUM.
2. ALL FORMED SHEET IS 5052-H32 ALUMINUM.
3. ALL HARDWARE IS 18-8 STAINLESS STEEL.
4. THREADED RIVET NUTS ARE ZINC COATED STEEL.

DWG #	RSP CONNECTION
DATE	8/20/15
REVISION	--
SCALE	1:5
DRAWN	SRF
CHECKED	KRS
TITLE	UPSIDE RAMP, STEP AND PLATFORM CONNECTION DETAILS

UPSIDE INNOVATIONS LLC CINCINNATI, OHIO WWW.UPSIDENOVATIONS.COM PHONE: (513) 889-2492 FAX: (513) 672-2124	
DATE	BY REV

ALL DIMENSIONS IN INCHES UNLESS OTHERWISE SPECIFIED		XXX ± 0.06" FRACTIONAL ± 1/16"
		XXXX ± 0.030" ANGLES ± 1°
DATE	BY	REV

The concepts and designs shown here-in are the exclusive proprietary property of UPSIDE INNOVATIONS LLC and may not be copied or used in any manner without written permission from UPSIDE INNOVATIONS.