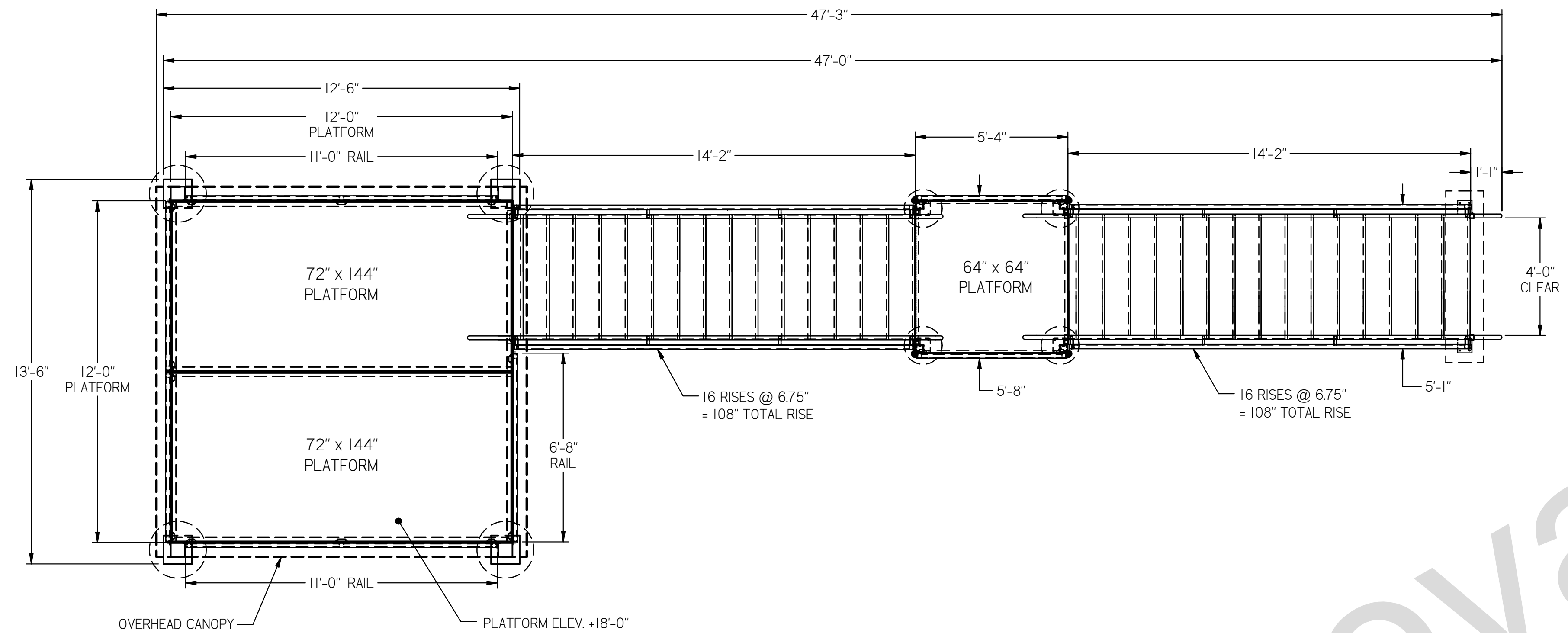
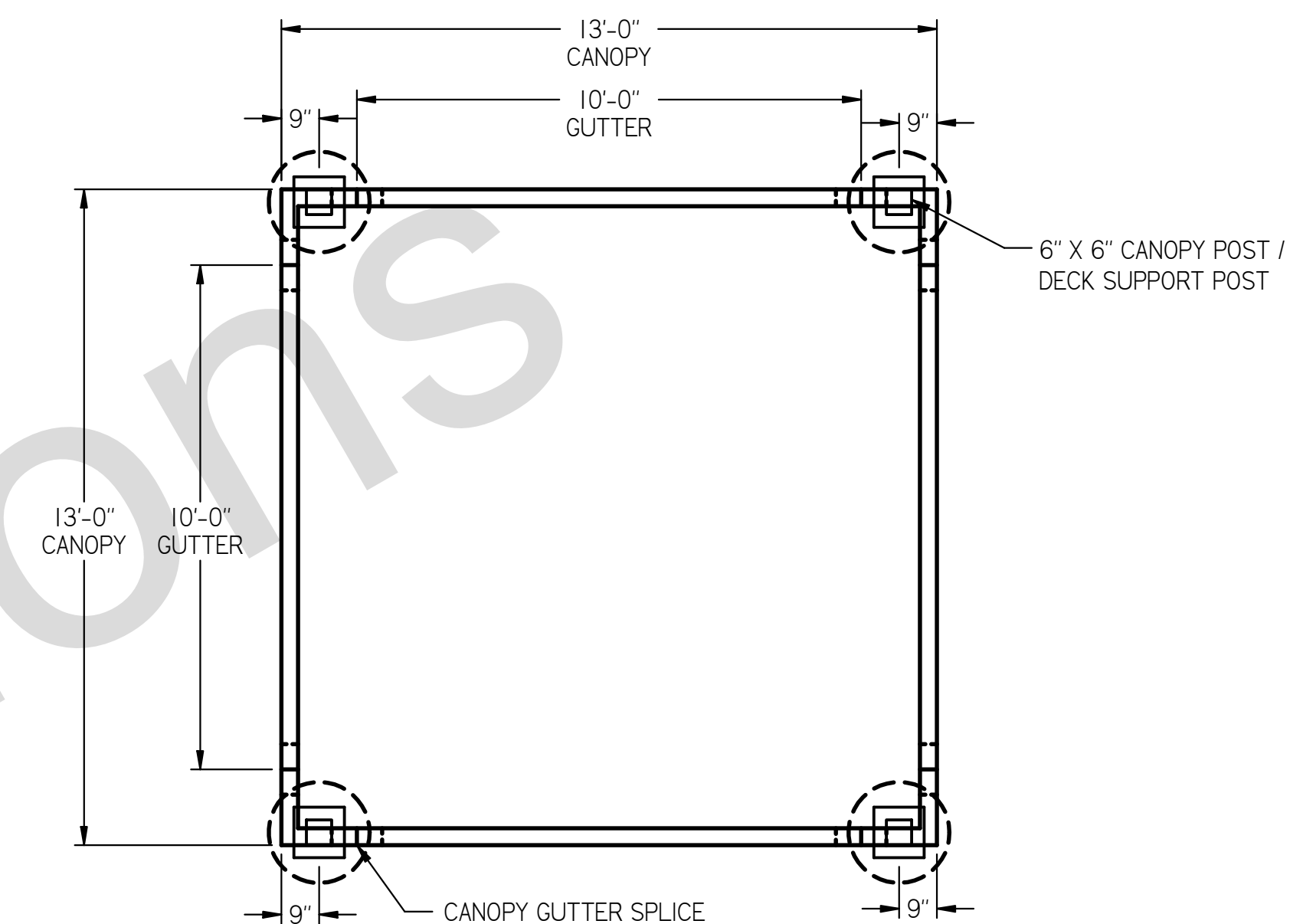


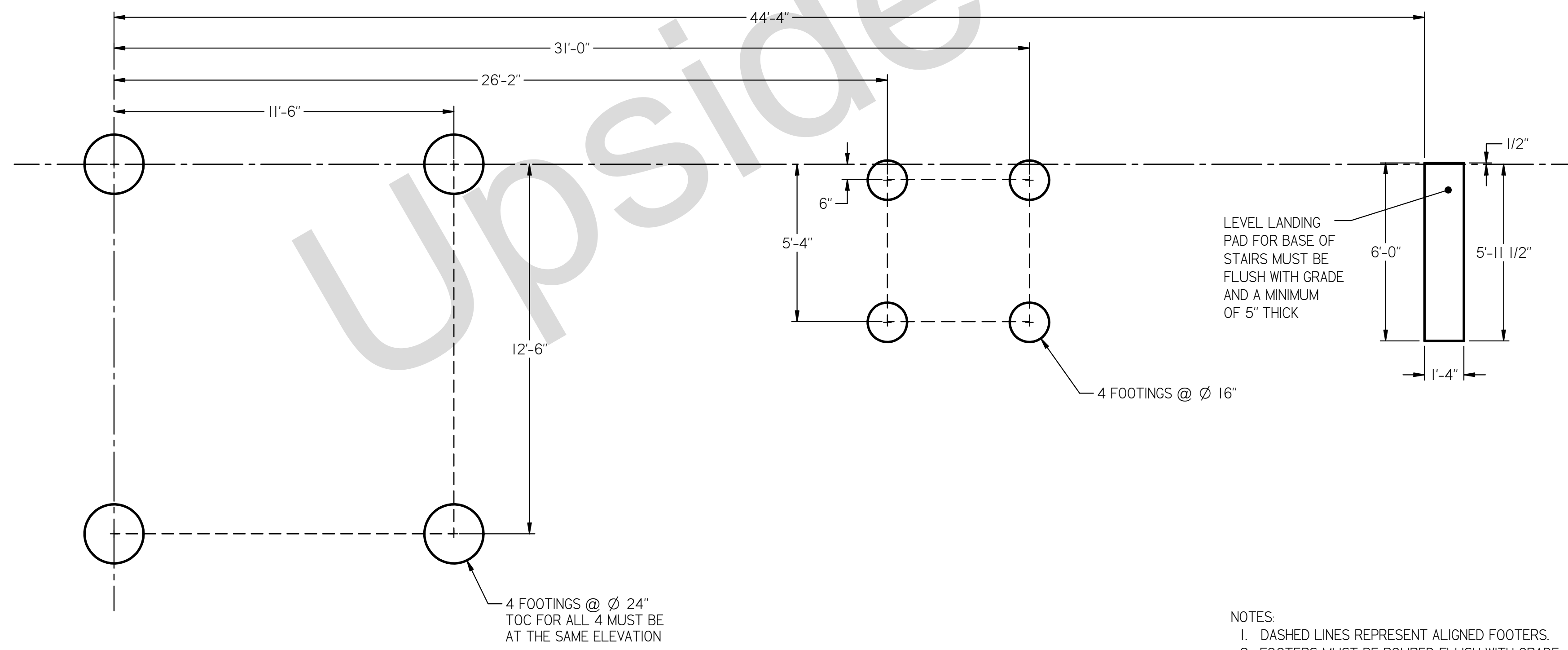
18' ADA STAIR TOWER WITH 12' X 12' OBSERVATION DECK AND 13' X 13' CANOPY



13' X 13' CANOPY OVER OBSERVATION DECK



STAIR TOWER FOOTING LAYOUT



- NOTES:
1. DASHED LINES REPRESENT ALIGNED FOOTERS.
  2. FOOTERS MUST BE POURED FLUSH WITH GRADE.
  3. FOOTERS ARE 24" DIA. MINIMUM UNLESS OTHERWISE SPECIFIED.
  4. FOOTER DEPTH MUST BE 36" MINIMUM.

- NOTES:
1. ALL GUTTERS ARE SUPPORTED BY 6" X 6" POSTS AT LOCATIONS SHOWN.
  2. WATER DRAINS THROUGH SUPPORT POSTS AND EXITS NEAR THE BOTTOM ABOVE GRADE.

DATE	REVISION	SCALE	DRAWN	CHECKED	TITLE	DATE	BY	REV	REVISION DESCRIPTION
		1/32							

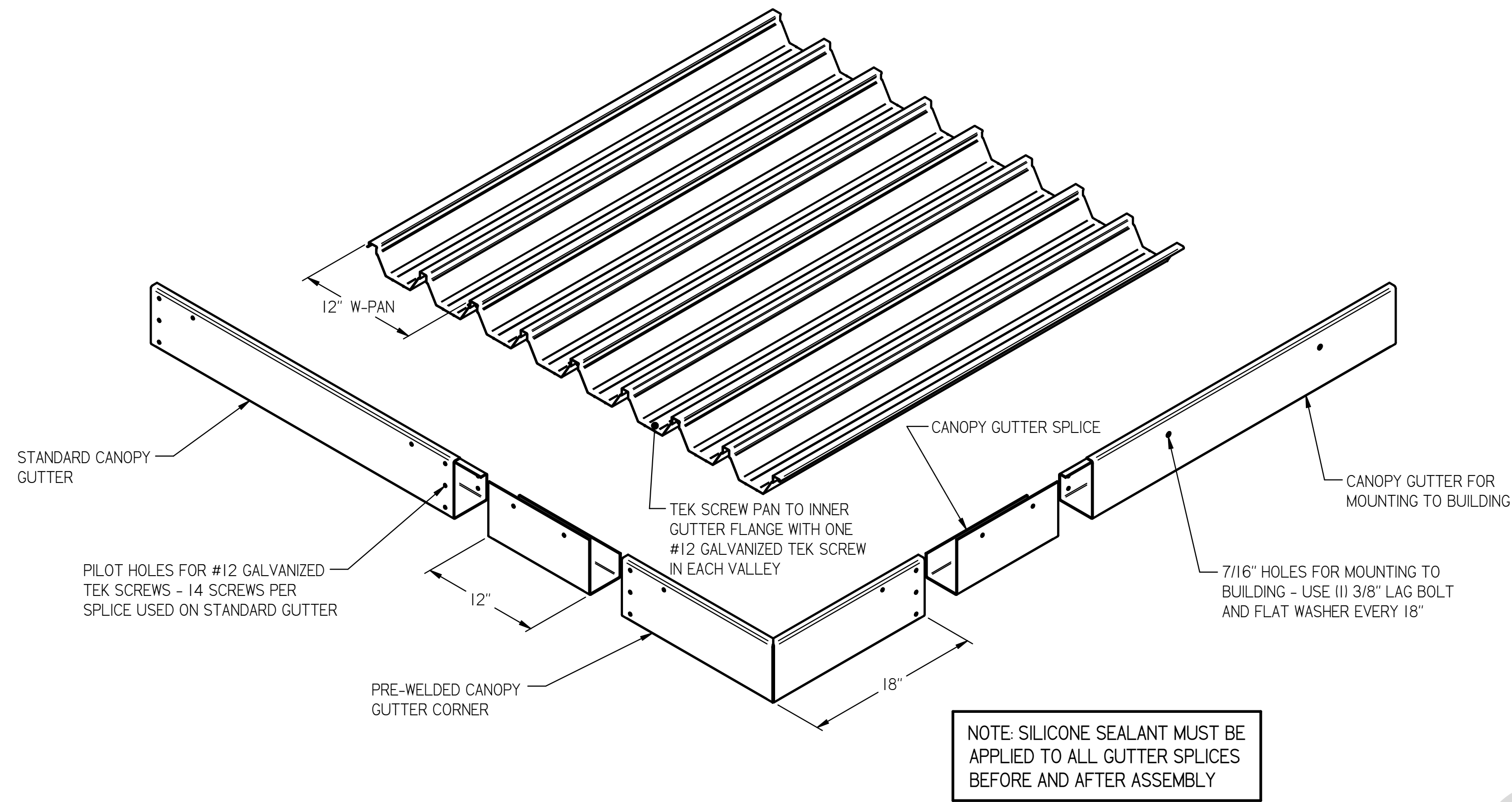
UPSIDE INNOVATIONS LLC  
CINCINNATI, OHIO  
WWW.UPSIDEINNOVATIONS.COM  
PHONE: (513) 889-2402 FAX: (513) 872-2124

ALL DIMENSIONS IN INCHES UNLESS OTHERWISE SPECIFIED  
XXX ± 0.060"  
XXXX ± 0.015"  
ANGLES ± 1°

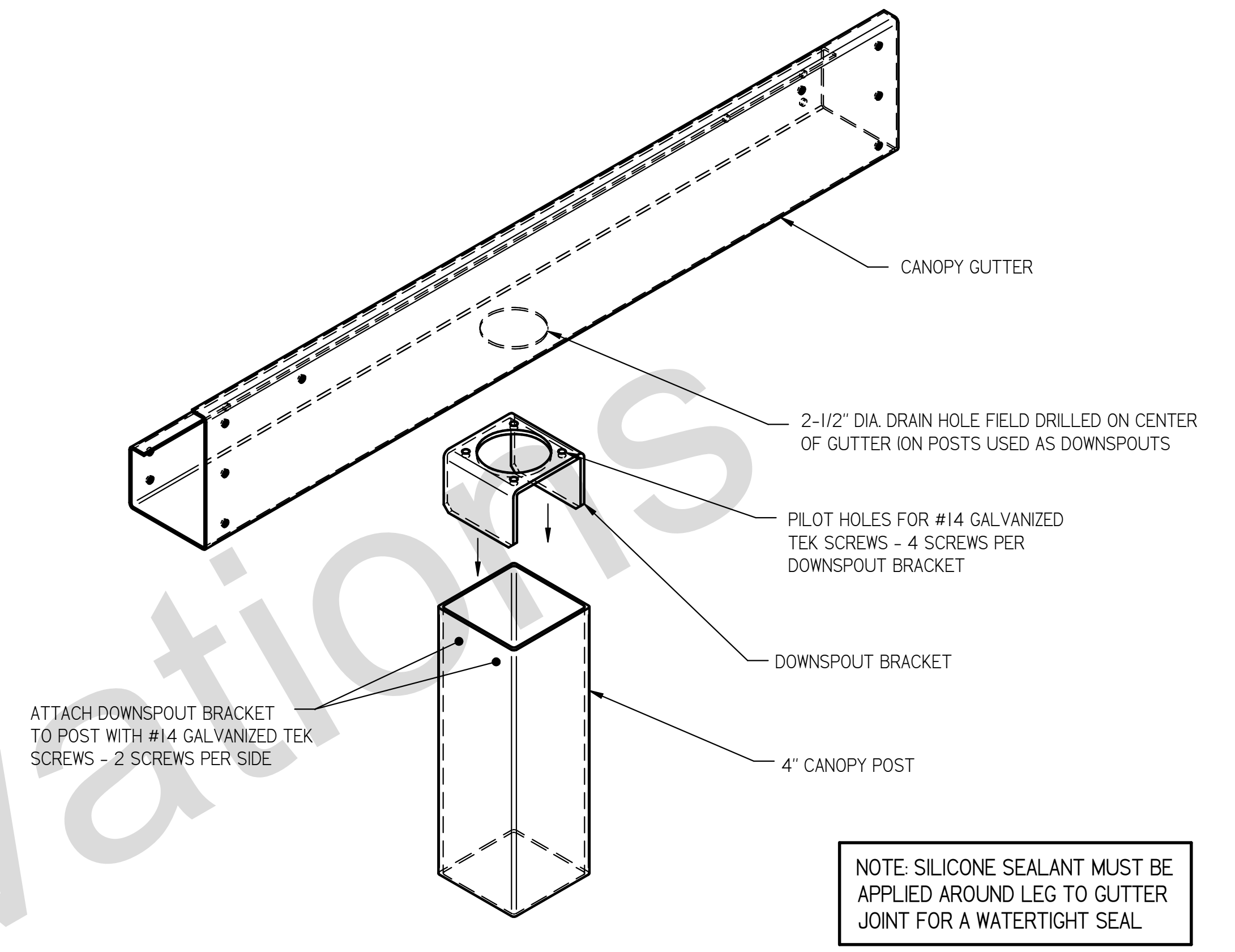
The concepts and designs shown here-in are the exclusive proprietary property of UPSIDE INNOVATIONS LLC and may not be copied or used in any manner without written permission from UPSIDE INNOVATIONS.

SHEET # 05

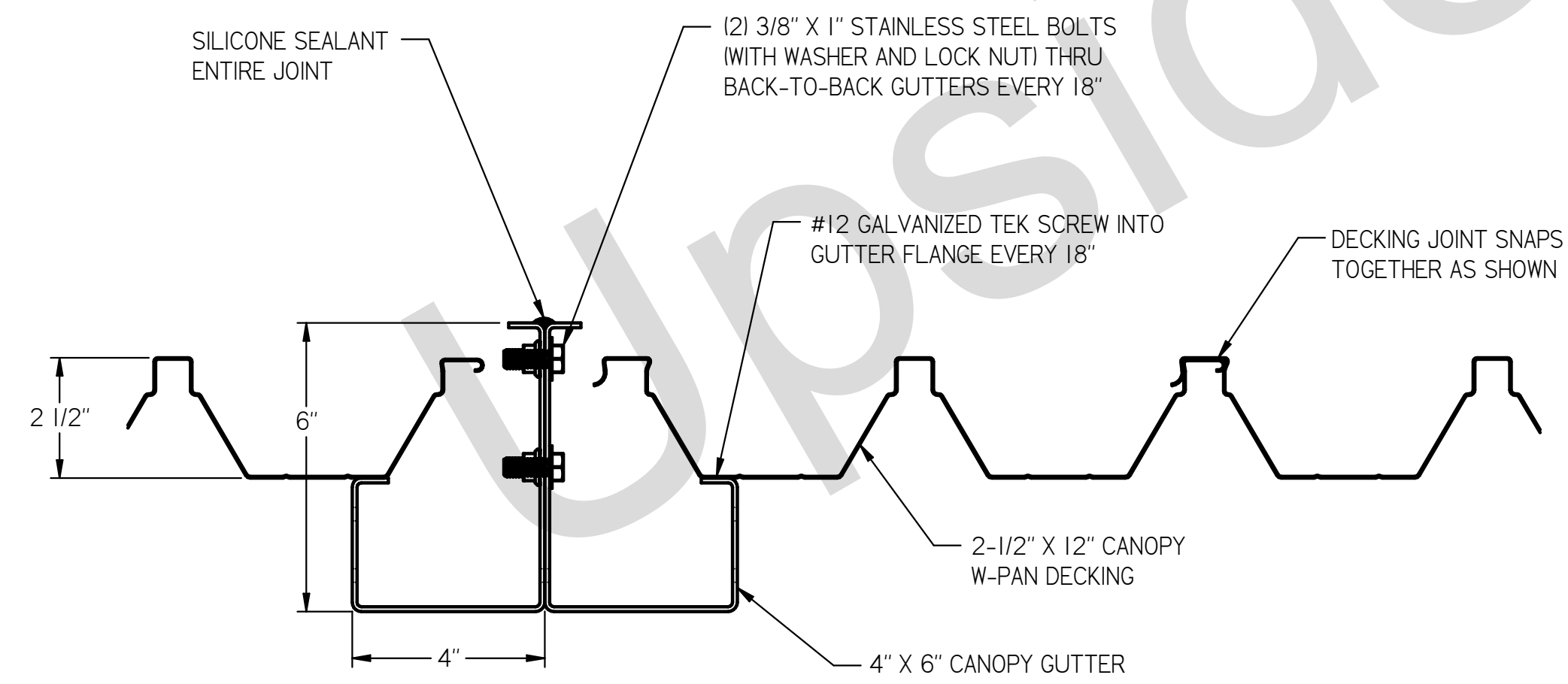
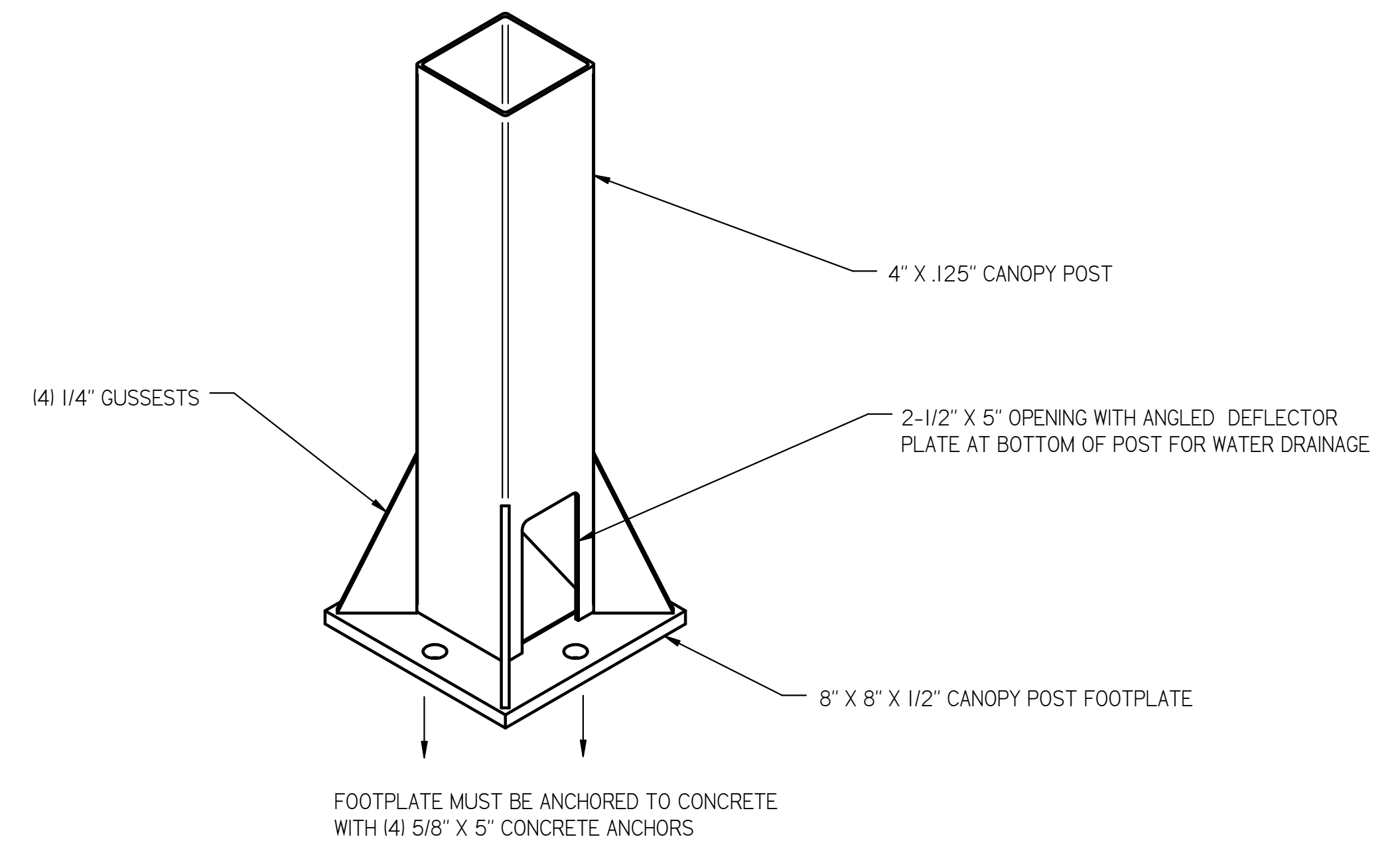
CANOPY TOP ASSEMBLY DETAIL



CANOPY POST TO GUTTER ASSEMBLY DETAIL



CANOPY POST FOOTPLATE DETAIL



CANOPY GUTTER JOINT DETAIL

TITLE: UPSIDE CANOPY ASSEMBLY DETAILS DATE: 3/3/17 REVISION: -- SCALE: N/A DRAWN: SRF CHECKED: KRS		P.O. BOX 428111 CINCINNATI, OHIO 45242 PHONE: (513) 484-7873 FAX: (513) 973-2724	ALL DIMENSIONS IN INCHES UNLESS OTHERWISE SPECIFIED XXX ± 0.06" FRACTIONAL ± 1/16" XXXX ± 0.30" ANGLES ± 1° DATE: BY: REV: REVISION DESCRIPTION
SITE: D		The concepts and designs shown here-in are the exclusive proprietary property of UPSIDE INNOVATIONS LLC and may not be copied or used in any manner without written permission from UPSIDE INNOVATIONS.	