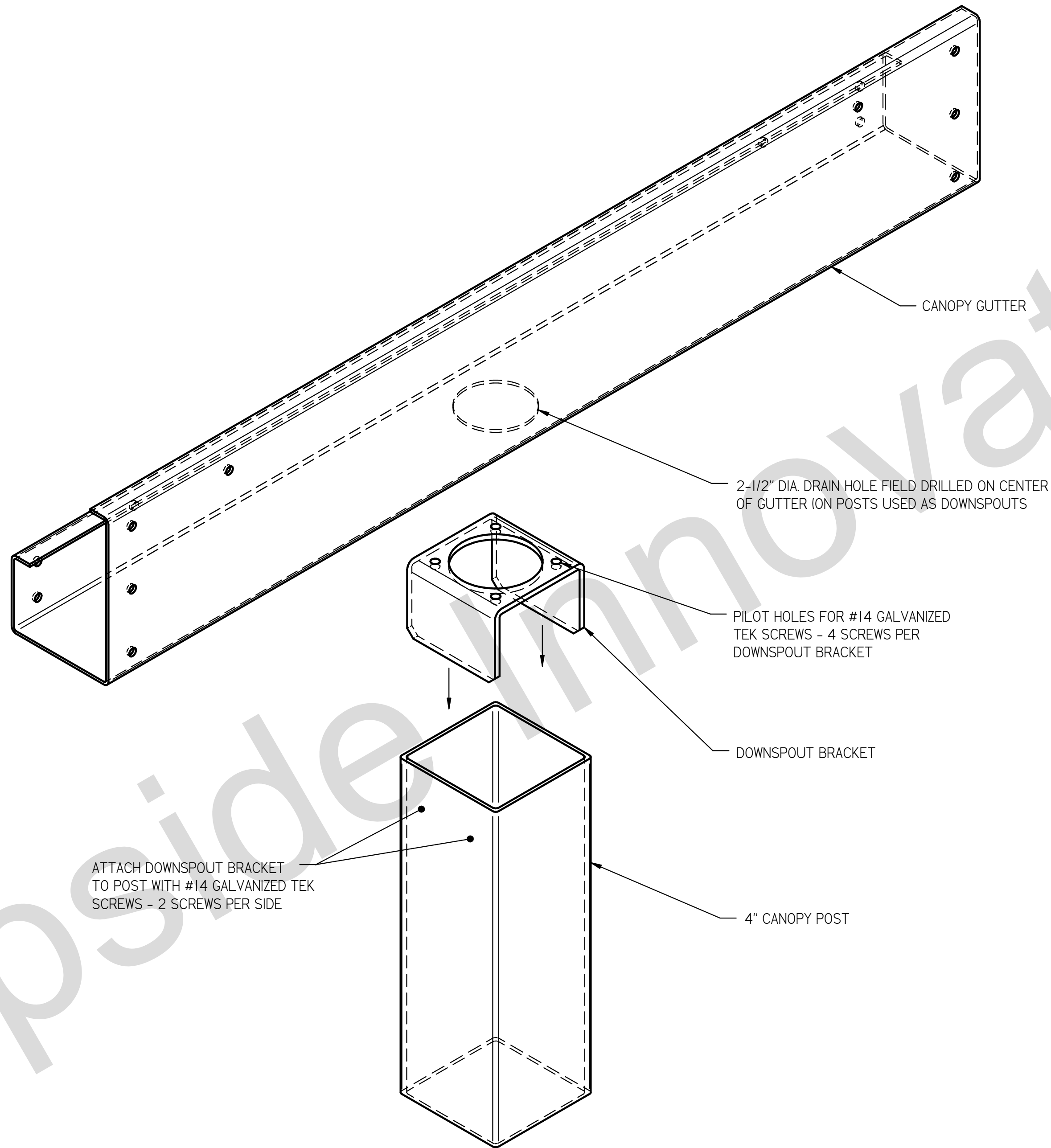


NOTE: SILICONE SEALANT MUST BE APPLIED TO ALL GUTTER SPLICES BEFORE AND AFTER ASSEMBLY

CANOPY GUTTER JOINT DETAIL


DWG #	CANOPY TOP RF FP	<p>UPSIDE INNOVATIONS LLC CINCINNATI, OHIO WWW.UPSIDENOVATIONS.COM PHONE: (513) 889-2492 FAX: (513) 672-2124</p>	ALL DIMENSIONS IN INCHES		XXX ± 0.06"	FRACTIONAL ± 1/16"
DATE	4/2/19		UNLESS OTHERWISE SPECIFIED		XXXX ± 0.030"	ANGLES ± 1°
REVISION	--		DATE	BY	REV	REVISION DESCRIPTION
SCALE	N/A					
DRAWN	SRF					
CHECKED	KRS					
TITLE	UPSIDE CANOPY DETAIL - CANOPY TOP CONSTRUCTION WITH ROLL FORM FLAT PAN DECKING	SIZE	C			

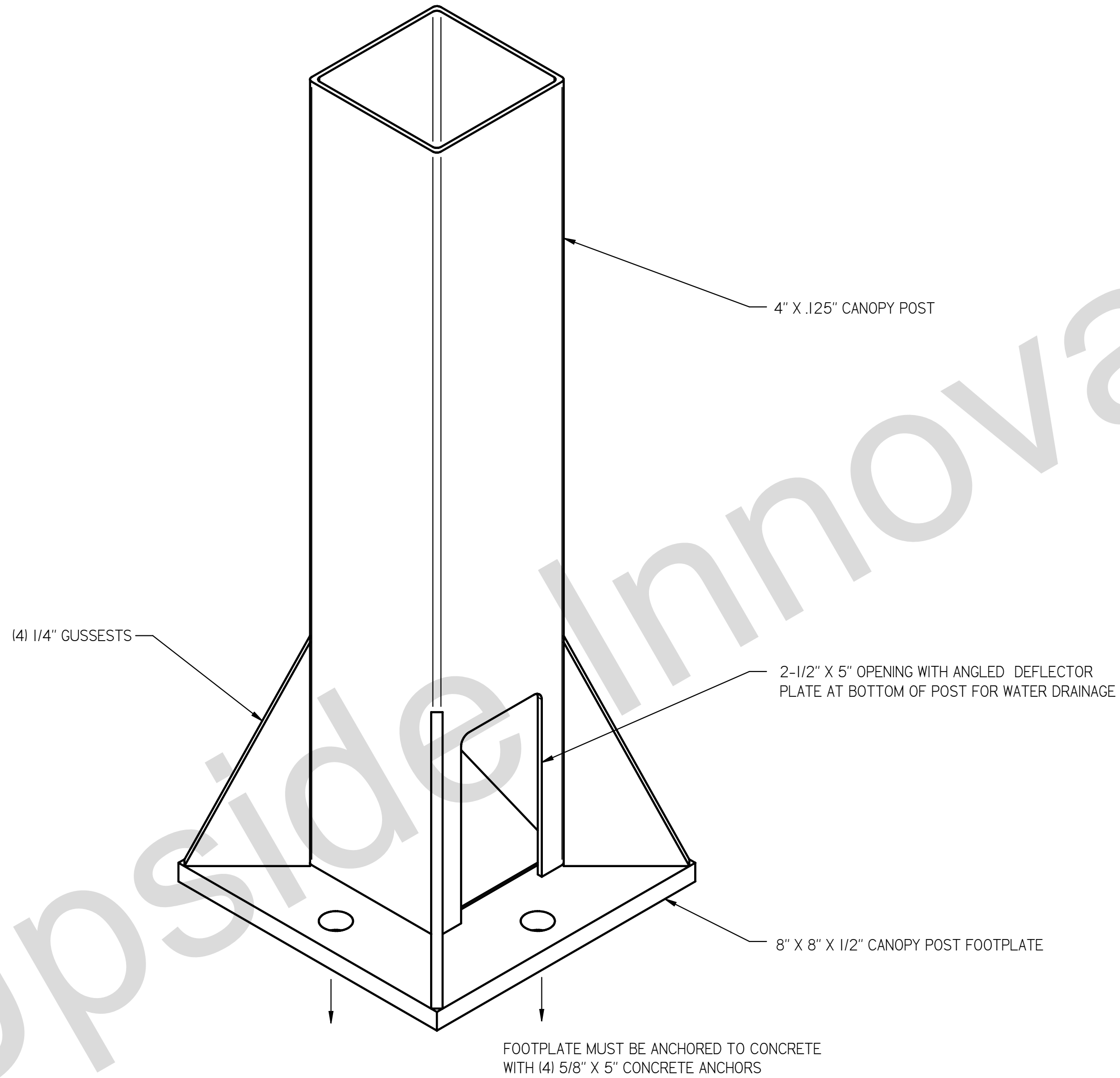
The concepts and designs shown here-in are the exclusive proprietary property of UPSIDE INNOVATIONS LLC and may not be copied or used in any manner without written permission from UPSIDE INNOVATIONS.



ATTACH DOWNSPOUT BRACKET
TO POST WITH #14 GALVANIZED TEK
SCREWS - 2 SCREWS PER SIDE

NOTE: SILICONE SEALANT MUST BE
APPLIED AROUND LEG TO GUTTER
JOINT FOR A WATERTIGHT SEAL

DWG #	CANOPY POST	ALL DIMENSIONS IN INCHES UNLESS OTHERWISE SPECIFIED		XXX ± 0.06" XXXX ± 0.030"	FRACTIONAL ± 1/16" ANGLES ± 1°
DATE	7/27/11	 P.O. BOX 428511 - CINCINNATI, OHIO 45242 PHONE: (513) 404-7073 FAX: (513) 672-2124			
REVISION	A				
SCALE	1:3				
DRAWN	SRF				
CHECKED	KRS				
TITLE	UPSIDE CANOPY DETAIL - CANOPY GUTTER TO POST ASSEMBLY	SIZE	C		
<small>The concepts and designs shown here-in are the exclusive proprietary property of UPSIDE INNOVATIONS LLC and may not be copied or used in any manner without written permission from UPSIDE INNOVATIONS.</small>					



DWG # CANOPY FOOTPLATE		 UPSIDE INNOVATIONS LLC P.O. BOX 428511 - CINCINNATI, OHIO 45242 PHONE: (513) 404-7073 FAX: (513) 672-2124	ALL DIMENSIONS IN INCHES		XXX ± 0.06"	FRACTIONAL ± 1/16"	
DATE	9/27/11		UNLESS OTHERWISE SPECIFIED		XXXX ± 0.030"	ANGLES ± 1°	
REVISION	--		DATE	BY	REV	REVISION DESCRIPTION	
SCALE	1:2						
DRAWN	SRF						
CHECKED	KRS						
TITLE		UPSIDE CANOPY DETAIL - CANOPY FOOTPLATE ASSEMBLY		SIZE	C		
<small>The concepts and designs shown here-in are the exclusive proprietary property of UPSIDE INNOVATIONS LLC and may not be copied or used in any manner without written permission from UPSIDE INNOVATIONS.</small>							