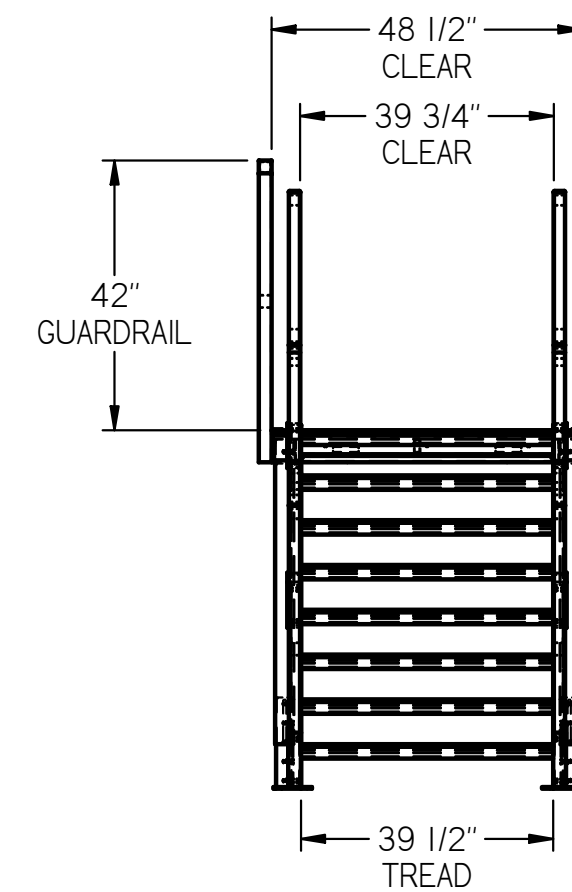
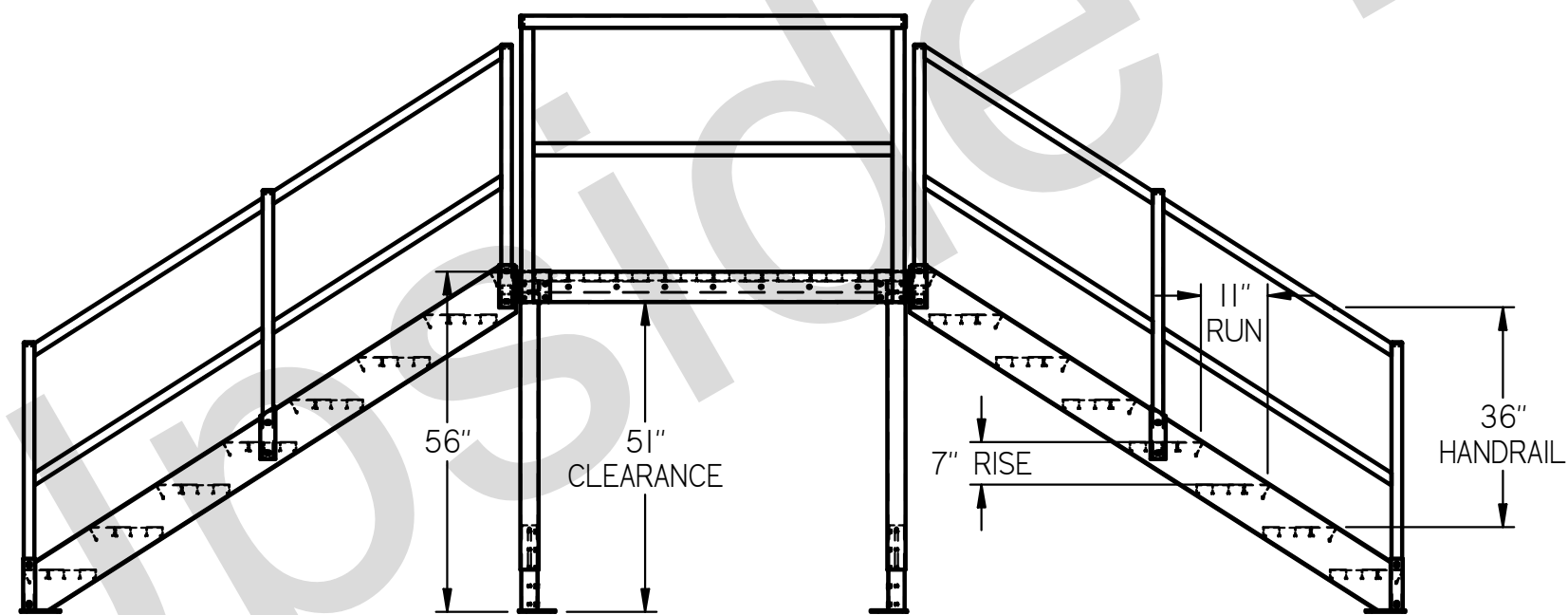
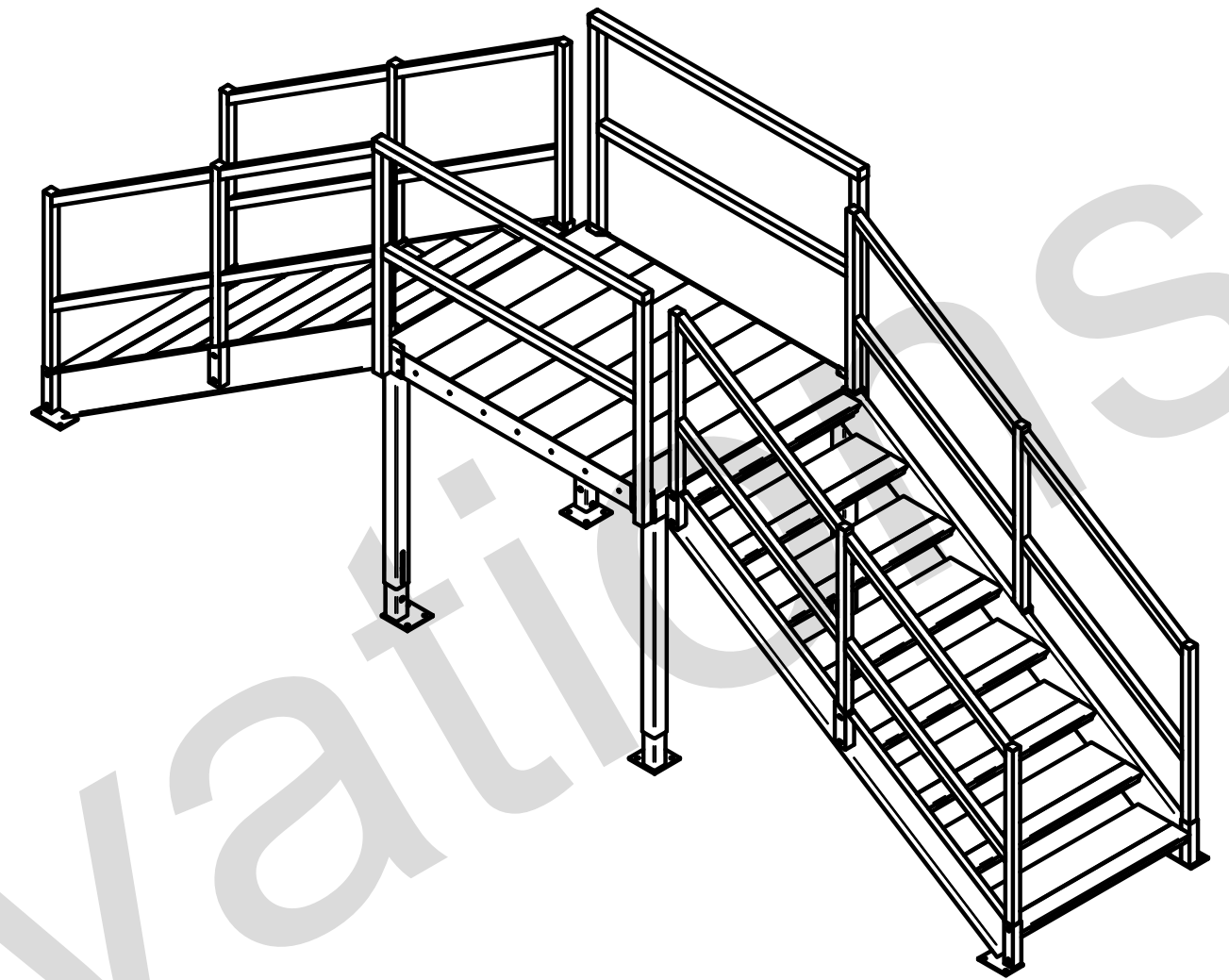
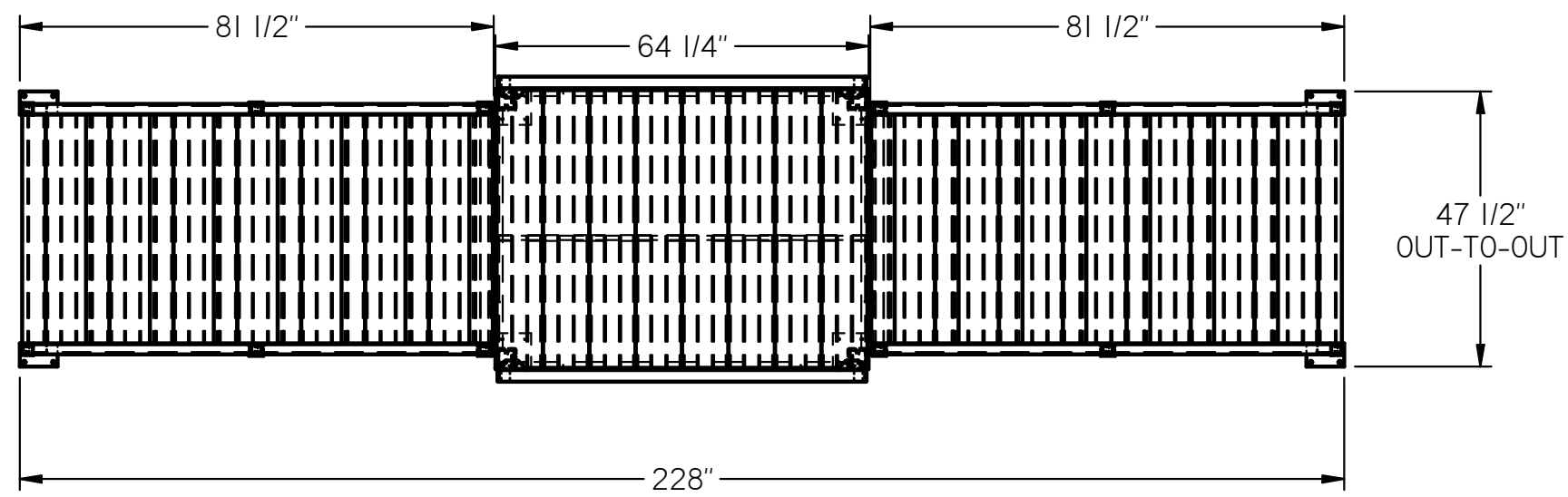


56" CROSSOVER STEP



ALL ALUMINUM CONSTRUCTION WITH STAINLESS STEEL HARDWARE.

APPROXIMATE WEIGHT AS SHOWN: 420 LBS.

DWG # 12894	<p>UPSIDE INNOVATIONS LLC CINCINNATI, OHIO WWW.UPSIDENOVATIONS.COM PHONE: (513) 889-2492 FAX: (513) 672-2124</p>	ALL DIMENSIONS IN INCHES		XXX ± 0.06"	FRACTIONAL ± 1/16"	
DATE 9/8/17		UNLESS OTHERWISE SPECIFIED		XXXX ± 0.030"	ANGLES ± 1°	
REVISION --		DATE	BY	REV	REVISION DESCRIPTION	
SCALE 1:30						
DRAWN JKW						
CHECKED SRF						
TITLE DEPAUL UNIVERSITY - CHICAGO, IL	SIZE	C				
The concepts and designs shown here-in are the exclusive proprietary property of UPSIDE INNOVATIONS LLC and may not be copied or used in any manner without written permission from UPSIDE INNOVATIONS.						
					SHEET # 03	