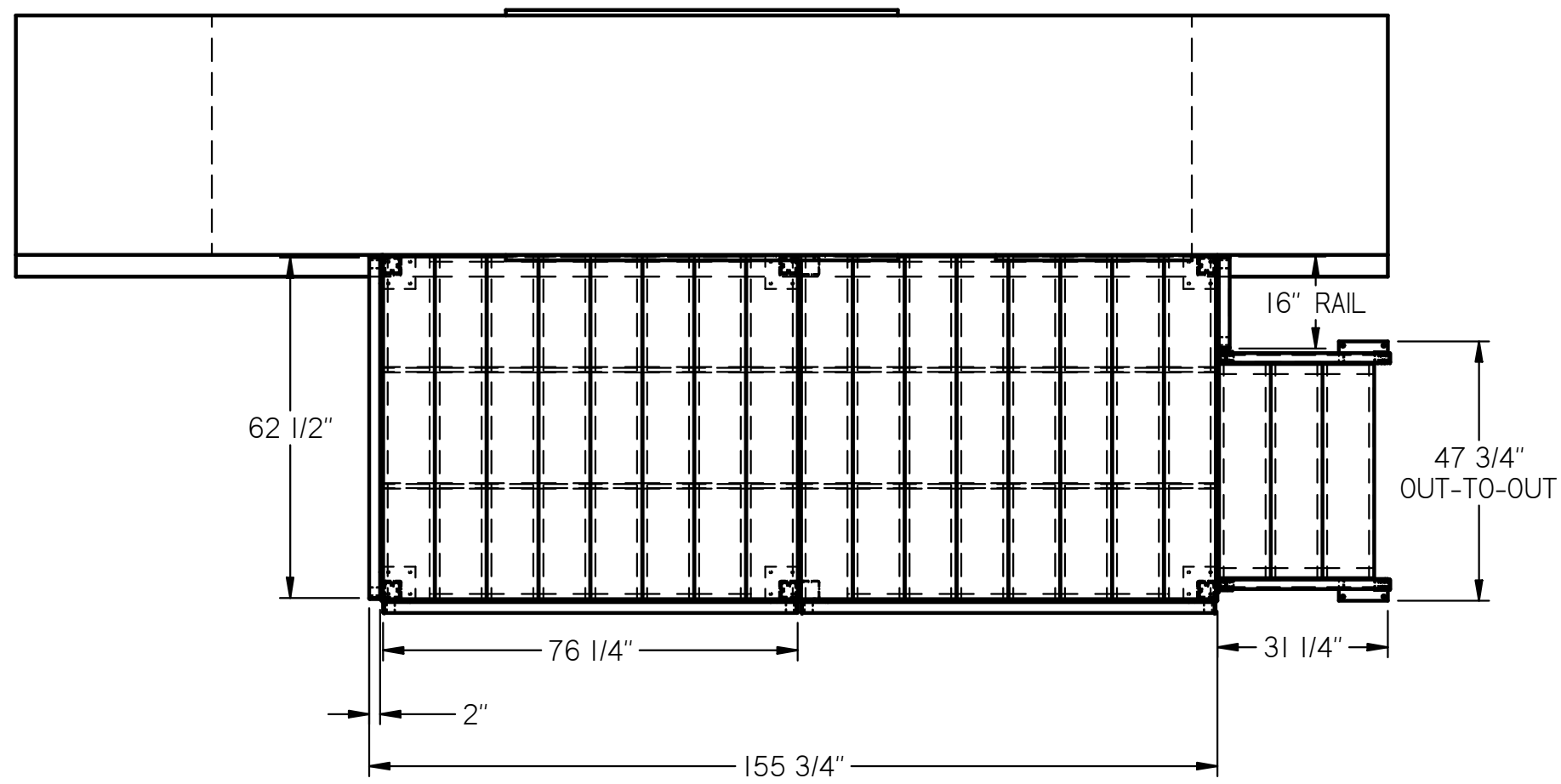
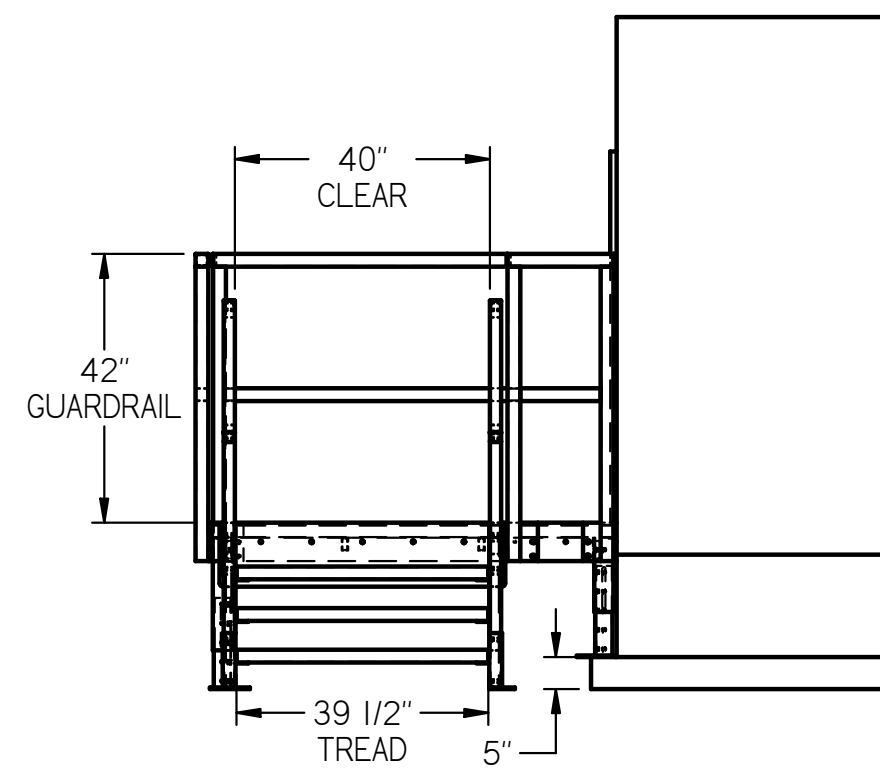
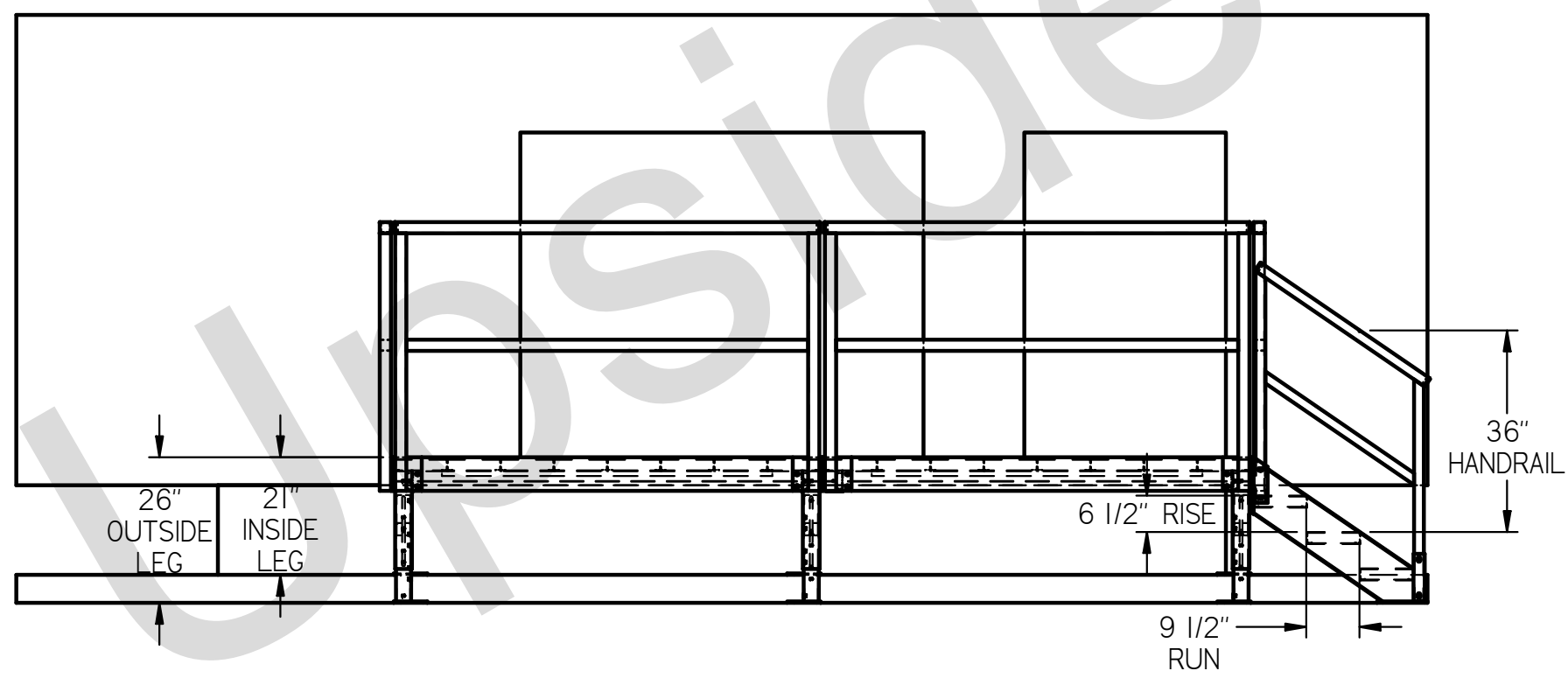
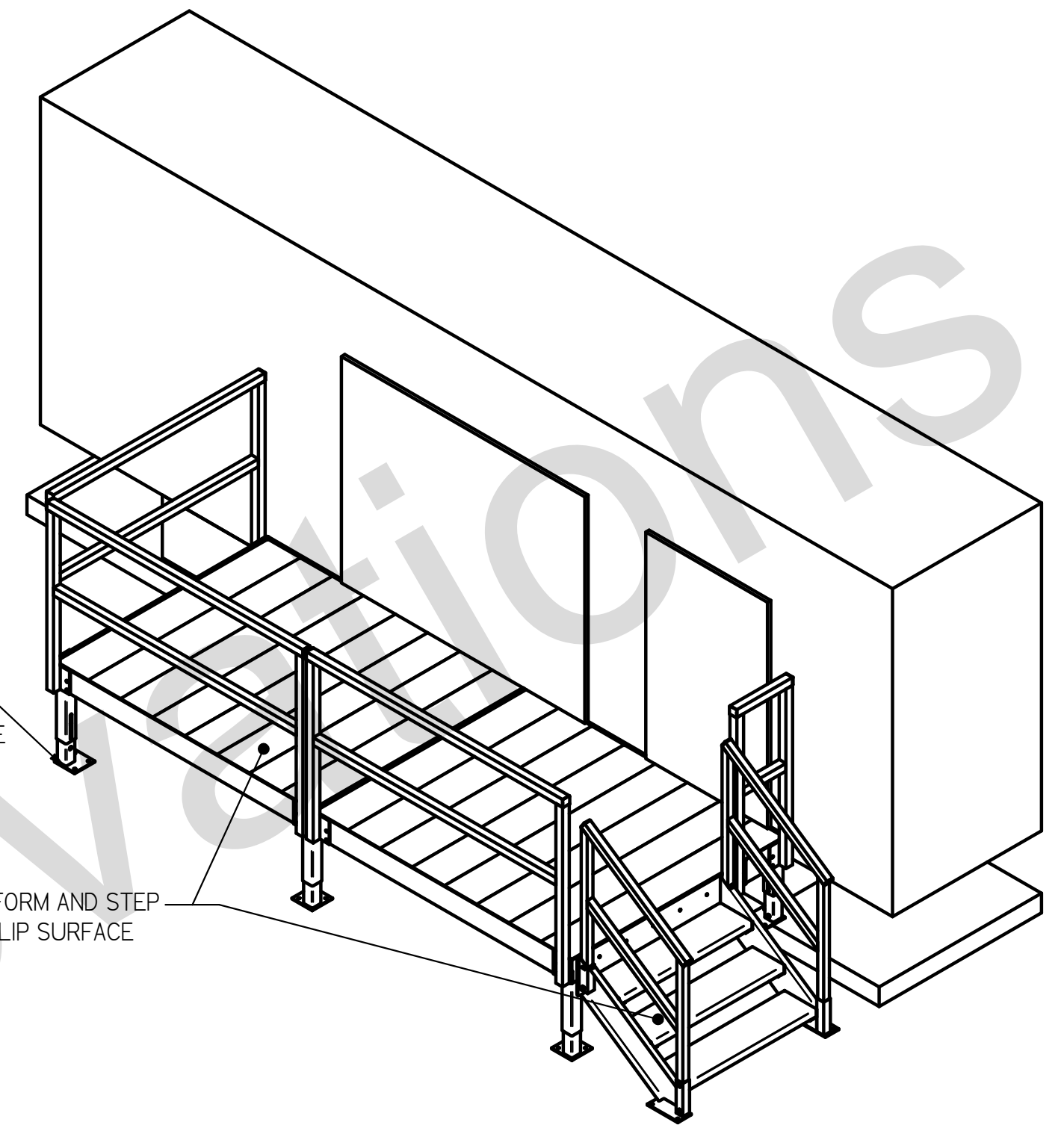


FRONT OF GENERATOR PLATFORM



ADJUSTABLE PLATFORM LEGS TO MATCH SIDE GRADE

GRIP STRUT PLATFORM AND STEP TREAD FOR NON-SLIP SURFACE

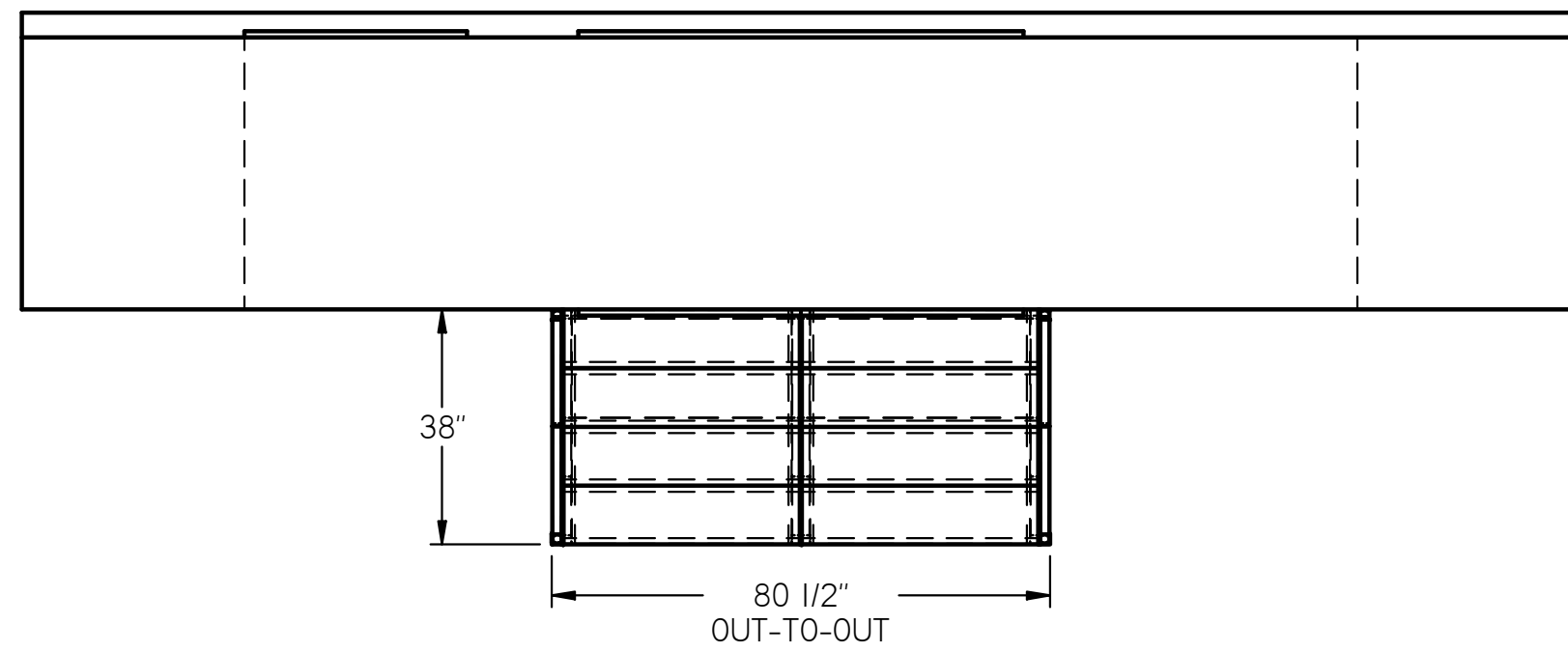


ALL ALUMINUM CONSTRUCTION WITH STAINLESS STEEL HARDWARE.

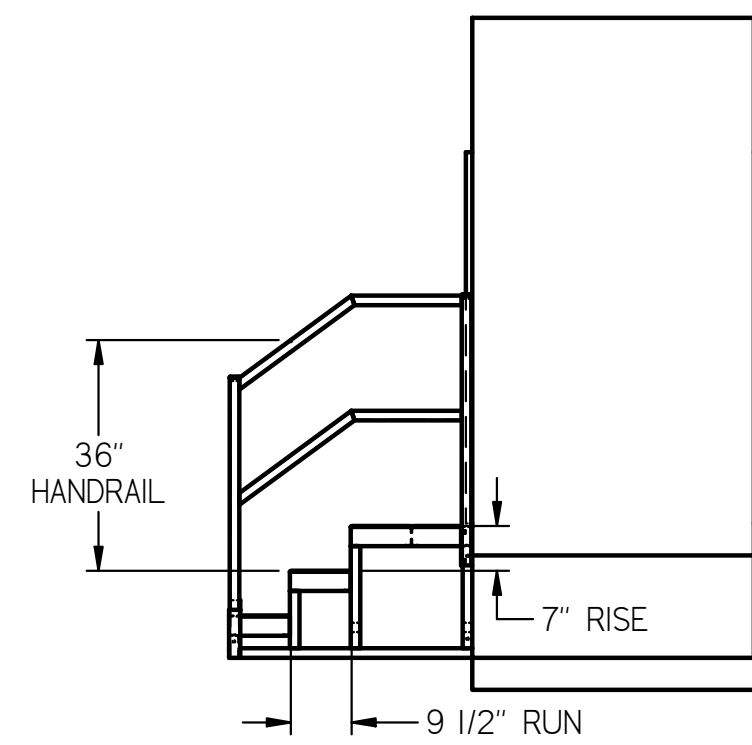
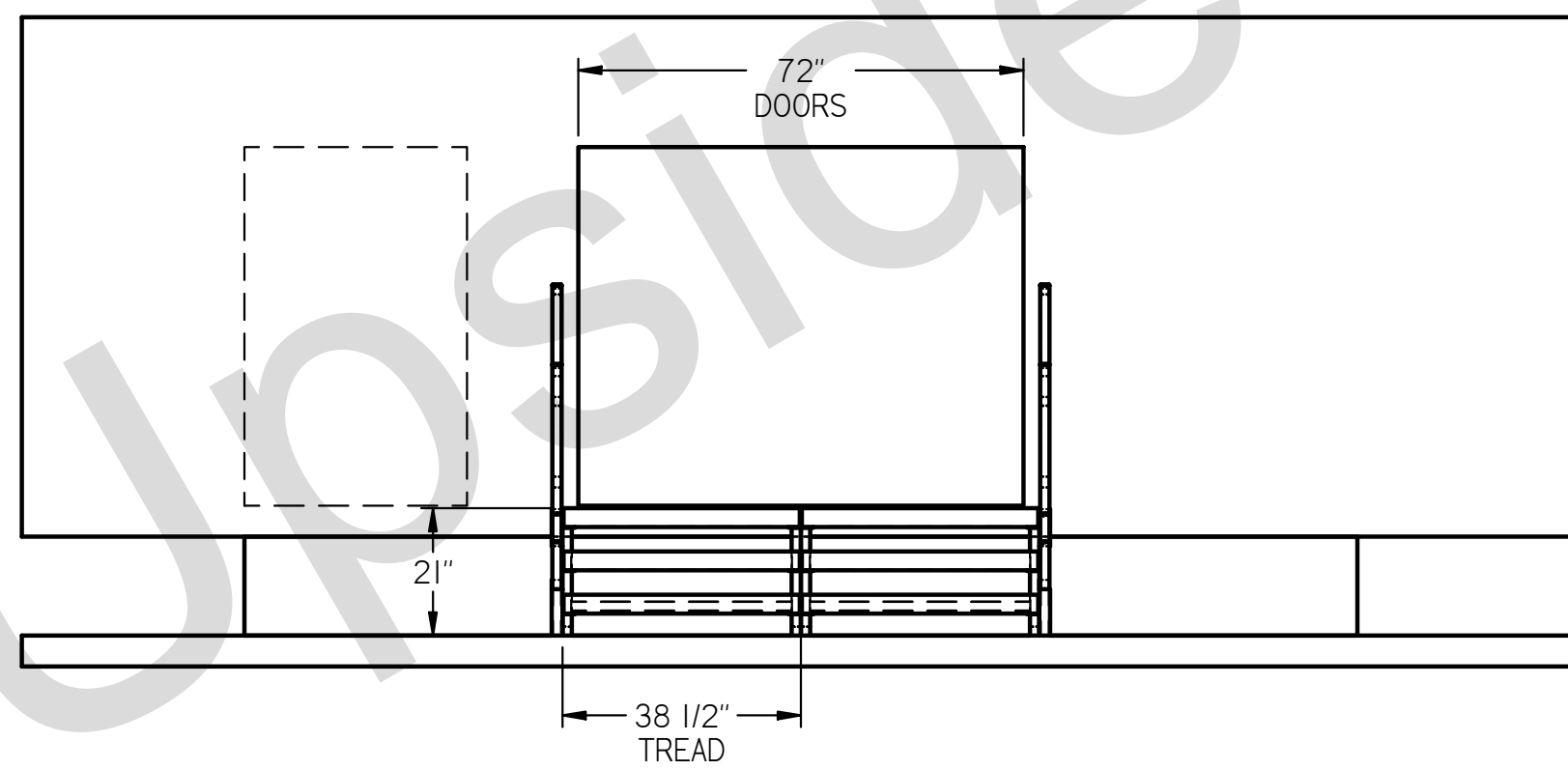
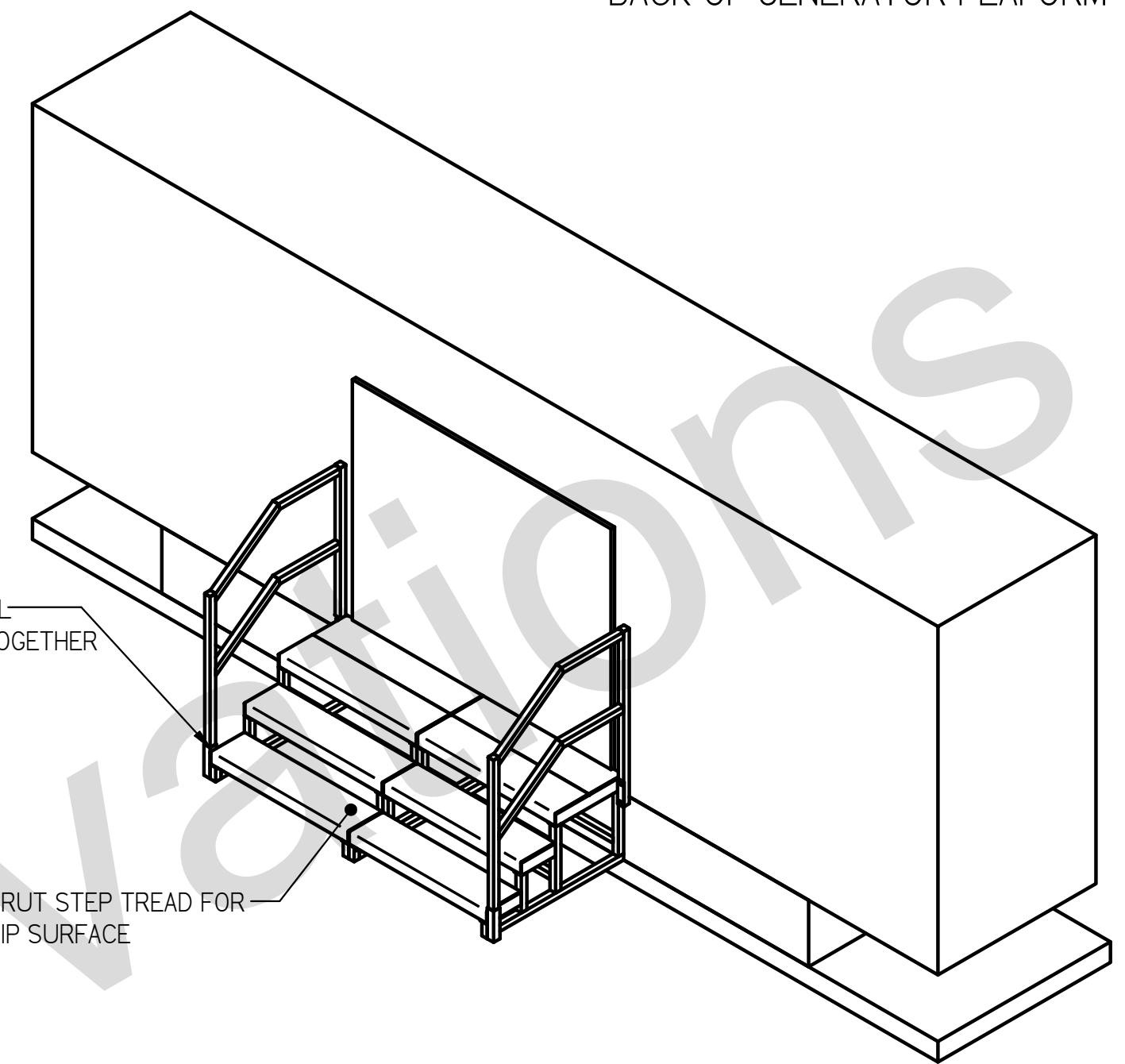
APPROXIMATE WEIGHT AS SHOWN: 385 LBS.

DWG # 12781	<p>UPSIDE INNOVATIONS LLC CINCINNATI, OHIO WWW.UPSIDENOVATIONS.COM PHONE: (513) 889-2492 FAX: (513) 672-2124</p>	ALL DIMENSIONS IN INCHES UNLESS OTHERWISE SPECIFIED		XXX ± 0.06"	FRACTIONAL ± 1/16"
DATE 7/28/17		DATE	BY	REV	REVISION DESCRIPTION
REVISION A		8/2/17	JW	A	WIDENED GRIP STRUT STEP TO 40"
SCALE 1:30					
DRAWN JKW					
CHECKED SRF					
TITLE	SIZE C				

The concepts and designs shown here-in are the exclusive proprietary property of UPSIDE INNOVATIONS LLC and may not be copied or used in any manner without written permission from UPSIDE INNOVATIONS.



REAR STEP MADE FROM TWO INDIVIDUAL 21" TRAILER STEPS THAT WILL BOLT TOGETHER TO MAKE ONE SIGULAR TRAILER STEP



ALL ALUMINUM CONSTRUCTION WITH STAINLESS STEEL HARDWARE.  
APPROXIMATE WEIGHT AS SHOWN: 90 LBS.

DWG # 12781	<p>UPSIDE INNOVATIONS LLC CINCINNATI, OHIO WWW.UPSIDENOVATIONS.COM PHONE: (513) 889-2492 FAX: (513) 672-2124</p>	ALL DIMENSIONS IN INCHES UNLESS OTHERWISE SPECIFIED	XXX ± 0.06" XXXX ± 0.030"	FRACTIONAL ± 1/16" ANGLES ± 1°	
DATE 7/28/17		DATE	BY	REV	
REVISION --					REVISION DESCRIPTION
SCALE 1:30					
DRAWN JKW					
CHECKED SRF					
TITLE	SIZE				
	C				