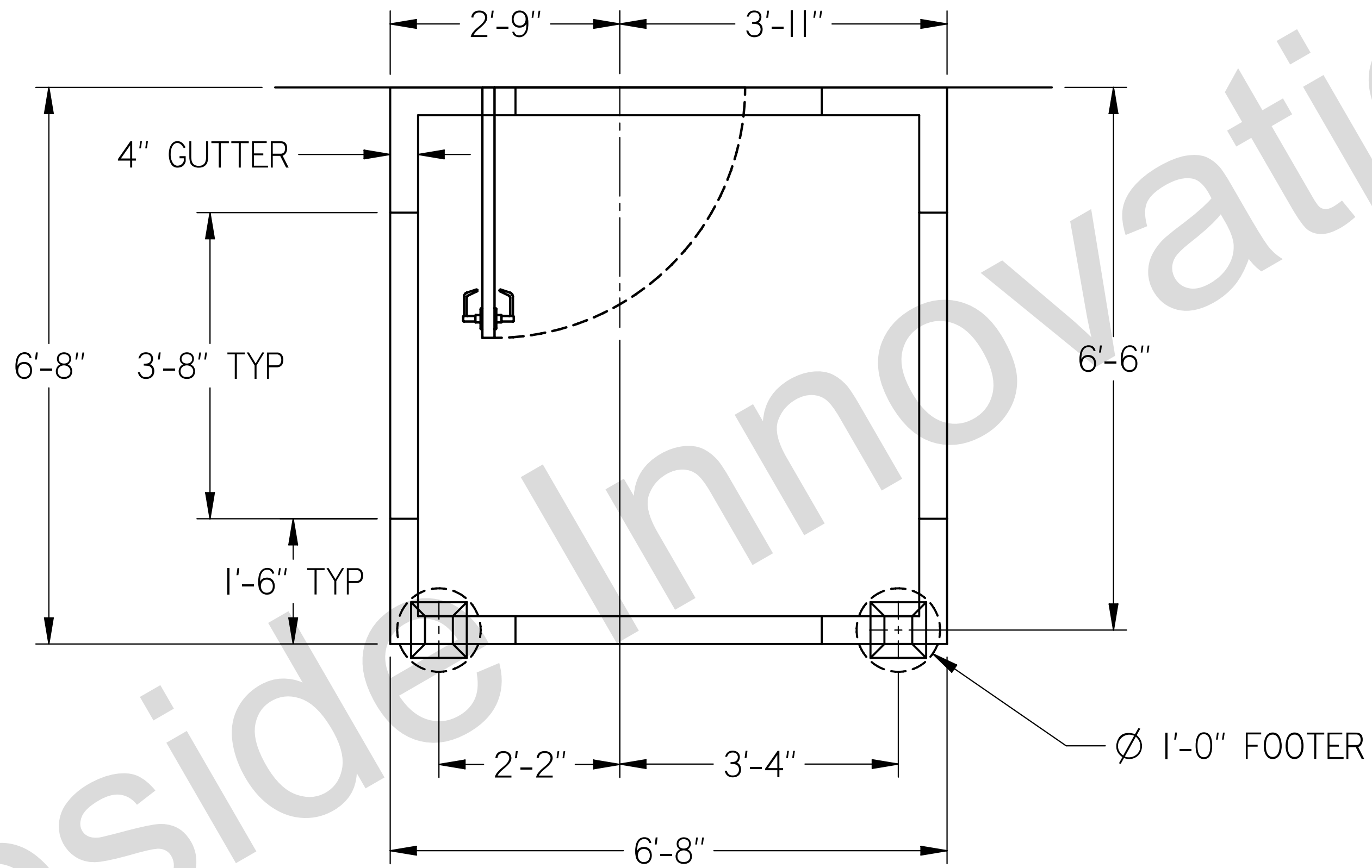



6'-8" X 6'-8" CANOPY OVER
PLATFORM AT TOP OF RAMP

QTY: 2 AS SHOWN



DWG # 10077	 UPSIDE INNOVATIONS LLC P.O. BOX 428511 - CINCINNATI, OHIO 45242 PHONE: (513) 404-7073 FAX: (513) 672-2124	ALL DIMENSIONS IN INCHES		XXX ± 0.060"	
DATE 9/26/11		UNLESS OTHERWISE SPECIFIED		XXXX ± 0.015"	
REVISION --		DATE	BY	REV	REVISION DESCRIPTION
SCALE N/A					
DRAWN SRF					
CHECKED KRS					
TITLE	SIZE				
	C				
The concepts and designs shown here-in are the exclusive proprietary property of UPSIDE INNOVATIONS LLC and may not be copied or used in any manner without written permission from UPSIDE INNOVATIONS.				SHEET #	
				03	