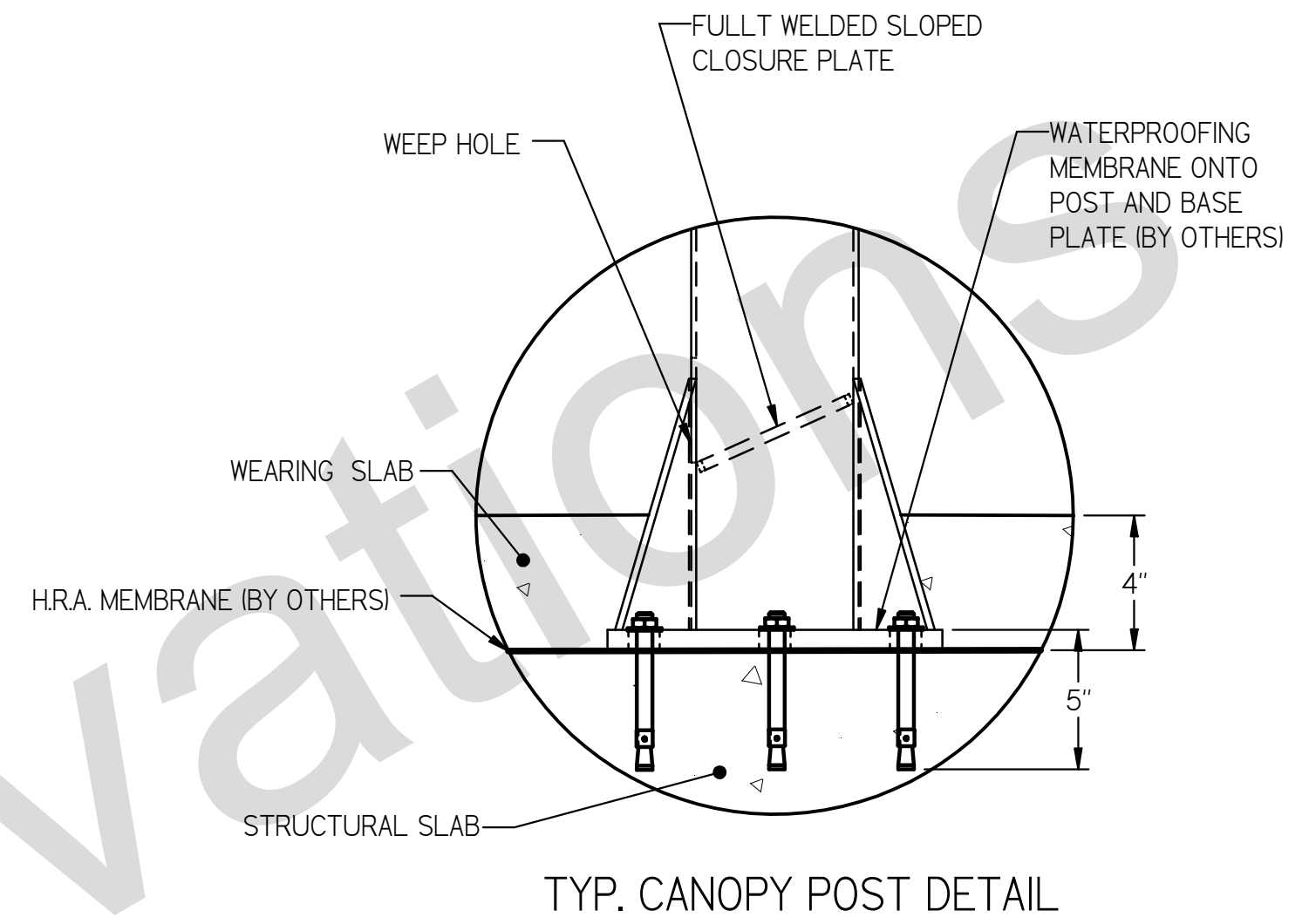
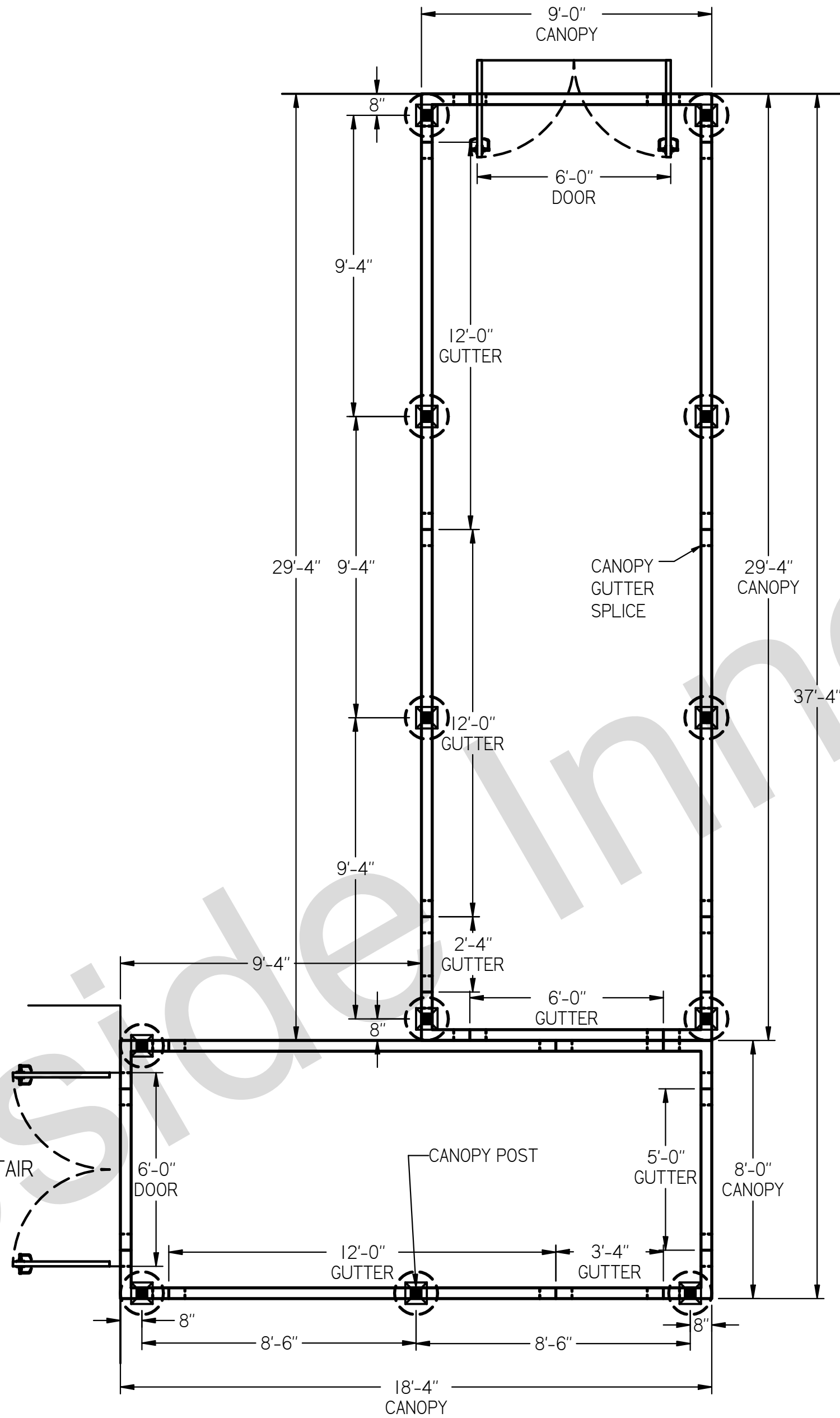


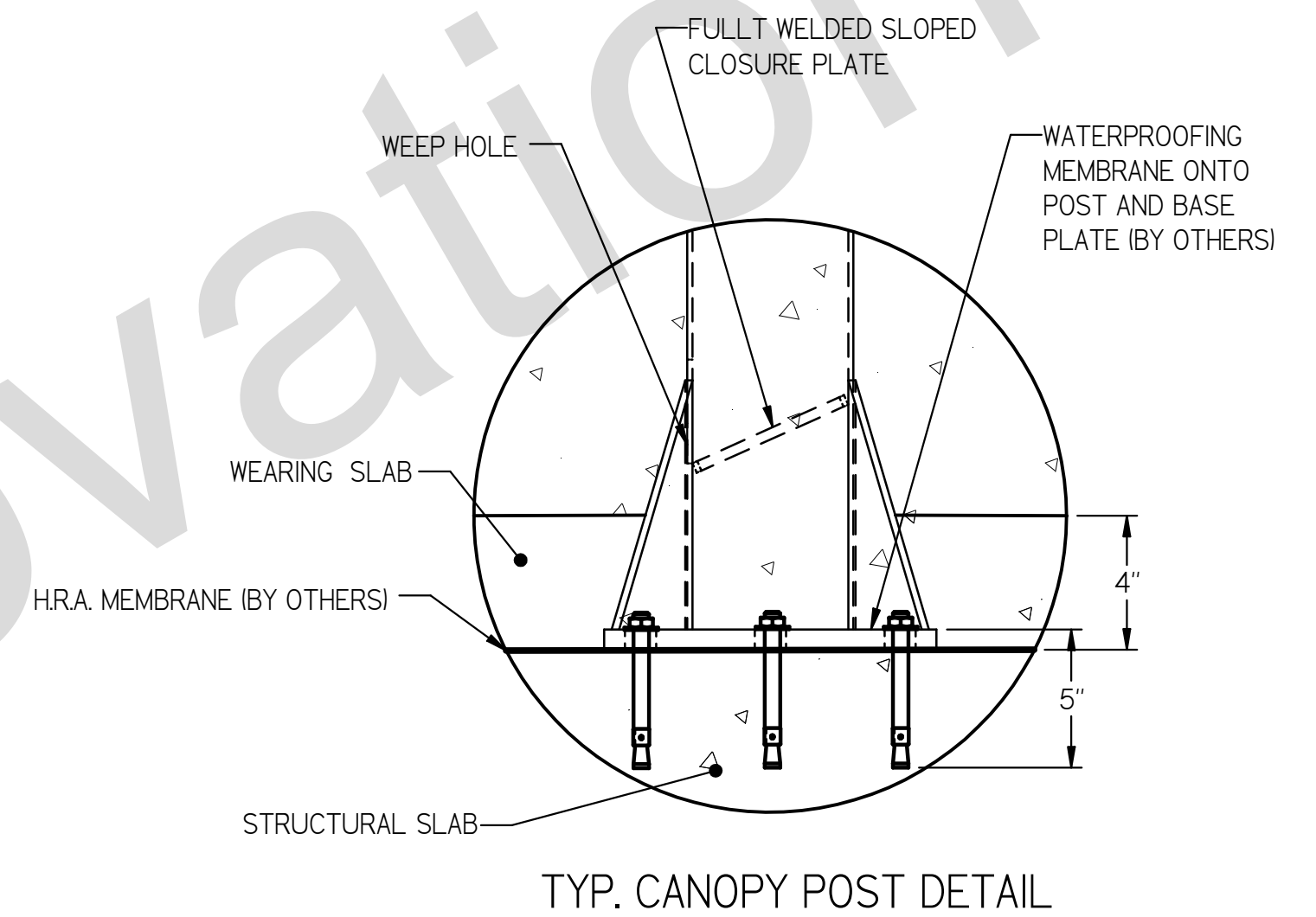
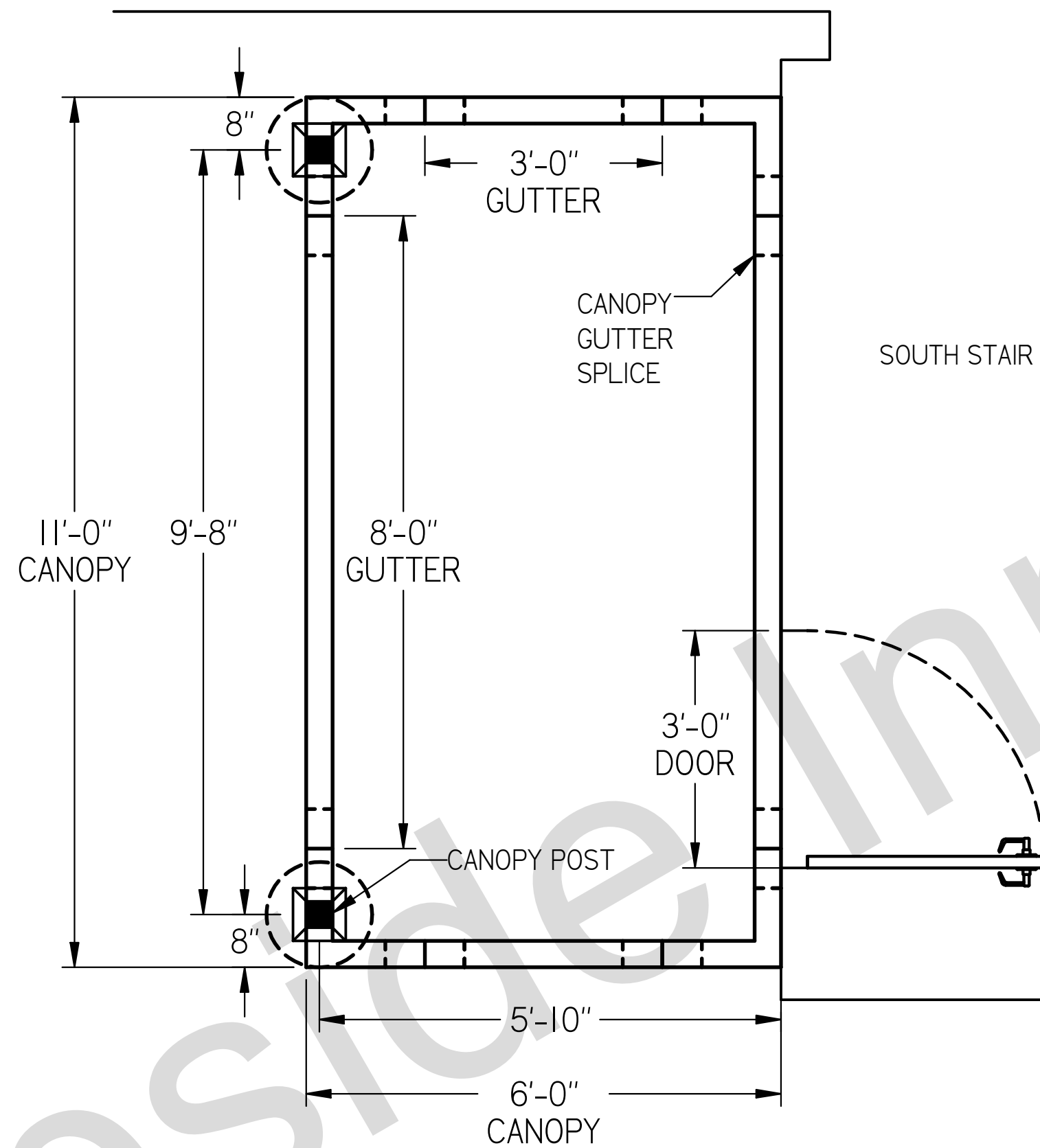
NORTH STAIR CANOPY LAYOUT



- NOTES:
1. CANOPY GUTTER ALONG BUILDING WALL MUST BE LAG BOLTED TO STUDS OR HEADER IN BUILDING WALL (UNLESS IT IS FREE STANDING).
  2. ALL OTHER GUTTERS ARE SUPPORTED BY 4" X 4" POSTS AT LOCATIONS SHOWN.
  3. WATER DRAINS THROUGH SUPPORT POSTS AND EXITS NEAR THE BOTTOM ABOVE GRADE.

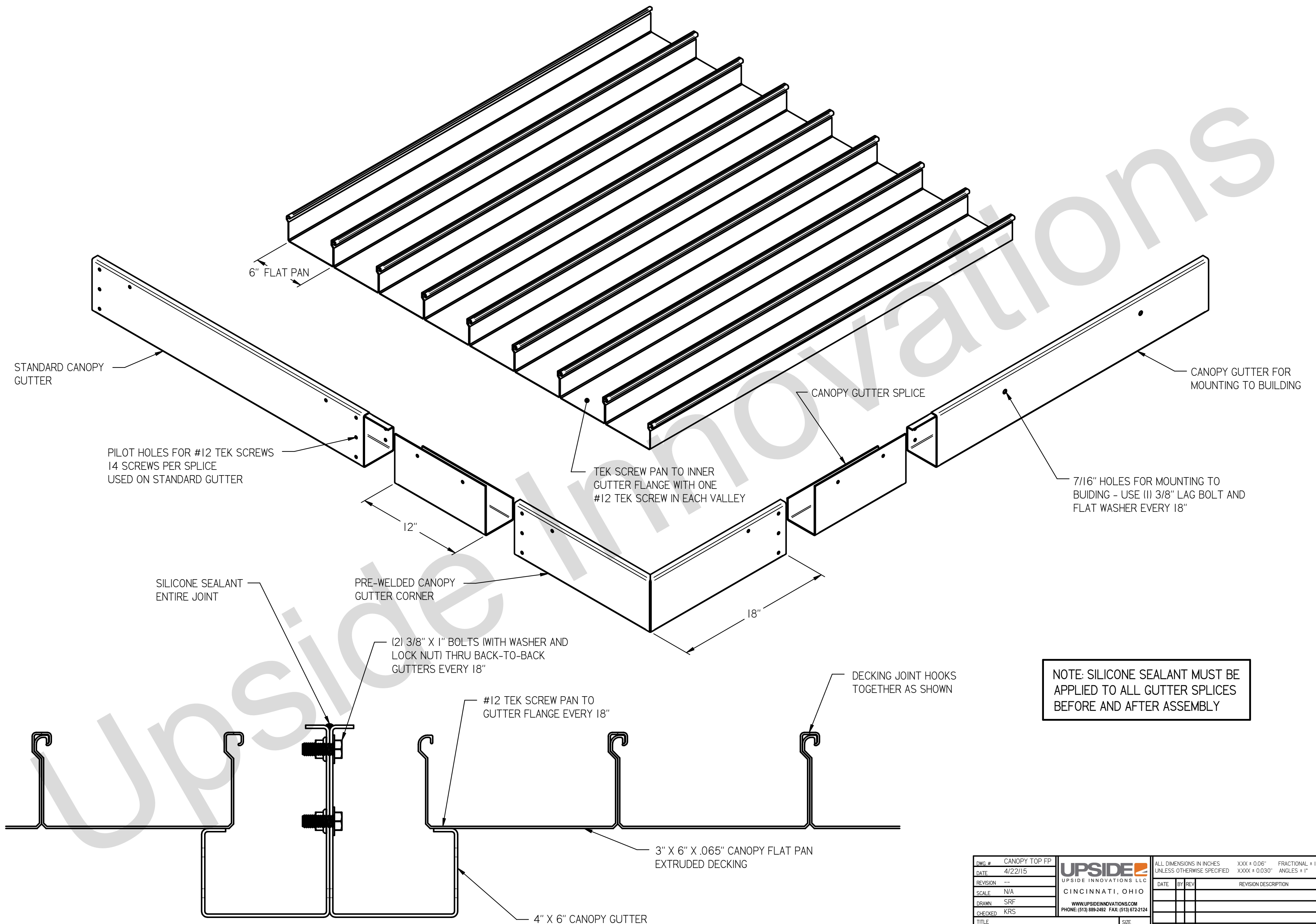
DWG #	15-07-001	<p>UPSIDE INNOVATIONS LLC CINCINNATI, OHIO WWW.UPSIDENOVATIONS.COM PHONE: (513) 889-2492 FAX: (513) 672-2124</p>	ALL DIMENSIONS IN INCHES UNLESS OTHERWISE SPECIFIED	XXX ± 0.060" XXXX ± 0.015" ANGLES ± 1°	
DATE	12/21/15		DATE	BY	REV
REVISION	--				
SCALE	1:40				
DRAWN	MJ				
CHECKED	SRF				
TITLE		SIZE	C		

SOUTH STAIR CANOPY LAYOUT



- NOTES:
1. CANOPY GUTTER ALONG BUILDING WALL MUST BE LAG BOLTED TO STUDS OR HEADER IN BUILDING WALL.
  2. ALL OTHER GUTTERS ARE SUPPORTED BY 4" X 4" POSTS AT LOCATIONS SHOWN.
  3. WATER DRAINS THROUGH SUPPORT POSTS AND EXITS NEAR THE BOTTOM ABOVE GRADE.

DWG #	15-07-001	<p>UPSIDE INNOVATIONS LLC CINCINNATI, OHIO WWW.UPSIDEINNOVATIONS.COM PHONE: (513) 889-2492 FAX: (513) 672-2124</p>	ALL DIMENSIONS IN INCHES UNLESS OTHERWISE SPECIFIED		XXX ± 0.060" XXXX ± 0.015" ANGLES ± 1°	
DATE	12/21/15		DATE	BY	REV	REVISION DESCRIPTION
REVISION	--					
SCALE	1:20					
DRAWN	MJ					
CHECKED	SRF					
TITLE		SIZE	C			
The concepts and designs shown here-in are the exclusive proprietary property of UPSIDE INNOVATIONS LLC and may not be copied or used in any manner without written permission from UPSIDE INNOVATIONS.						

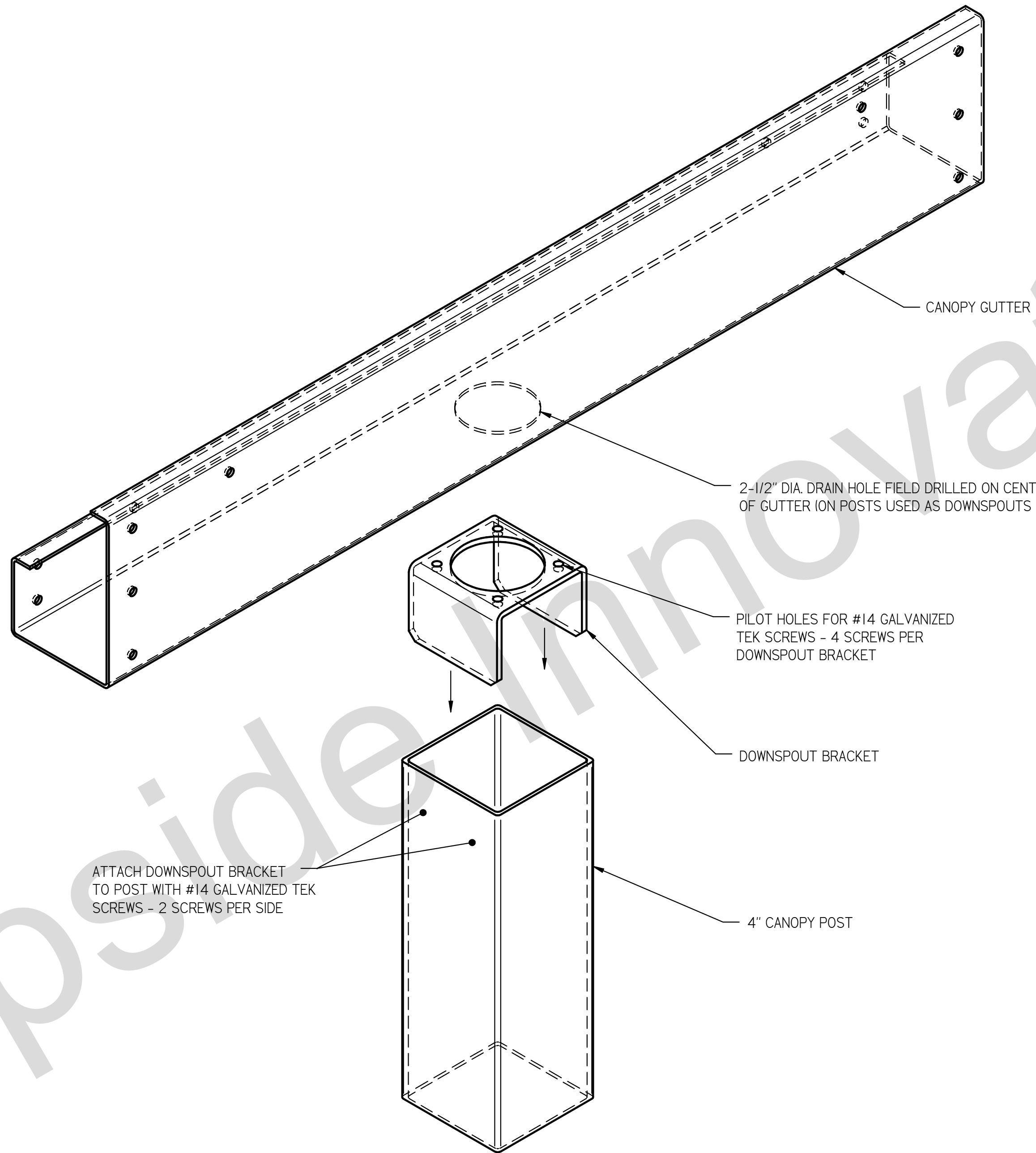


NOTE: SILICONE SEALANT MUST BE APPLIED TO ALL GUTTER SPLICES BEFORE AND AFTER ASSEMBLY

CANOPY GUTTER JOINT DETAIL


DWG #	CANOPY TOP FP		ALL DIMENSIONS IN INCHES	XXX ± 0.06"	FRACTIONAL ± 1/16"
DATE	4/22/15		UNLESS OTHERWISE SPECIFIED	XXXX ± 0.030"	ANGLES ± 1°
REVISION	--	UPSIDE INNOVATIONS LLC	DATE	BY	REV
SCALE	N/A	CINCINNATI, OHIO	REVISION DESCRIPTION		
DRAWN	SRF	WWW.UPSIDEINNOVATIONS.COM			
CHECKED	KRS	PHONE: (513) 889-2492 FAX: (513) 672-2124			
TITLE		SIZE			
		C			

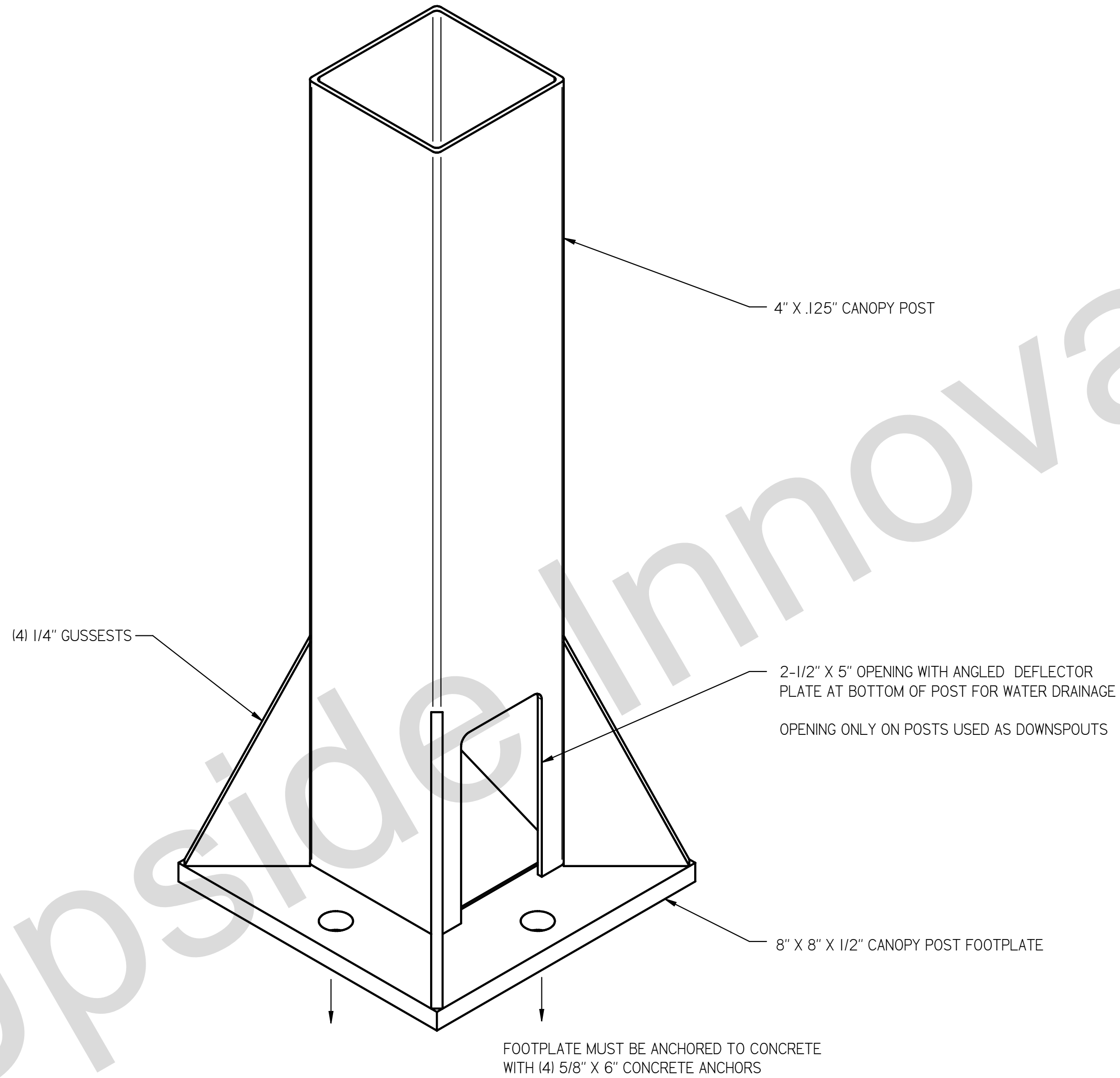
The concepts and designs shown here-in are the exclusive proprietary property of UPSIDE INNOVATIONS LLC and may not be copied or used in any manner without written permission from UPSIDE INNOVATIONS.



ATTACH DOWNSPOUT BRACKET  
TO POST WITH #14 GALVANIZED TEK  
SCREWS - 2 SCREWS PER SIDE

NOTE: SILICONE SEALANT MUST BE  
APPLIED AROUND LEG TO GUTTER  
JOINT FOR A WATERTIGHT SEAL

DWG #	CANOPY POST	ALL DIMENSIONS IN INCHES UNLESS OTHERWISE SPECIFIED		XXX ± 0.06" XXXX ± 0.030"	FRACTIONAL ± 1/16" ANGLES ± 1°
DATE	7/27/11	 P.O. BOX 428511 - CINCINNATI, OHIO 45242 PHONE: (513) 404-7073 FAX: (513) 672-2124			
REVISION	A				
SCALE	1:3				
DRAWN	SRF				
CHECKED	KRS				
TITLE		DATE	BY	REV	REVISION DESCRIPTION
		6/11/14	SF	A	ADDED HARDWARE MATERIAL INFORMATION
The concepts and designs shown here-in are the exclusive proprietary property of UPSIDE INNOVATIONS LLC and may not be copied or used in any manner without written permission from UPSIDE INNOVATIONS.					



DWG # CANOPY FOOTPLATE		 UPSIDE INNOVATIONS LLC P.O. BOX 428511 - CINCINNATI, OHIO 45242 PHONE: (513) 404-7073 FAX: (513) 672-2124	ALL DIMENSIONS IN INCHES UNLESS OTHERWISE SPECIFIED		XXX ± 0.06"	FRACTIONAL ± 1/16"
DATE	9/27/11		XXXX ± 0.030"	ANGLES ± 1°		
REVISION	--		DATE	BY	REV	REVISION DESCRIPTION
SCALE	1:2					
DRAWN	SRF					
CHECKED	KRS					
TITLE		SIZE	C			

The concepts and designs shown here-in are the exclusive proprietary property of UPSIDE INNOVATIONS LLC and may not be copied or used in any manner without written permission from UPSIDE INNOVATIONS.