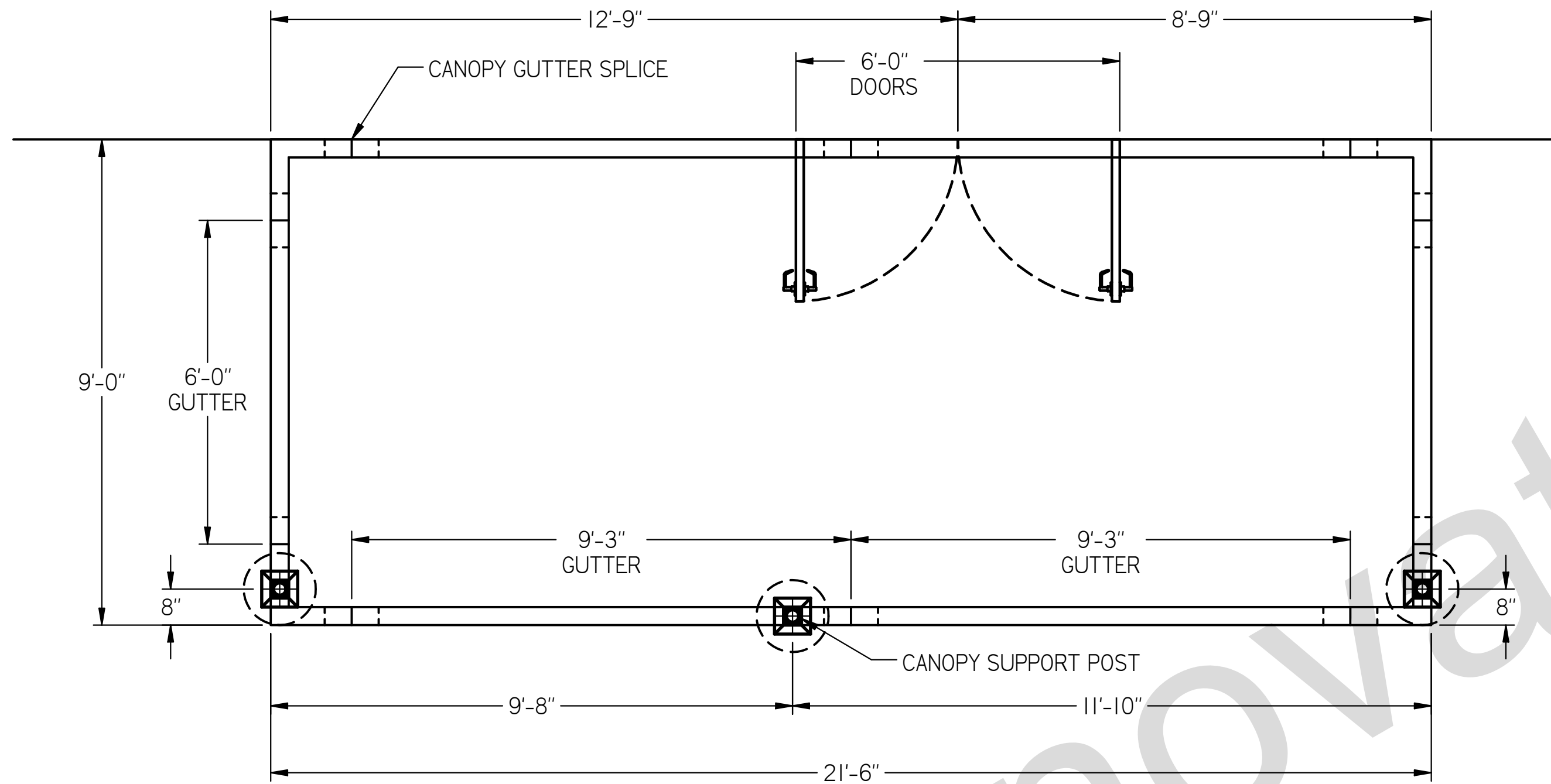
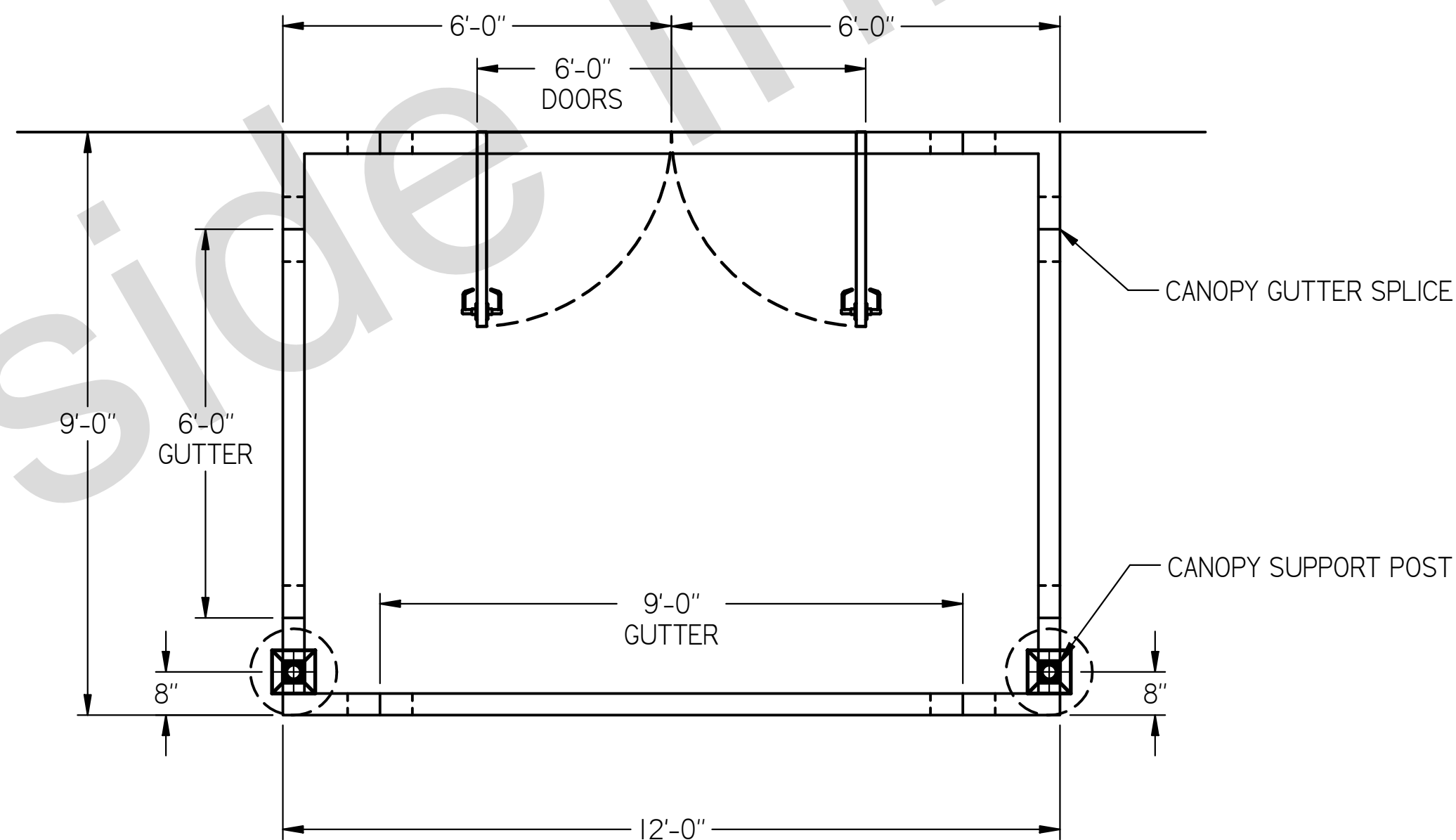


9' X 21'-6" CANOPY OVER
8' X 20' PLATFORM




9' X 12' CANOPY OVER
8' X 10'-8" PLATFORM

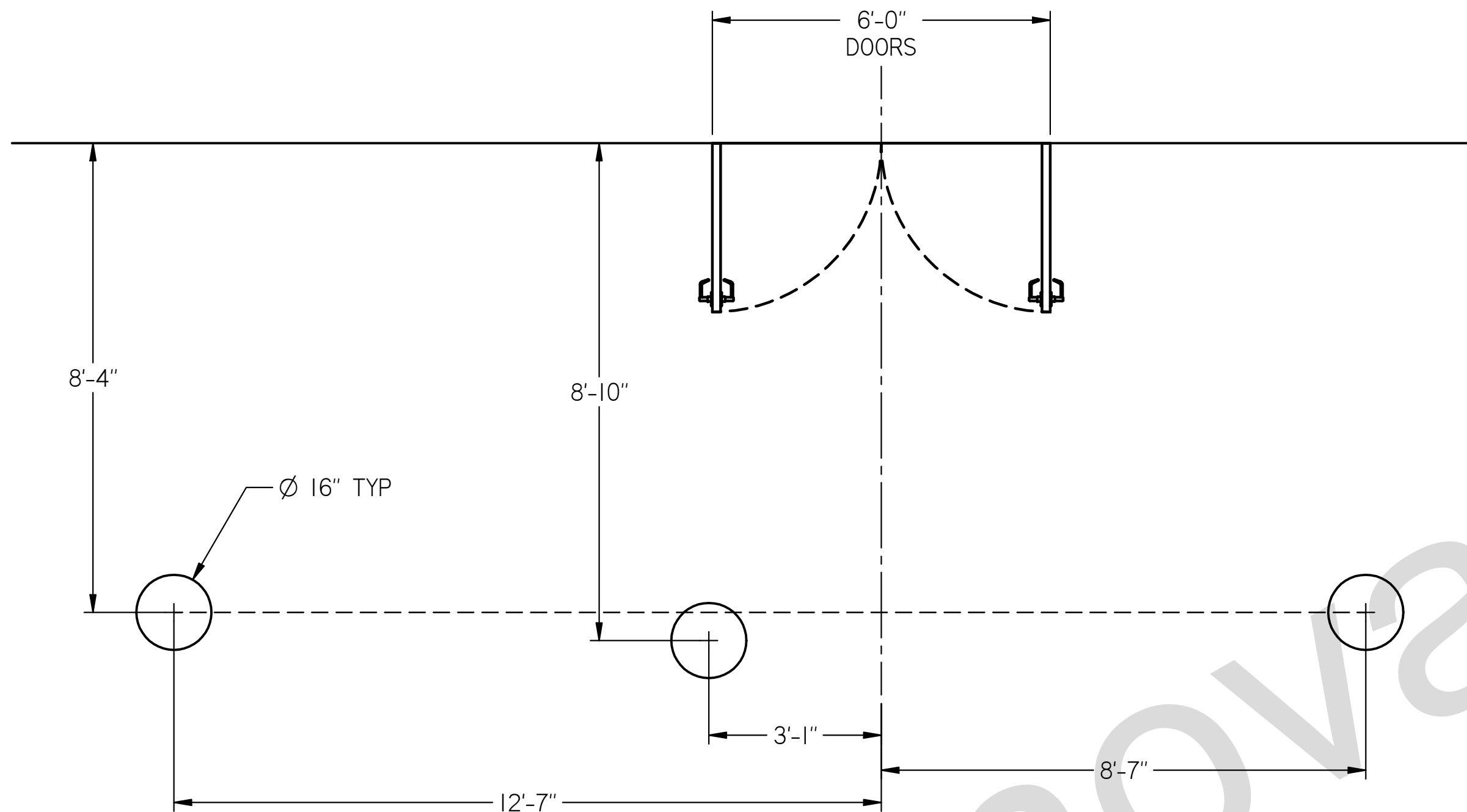


NOTES:

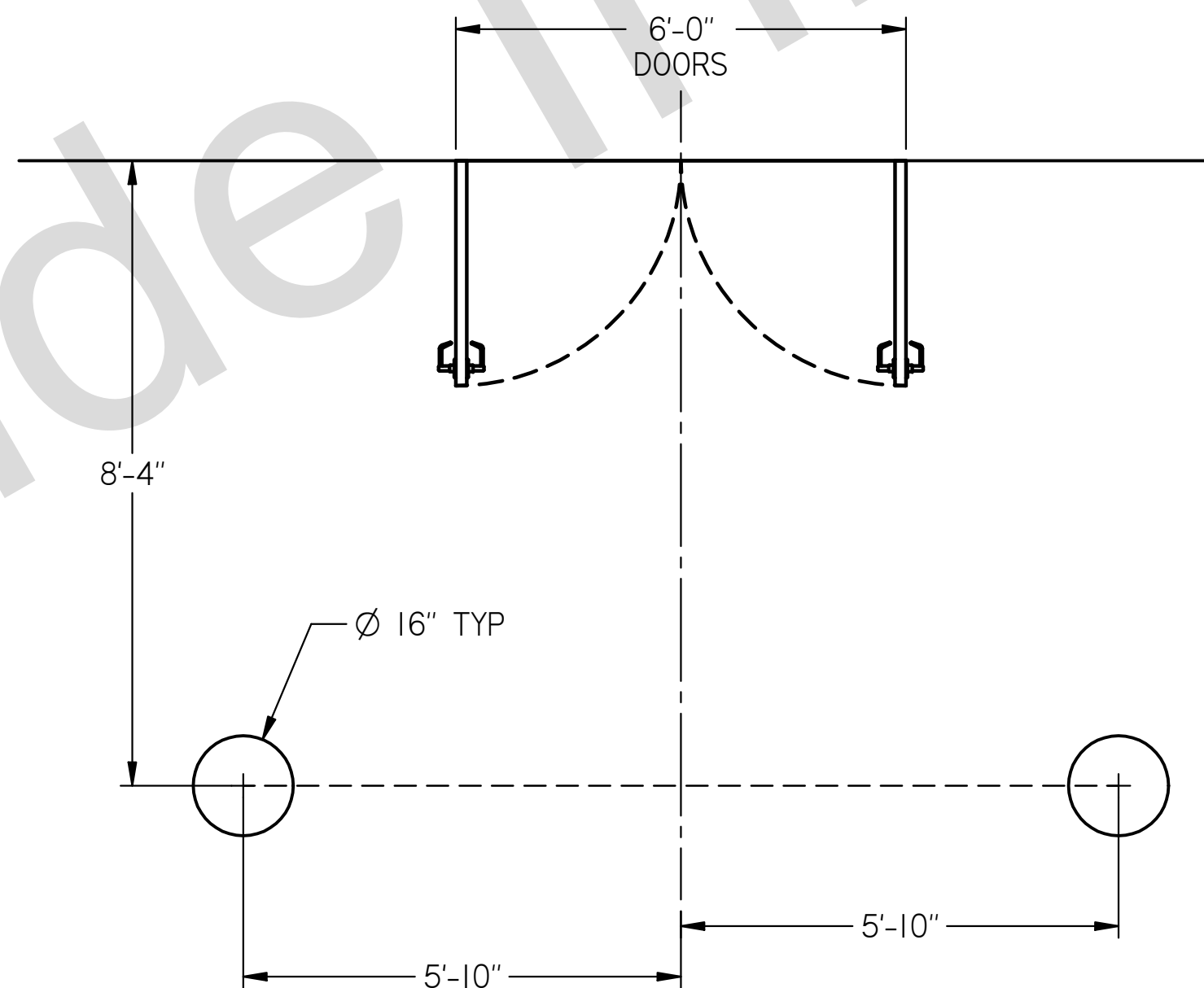
1. CANOPY GUTTER ALONG BUILDING WALL MUST BE LAG BOLTED TO STUDS OR HEADER IN BUILDING WALL.
2. ALL OTHER GUTTERS ARE SUPPORTED BY 4" X 4" POSTS AT LOCATIONS SHOWN.
3. WATER DRAINS THROUGH SUPPORT POSTS AND EXITS NEAR THE BOTTOM ABOVE GRADE.

DWG # 11096	 <p>UPSIDE INNOVATIONS LLC CINCINNATI, OHIO WWW.UPSIDEINNOVATIONS.COM PHONE: (513) 889-2492 FAX: (513) 672-2124</p>	ALL DIMENSIONS IN INCHES UNLESS OTHERWISE SPECIFIED		XXX ± 0.060" XXXX ± 0.015" ANGLES ± 1°	
DATE 5/28/15		DATE	BY	REV	REVISION DESCRIPTION
REVISION --					
SCALE 1/25					
DRAWN SRF					
CHECKED KRS					
TITLE	SIZE				
	C				
The concepts and designs shown here-in are the exclusive proprietary property of UPSIDE INNOVATIONS LLC and may not be copied or used in any manner without written permission from UPSIDE INNOVATIONS.					
				SHEET #	
				05	

9' X 21'-6" CANOPY
FOOTING LAYOUT




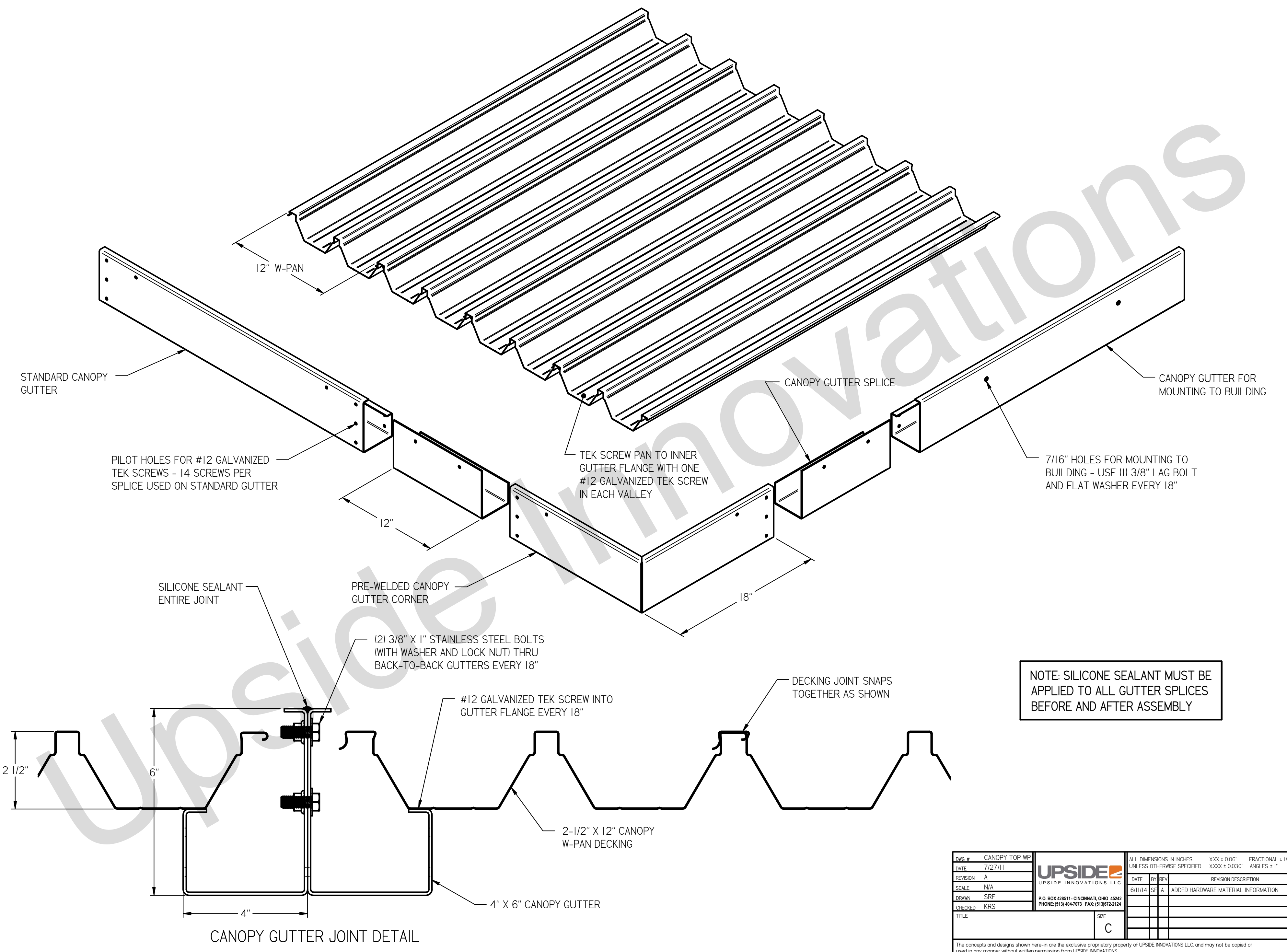
9' X 12' CANOPY
FOOTING LAYOUT



NOTES:

1. DASHED LINES REPRESENT ALIGNED FOOTERS.
2. DIMENSIONS ARE TO BE TAKEN FROM THE SURFACES OF THE BUILDING WALLS WHERE THE CANOPY GUTTERS WILL BE ATTACHED.
3. FOOTERS ARE 16" DIA. MINIMUM UNLESS OTHERWISE SPECIFIED.
4. FOOTER DEPTH MUST BE 36" MINIMUM.

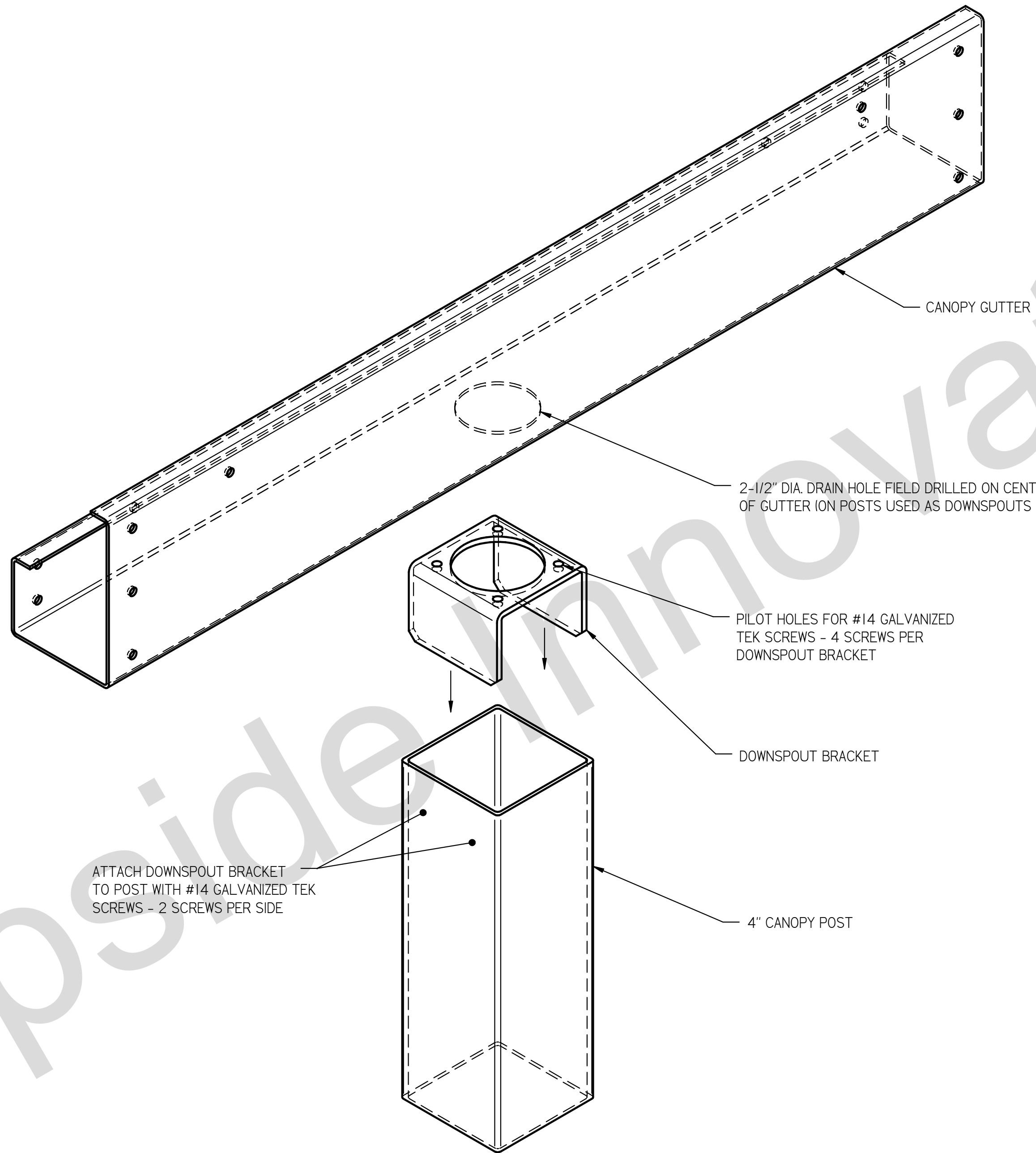
DWG #	11096	 UPSIDE INNOVATIONS LLC CINCINNATI, OHIO WWW.UPSIDEINNOVATIONS.COM PHONE: (513) 889-2492 FAX: (513) 672-2124	ALL DIMENSIONS IN INCHES UNLESS OTHERWISE SPECIFIED	XXX ± 0.060" XXXX ± 0.015" ANGLES ± 1°	
DATE	5/28/15		DATE	BY	REV
REVISION	--				
SCALE	1/25				
DRAWN	SRF				
CHECKED	KRS				
TITLE		SIZE	C		
The concepts and designs shown here-in are the exclusive proprietary property of UPSIDE INNOVATIONS LLC and may not be copied or used in any manner without written permission from UPSIDE INNOVATIONS.					SHEET #
					06



DWG #	CANOPY TOP WP	ALL DIMENSIONS IN INCHES UNLESS OTHERWISE SPECIFIED		XXX ± 0.06"	FRACTIONAL ± 1/16"
DATE	7/27/11	UNLESS OTHERWISE SPECIFIED		XXXX ± 0.030"	ANGLES ± 1°
REVISION	A	DATE	BY	REV	REVISION DESCRIPTION
SCALE	N/A	6/11/14	SF	A	ADDED HARDWARE MATERIAL INFORMATION
DRAWN	SRF				
CHECKED	KRS				
TITLE					
		SIZE	C		


P.O. BOX 428511 - CINCINNATI, OHIO 45242
PHONE: (513) 404-7073 FAX: (513) 672-2124

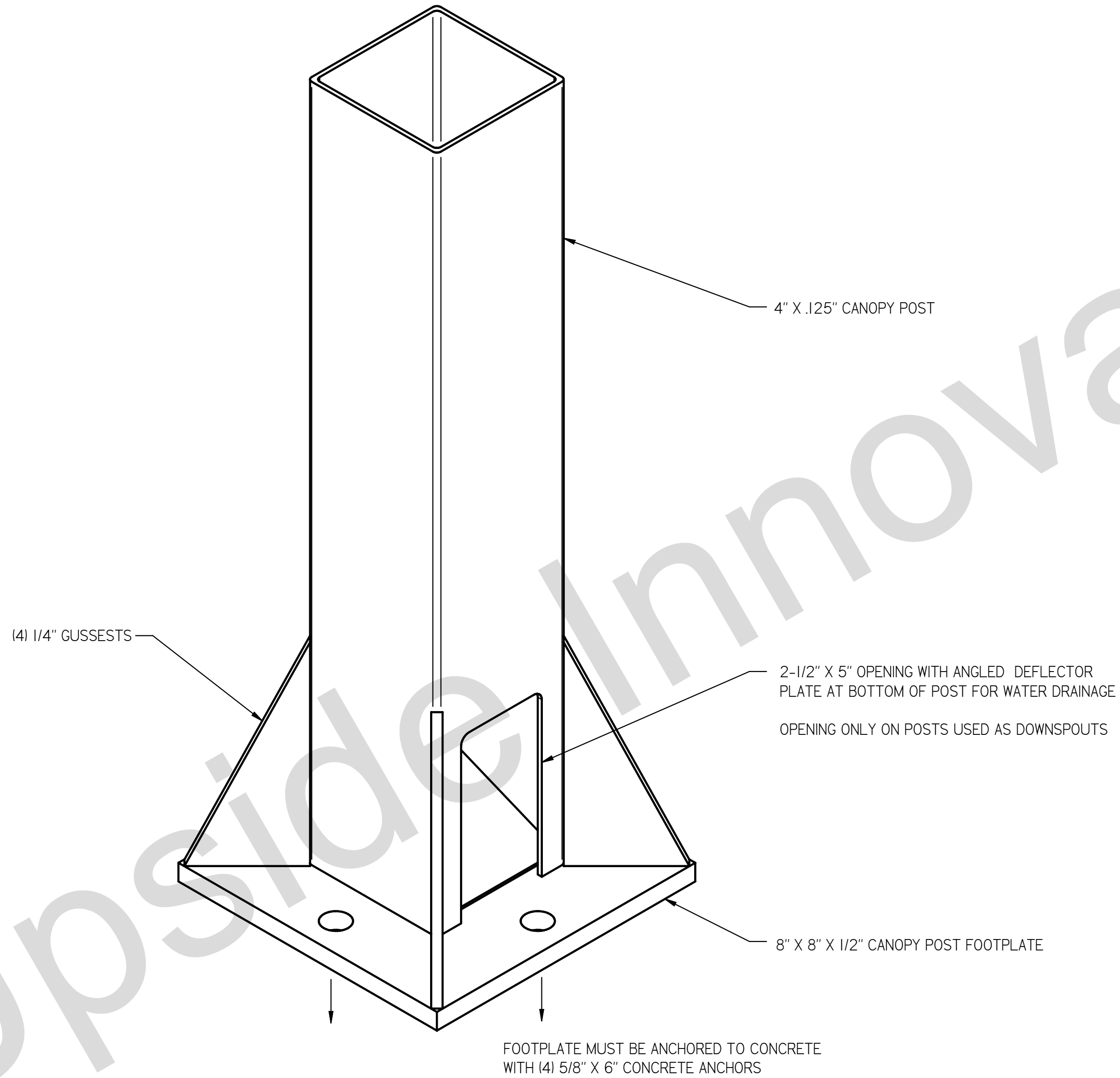
The concepts and designs shown here-in are the exclusive proprietary property of UPSIDE INNOVATIONS LLC and may not be copied or used in any manner without written permission from UPSIDE INNOVATIONS.



ATTACH DOWNSPOUT BRACKET
TO POST WITH #14 GALVANIZED TEK
SCREWS - 2 SCREWS PER SIDE

NOTE: SILICONE SEALANT MUST BE
APPLIED AROUND LEG TO GUTTER
JOINT FOR A WATERTIGHT SEAL

DWG #	CANOPY POST	ALL DIMENSIONS IN INCHES UNLESS OTHERWISE SPECIFIED		XXX ± 0.06" XXXX ± 0.030"	FRACTIONAL ± 1/16" ANGLES ± 1°
DATE	7/27/11	 P.O. BOX 428511 - CINCINNATI, OHIO 45242 PHONE: (513) 404-7073 FAX: (513) 672-2124			
REVISION	A				
SCALE	1:3				
DRAWN	SRF				
CHECKED	KRS				
TITLE		DATE	BY	REV	REVISION DESCRIPTION
		6/11/14	SF	A	ADDED HARDWARE MATERIAL INFORMATION
The concepts and designs shown here-in are the exclusive proprietary property of UPSIDE INNOVATIONS LLC and may not be copied or used in any manner without written permission from UPSIDE INNOVATIONS.					



DWG # CANOPY FOOTPLATE		 UPSIDE INNOVATIONS LLC P.O. BOX 428511 - CINCINNATI, OHIO 45242 PHONE: (513) 404-7073 FAX: (513) 672-2124	ALL DIMENSIONS IN INCHES		XXX ± 0.06"	FRACTIONAL ± 1/16"	
DATE	9/27/11		UNLESS OTHERWISE SPECIFIED		XXXX ± 0.030"	ANGLES ± 1°	
REVISION	--		DATE	BY	REV	REVISION DESCRIPTION	
SCALE	1:2						
DRAWN	SRF						
CHECKED	KRS						
TITLE		SIZE		C			

The concepts and designs shown here-in are the exclusive proprietary property of UPSIDE INNOVATIONS LLC and may not be copied or used in any manner without written permission from UPSIDE INNOVATIONS.