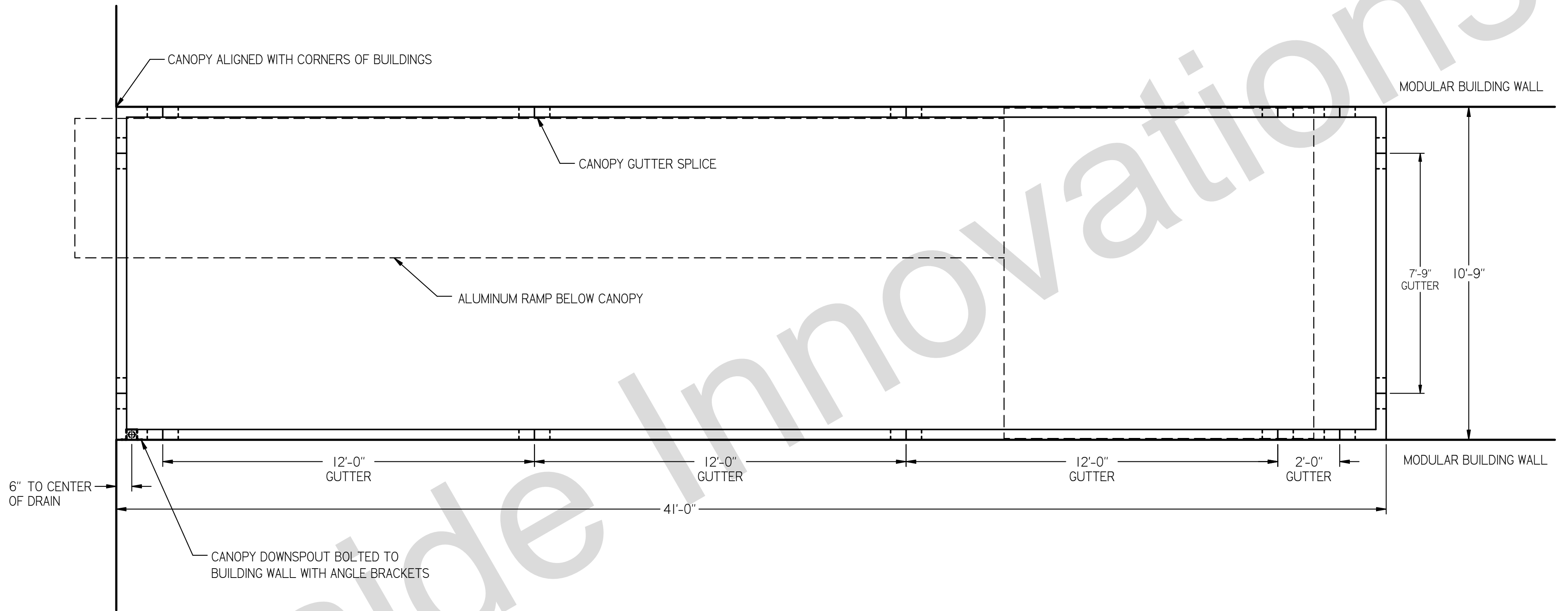


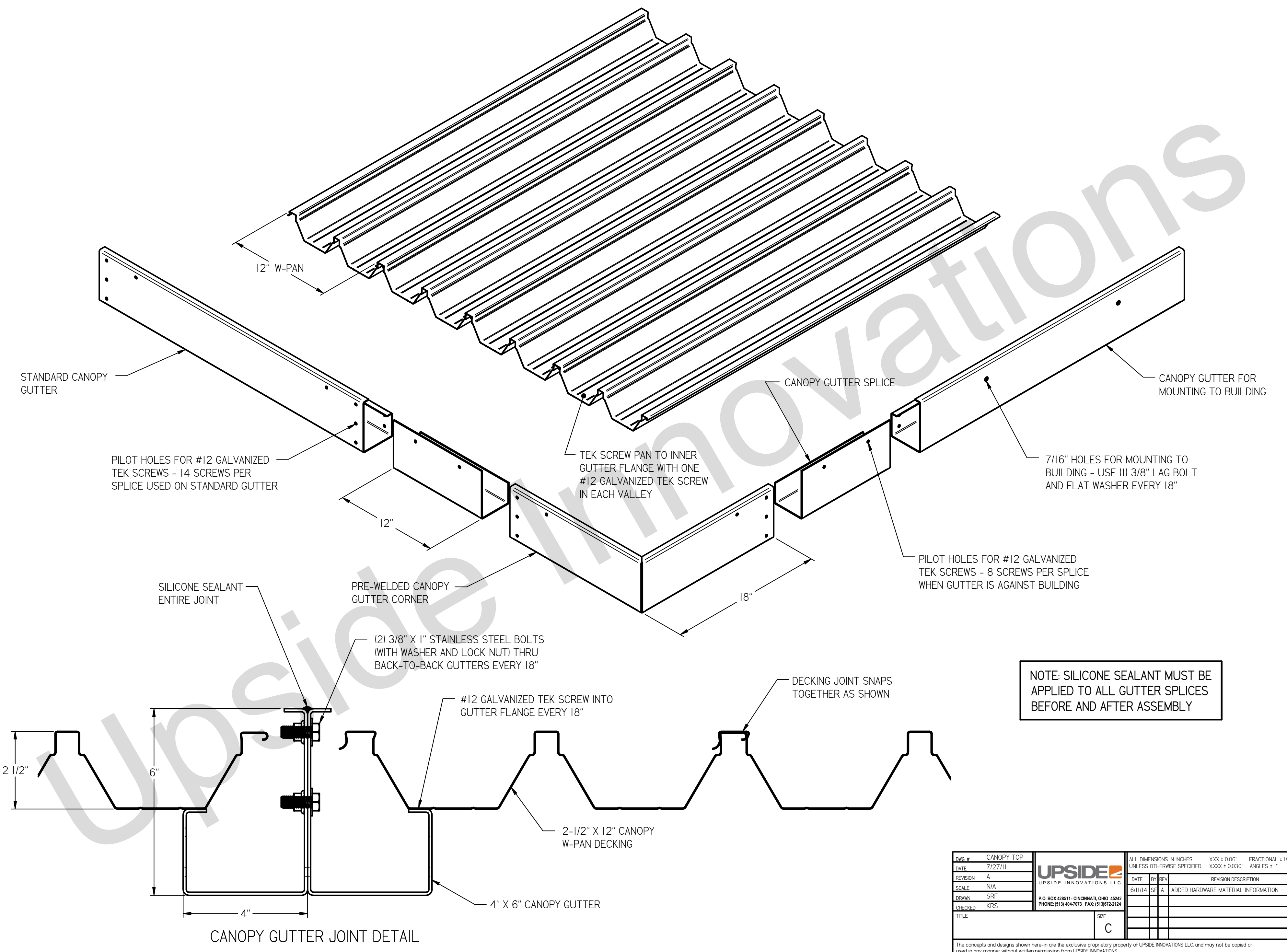
10'-9" X 41' CANOPY



NOTES:

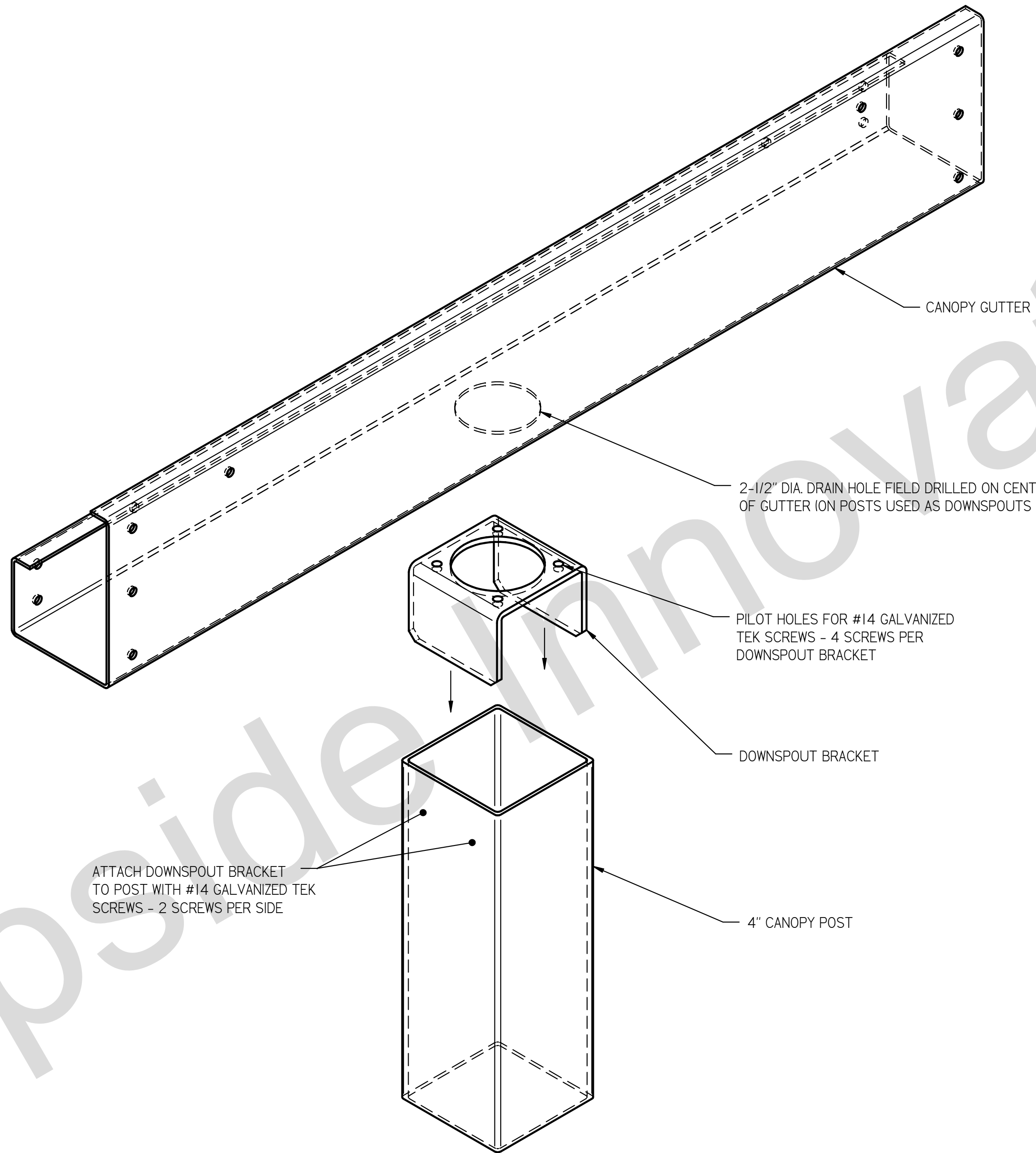
1. CANOPY GUTTER ALONG BUILDING WALL MUST BE LAG BOLTED TO STUDS OR HEADER IN BUILDING WALL.
2. WATER DRAINS THROUGH THE DOWNSPOUT AND EXITS NEAR THE BOTTOM ABOVE GRADE.

DWG #	10870	<p>UPSIDE INNOVATIONS LLC P.O. BOX 428511 - CINCINNATI, OHIO 45242 PHONE: (513) 404-7073 FAX: (513) 672-2124</p>	ALL DIMENSIONS IN INCHES		XXX ± 0.060"	
DATE	8/19/14		UNLESS OTHERWISE SPECIFIED		XXXX ± 0.015"	
REVISION	--		DATE	BY	REV	REVISION DESCRIPTION
SCALE	1:30					
DRAWN	SRF					
CHECKED	KRS					
TITLE		SIZE	C			
The concepts and designs shown here-in are the exclusive proprietary property of UPSIDE INNOVATIONS LLC and may not be copied or used in any manner without written permission from UPSIDE INNOVATIONS.						
					SHEET #	
					01	



DWG #	CANOPY TOP	 UPSIDE INNOVATIONS LLC P.O. BOX 428511 - CINCINNATI, OHIO 45242 PHONE: (513) 404-7073 FAX: (513) 672-2124	ALL DIMENSIONS IN INCHES		XXX ± 0.06"	FRACTIONAL ± 1/16"	
DATE	7/27/11		UNLESS OTHERWISE SPECIFIED		XXXX ± 0.030"	ANGLES ± 1°	
REVISION	A		DATE	BY	REV	REVISION DESCRIPTION	
SCALE	N/A		6/11/14	SF	A	ADDED HARDWARE MATERIAL INFORMATION	
DRAWN	SRF						
CHECKED	KRS						
TITLE		SIZE	C				

The concepts and designs shown here-in are the exclusive proprietary property of UPSIDE INNOVATIONS LLC and may not be copied or used in any manner without written permission from UPSIDE INNOVATIONS.



ATTACH DOWNSPOUT BRACKET TO POST WITH #14 GALVANIZED TEK SCREWS - 2 SCREWS PER SIDE

NOTE: SILICONE SEALANT MUST BE APPLIED AROUND LEG TO GUTTER JOINT FOR A WATERTIGHT SEAL

DWG #	CANOPY POST	UPSIDE INNOVATIONS LLC		ALL DIMENSIONS IN INCHES UNLESS OTHERWISE SPECIFIED	XXX ± 0.06" FRACTIONAL ± 1/16"	XXXX ± 0.030" ANGLES ± 1°
DATE	7/27/11	DATE	BY REV	REVISION DESCRIPTION		
REVISION	A	6/11/14	SF A	ADDED HARDWARE MATERIAL INFORMATION		
SCALE	1:3					
DRAWN	SRF					
CHECKED	KRS					
TITLE		SIZE	C			
<small>The concepts and designs shown here-in are the exclusive proprietary property of UPSIDE INNOVATIONS LLC and may not be copied or used in any manner without written permission from UPSIDE INNOVATIONS.</small>						