

California has its own set of regulations for new construction and alterations to existing structures in regard to accessibility, so it has unique ADA ramp requirements. The purpose of the California Building Code, as outlined in 1.1.2 of the Code, “is to establish the minimum requirements to safeguard the public health, safety and general welfare.” Below is a simple guideline to follow which encompasses standard 2010 ADA Regulations as well as the 2016 California Building Code. You can also download the pdf version of the California ADA Ramp Requirements.

**Width:** 48 inches clear space between handrails.

**Rise:** The rise for any single ramp run shall be 30 inches maximum which means it can be 30 feet long maximum.

**Slope:** Maximum is 1:12 slope which means 1 inch of rise for every 12 inches of ramp run.

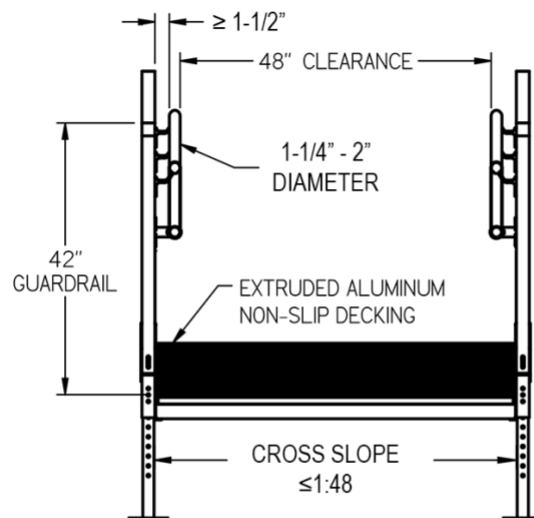
**Cross slope of ramp runs:** Maximum 1:48.

**Handrail height:** 34 inches – 38 inches from the walking surface.

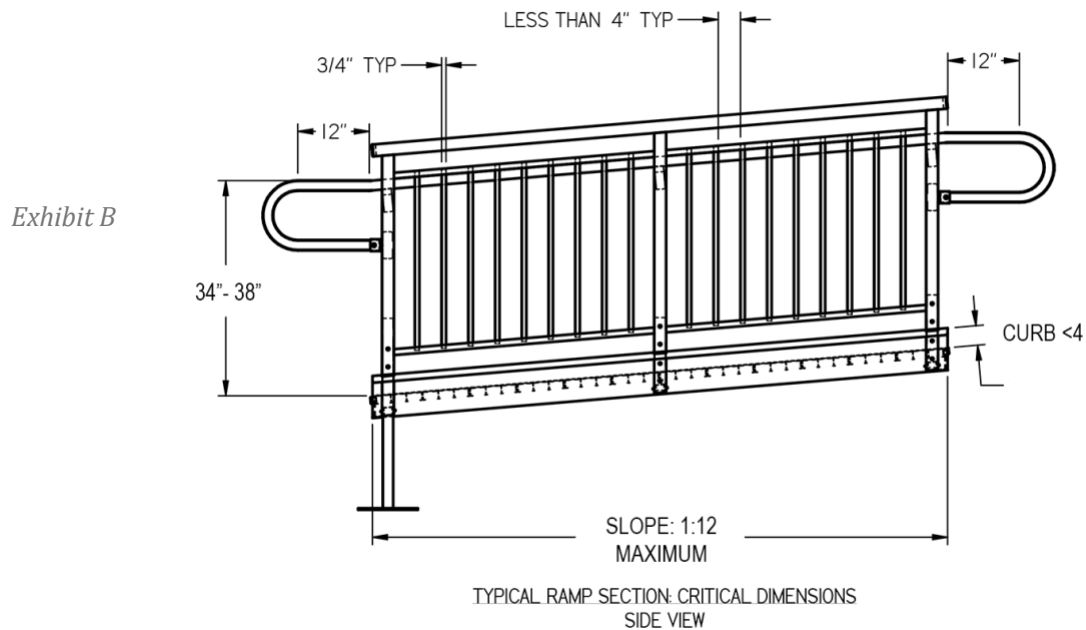
**Handrail grip:** 1-1/4 inch minimum to 2 inch maximum outside diameter for circular handrails. \*For complete ADA ramp handrail requirements for California, view the California Building Code 11B-505.

**Edge protection:** A curb, 2 inches high minimum, shall be provided that prevents the passage of a 4-inch diameter sphere, where any portion of the sphere is within 4 inches of the finish floor or ground surface.

Exhibit A



TYPICAL RAMP SECTION: CRITICAL DIMENSIONS  
FRONT VIEW



**Landing width:** The landing must be at least as wide as the widest ramp run leading to the landing with a minimum dimension of 48 inches between the handrails. **NOTE:** Landings at the top of the ramp must be at least 60 inches wide in the direction of travel.

**Landing length:** Each landing must be at least 60 inches clear length. **NOTE:** Landings at the bottom of a ramp must extend 72 inches in the direction of travel past the edge of the ramp.

**Landing at a change in direction:** 72 inches x 60 inches minimum in the direction of DOWNWARD travel from the upper ramp run.

*Exhibit C*

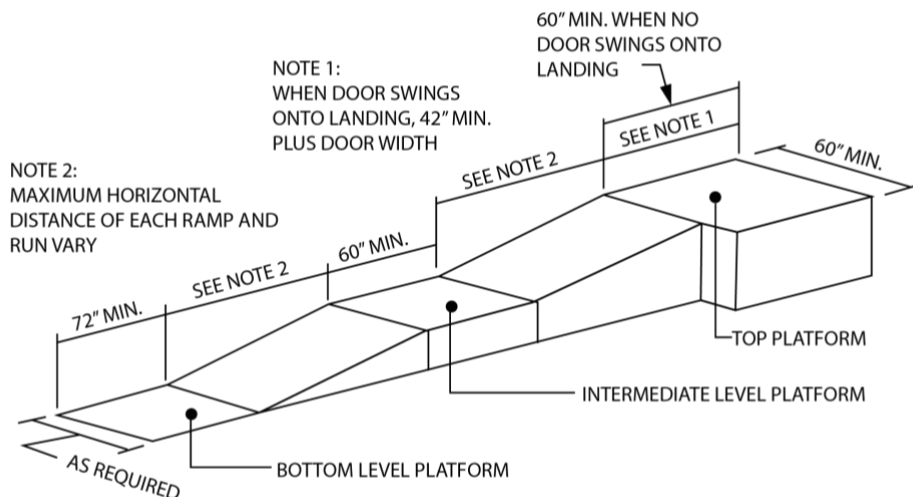
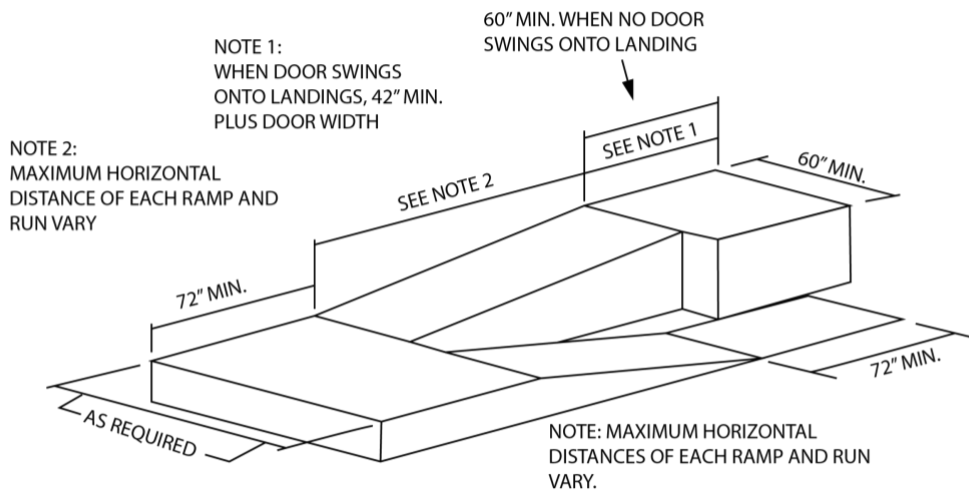
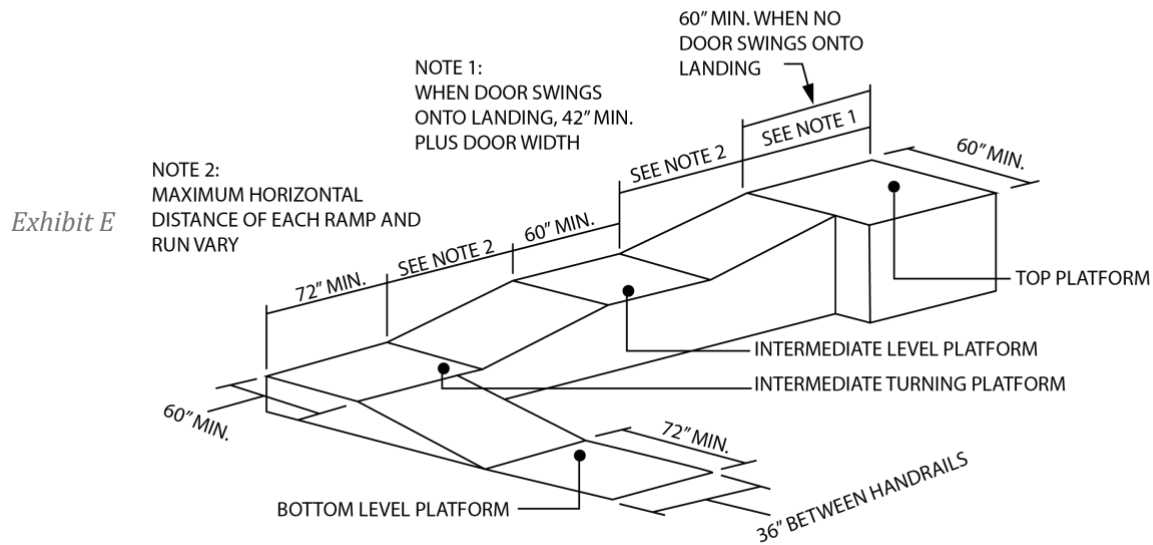


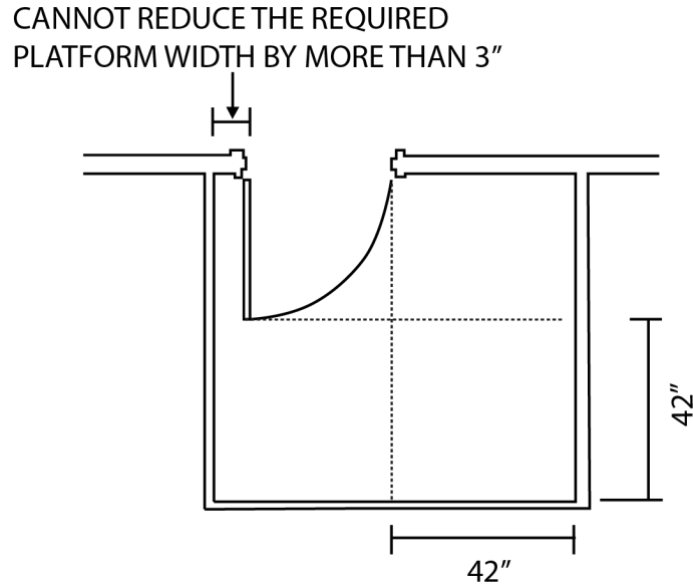
Exhibit D



**Landings with doors or gates:** All ADA ramp landings with manual, swinging doors or gates in California must comply with maneuvering clearance regulations as well as minimum platform width regulations.

The California Building Code states, “doors in any position shall not reduce the minimum dimension of the landing to less than 42” and shall not reduce the required width by more than 3 inches when fully open.” (11B-405.7.5) See Exhibit F below.

Exhibit F



**Recommended Platform Sizes:** Below are the minimum platform sizes to accommodate both ADA ramp requirements for California and California Building Code ramp requirements involving maneuvering clearances and minimum landing dimensions:

Approach Direction	Door or Gate Side	Length (in direction of travel)	Width (in direction of travel) 3	Parallel to Doorway (beyond latch side unless noted)	Exhibit
Front	Pull	78" (42" + min. door width <sup>1</sup> )	78" (42" + min. door width <sup>1</sup> )	42"	G.1
Front	Push	60"	60"	0" <sup>3</sup>	G.2
Hinge side	Pull	138" (42" + min. door width <sup>1</sup> + 12" for required ramp handrail extension)	78" (42" + min. door width <sup>1</sup> )	42"	G.3
Hinge side	Push	60"	60"	22"	G.4
Latch side	Pull	78" (42" + min. door width <sup>1</sup> )	78" (42" + min. door width <sup>1</sup> )	42"	G.5
Latch side	Push	60"	60"	24"	G.6

- 1. The ADA states that doors should be at least 36" wide.
- 2. Add 12" if the door is equipped with both a latch and a closer.
- 3. Platform must be at least as wide as the widest ramp run that leads to it.

Exhibit G

EXHIBIT G.1

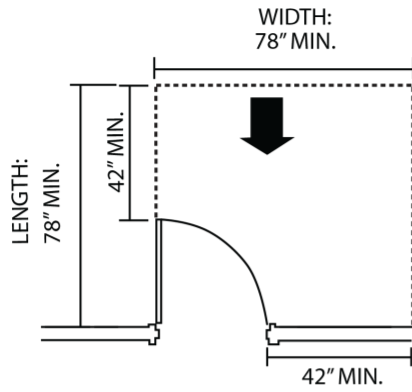


EXHIBIT G.2

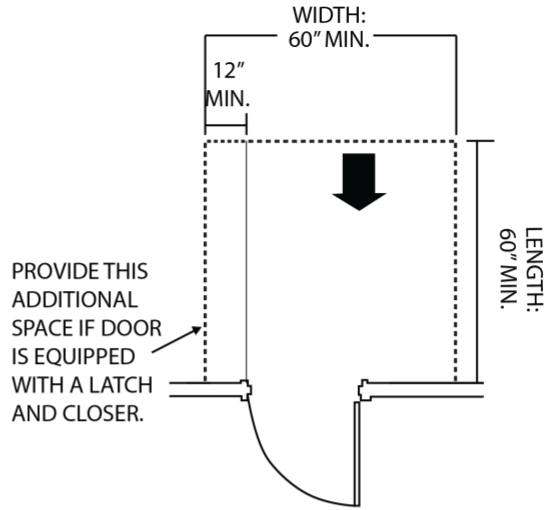


EXHIBIT G.3

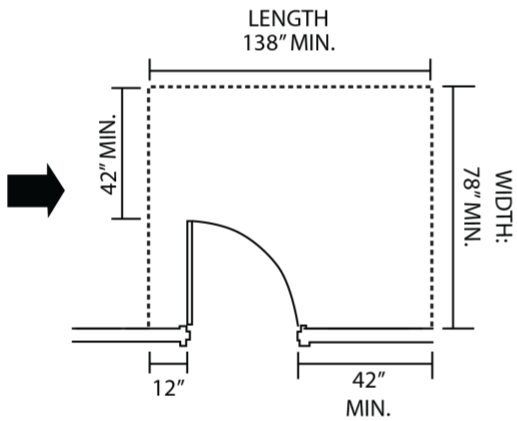


EXHIBIT G.4

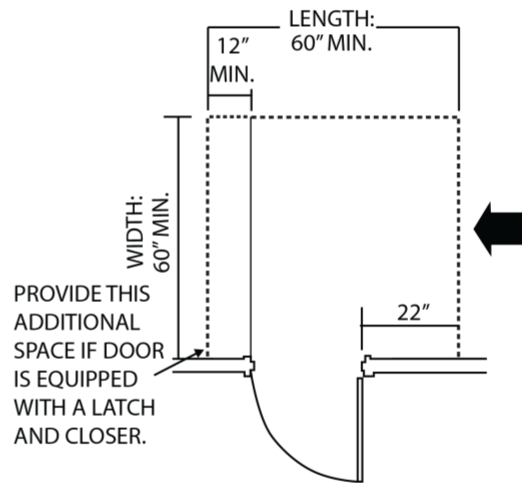


EXHIBIT G.5

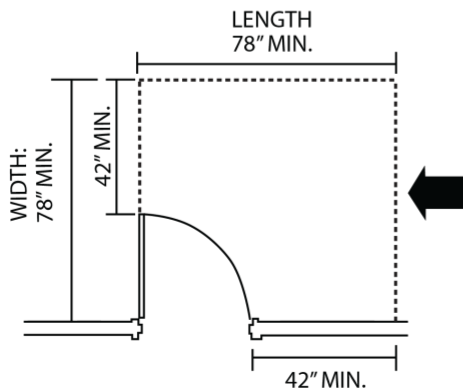
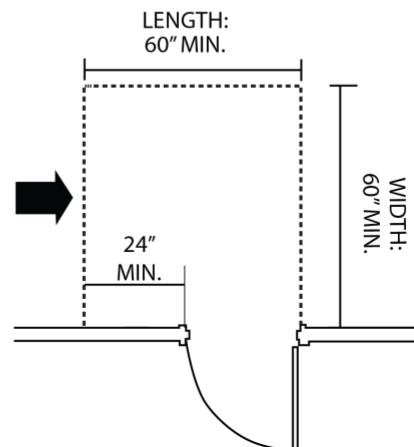


EXHIBIT G.6



## SOURCES:

[2010 ADA Regulations for Maneuvering Clearances \(404.2.4\)](#)

[2016 California Building Code Chapter 11B for Maneuvering Clearances \(11B-404.2.4\)](#)

[2016 California Building Code Chapter 11B for Ramp Landings \(11B-405.7\)](#)

[2016 California Building Code Chapter 11B for Doorways \(11B-405.7.5\)](#)