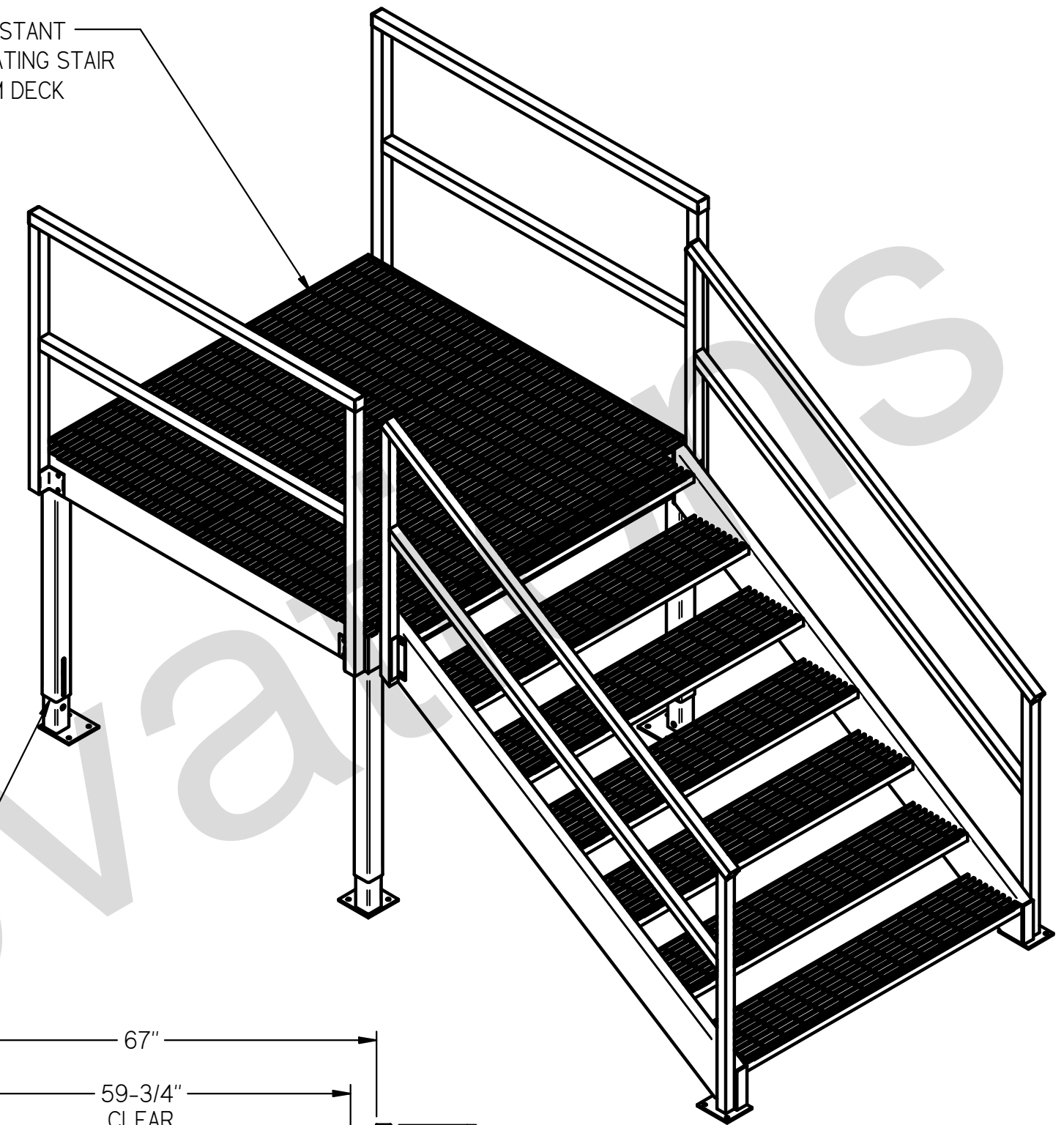
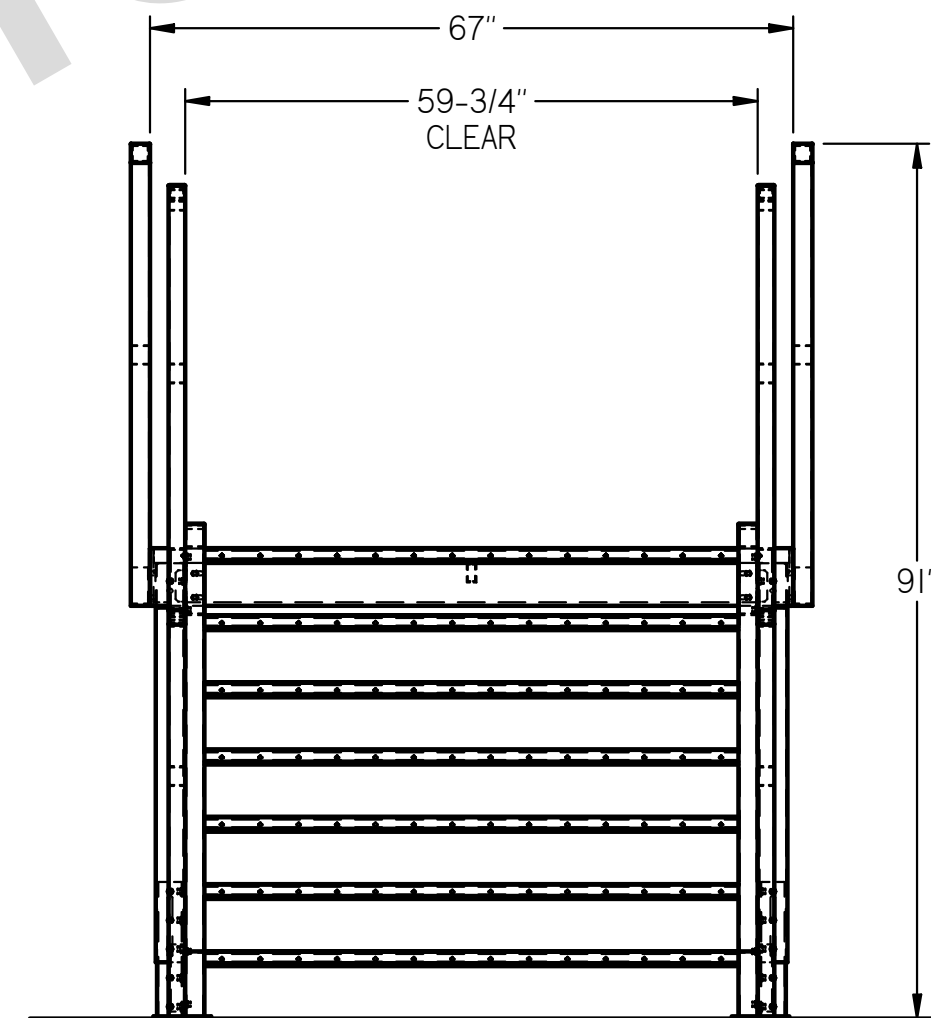
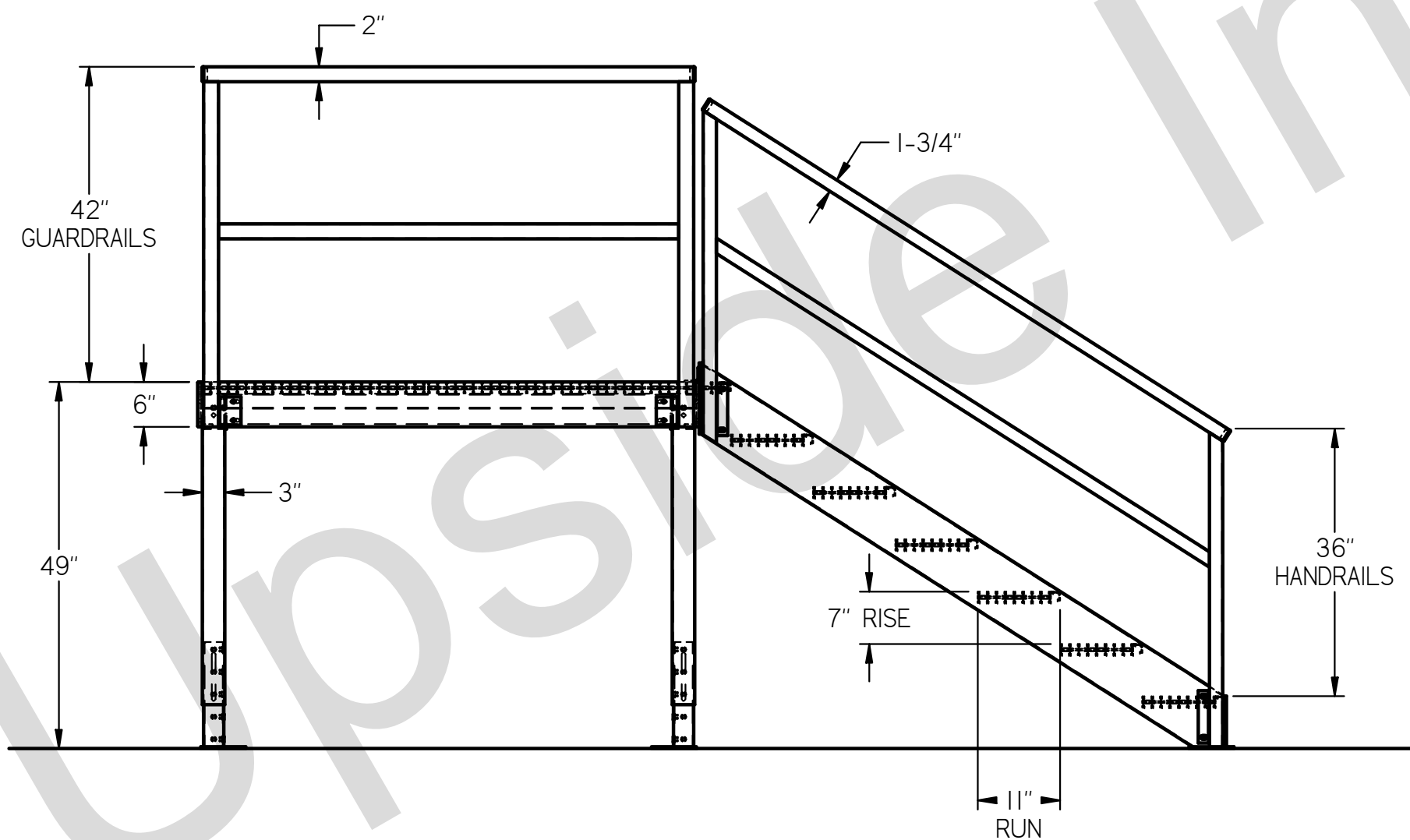


EXTRUDED SLIP RESISTANT ALUMINUM I-BAR GRATING STAIR TREADS & PLATFORM DECK



LEVELING LEGS ARE ADJUSTABLE +/- 4"



NOTES:

1. ALL 6000 SERIES ALUMINUM CONSTRUCTION WITH 18-8 STAINLESS STEEL CONNECTION HARDWARE.
2. CONCRETE ANCHORS ARE GALVANIZED STEEL.
3. APPROXIMATE WEIGHT: 367 LBS.

DWG #	DDI001-F	<p>UPSIDE INNOVATIONS LLC CINCINNATI, OHIO WWW.UPSIDEINNOVATIONS.COM PHONE: (513) 889-2492 FAX: (513) 672-2124</p>	ALL DIMENSIONS IN INCHES		XXX ± 0.06"	FRACTIONAL ± 1/16"
DATE	2/23/18		UNLESS OTHERWISE SPECIFIED		XXXX ± 0.030"	ANGLES ± 1°
REVISION	--		DATE	BY	REV	REVISION DESCRIPTION
SCALE	1:20					
DRAWN	SRF					
CHECKED	KRS					
TITLE	UPSIDE DOCK STAIRS - 49" OSHA I-BAR GRATING DOCK STAIR (FRONT APPROACH)	SIZE	C			
The concepts and designs shown here-in are the exclusive proprietary property of UPSIDE INNOVATIONS LLC and may not be copied or used in any manner without written permission from UPSIDE INNOVATIONS.						