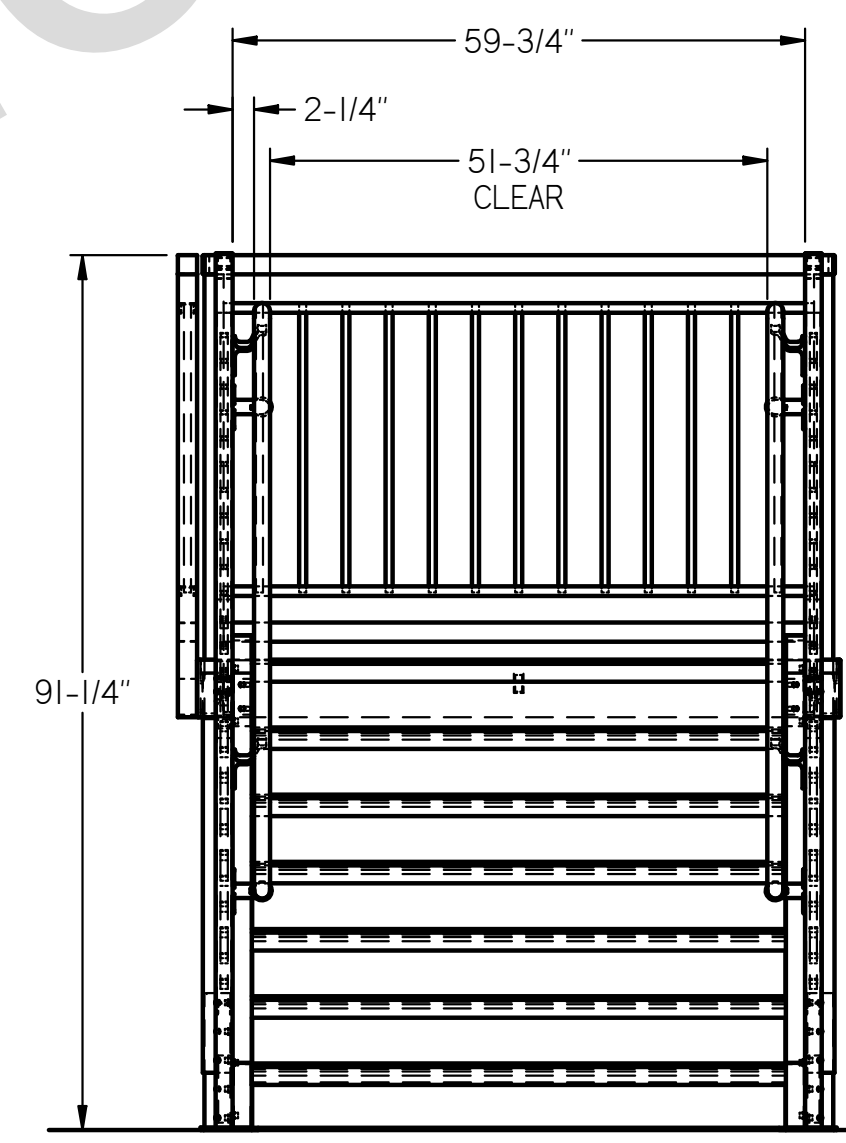
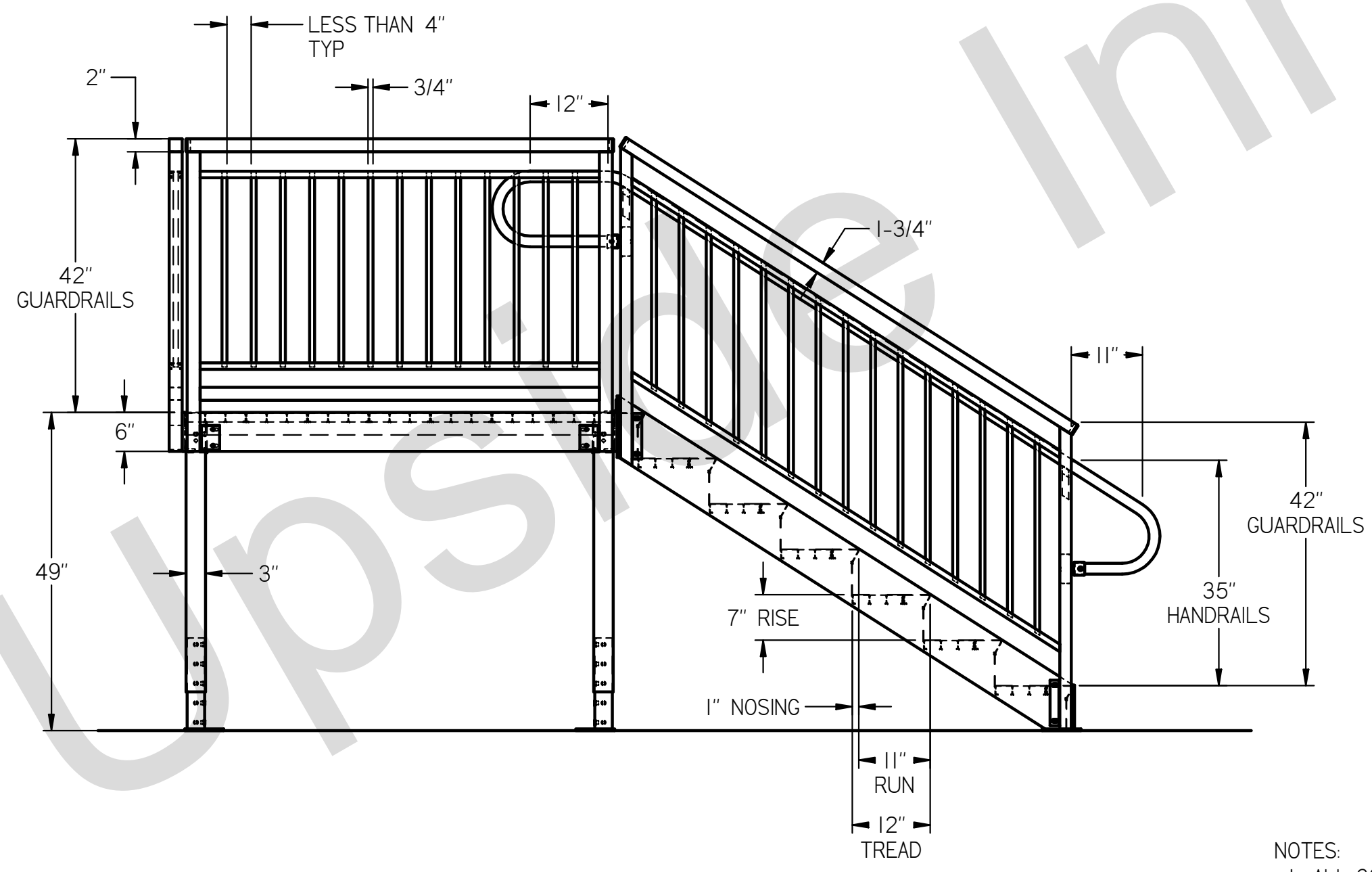


LEVELING LEGS ARE ADJUSTABLE +/- 4"



NOTES:

1. ALL 6000 SERIES ALUMINUM CONSTRUCTION WITH 18-8 STAINLESS STEEL CONNECTION HARDWARE.
2. CONCRETE ANCHORS ARE GALVANIZED STEEL.
3. APPROXIMATE WEIGHT: 445 LBS.

| | | | | | | |
|----------|-----------------------------|---|----------------------------|----|---------------|----------------------|
| DWG # | DDI000-S | | ALL DIMENSIONS IN INCHES | | XXX ± 0.06" | FRACTIONAL ± 1/16" |
| DATE | 2/22/18 | | UNLESS OTHERWISE SPECIFIED | | XXXX ± 0.030" | ANGLES ± 1° |
| REVISION | -- | CINCINNATI, OHIO | DATE | BY | REV | REVISION DESCRIPTION |
| SCALE | 1:20 | WWW.UPSIDENOVATIONS.COM | | | | |
| DRAWN | SRF | PHONE: (513) 889-2492 FAX: (513) 672-2124 | | | | |
| CHECKED | KRS | | | | | |
| TITLE | UPSIDE DOCK STAIRS - 49\"/> | | | | | |
| SIZE | C | | | | | |

The concepts and designs shown here-in are the exclusive proprietary property of UPSIDE INNOVATIONS LLC and may not be copied or used in any manner without written permission from UPSIDE INNOVATIONS.