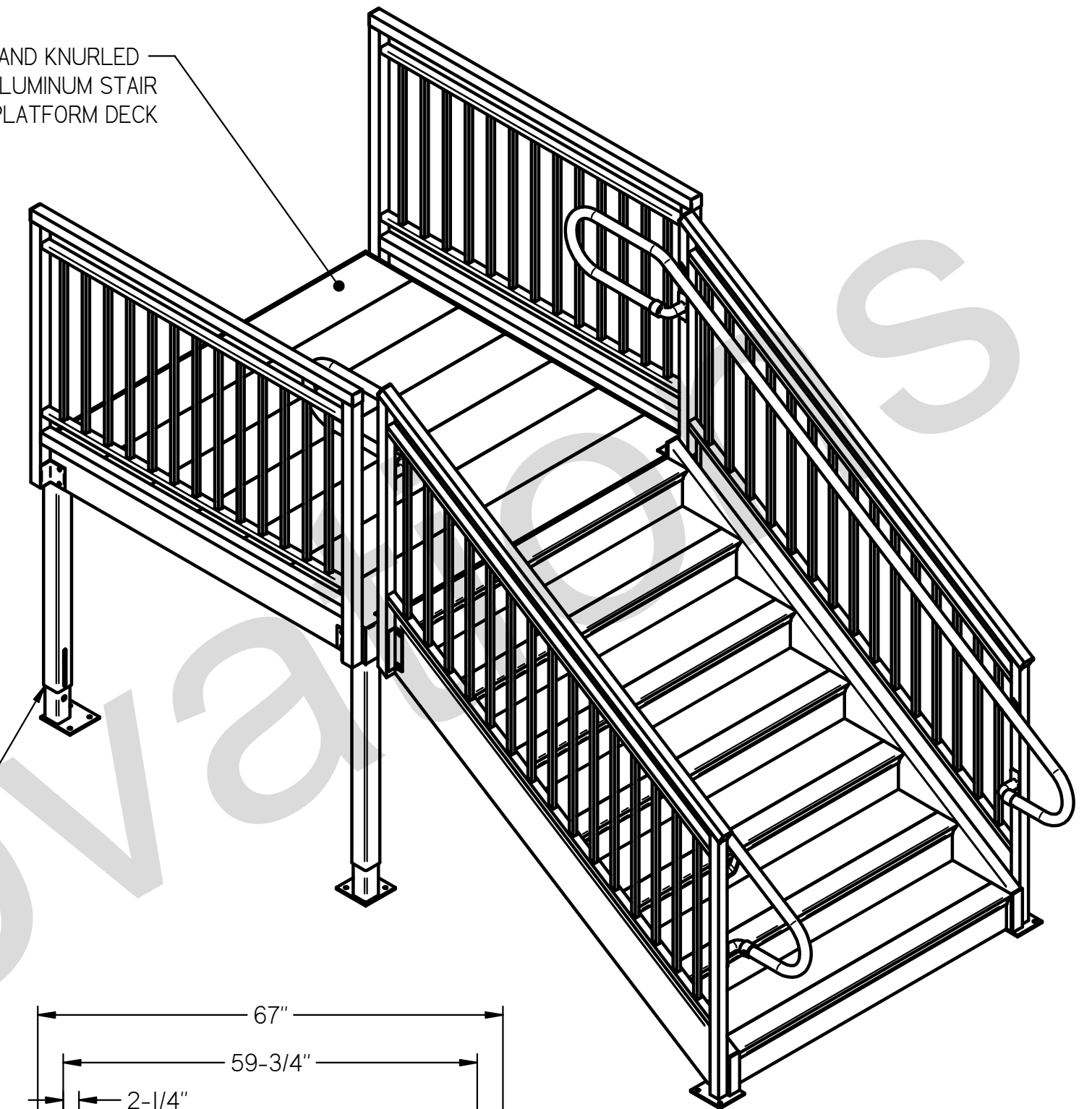
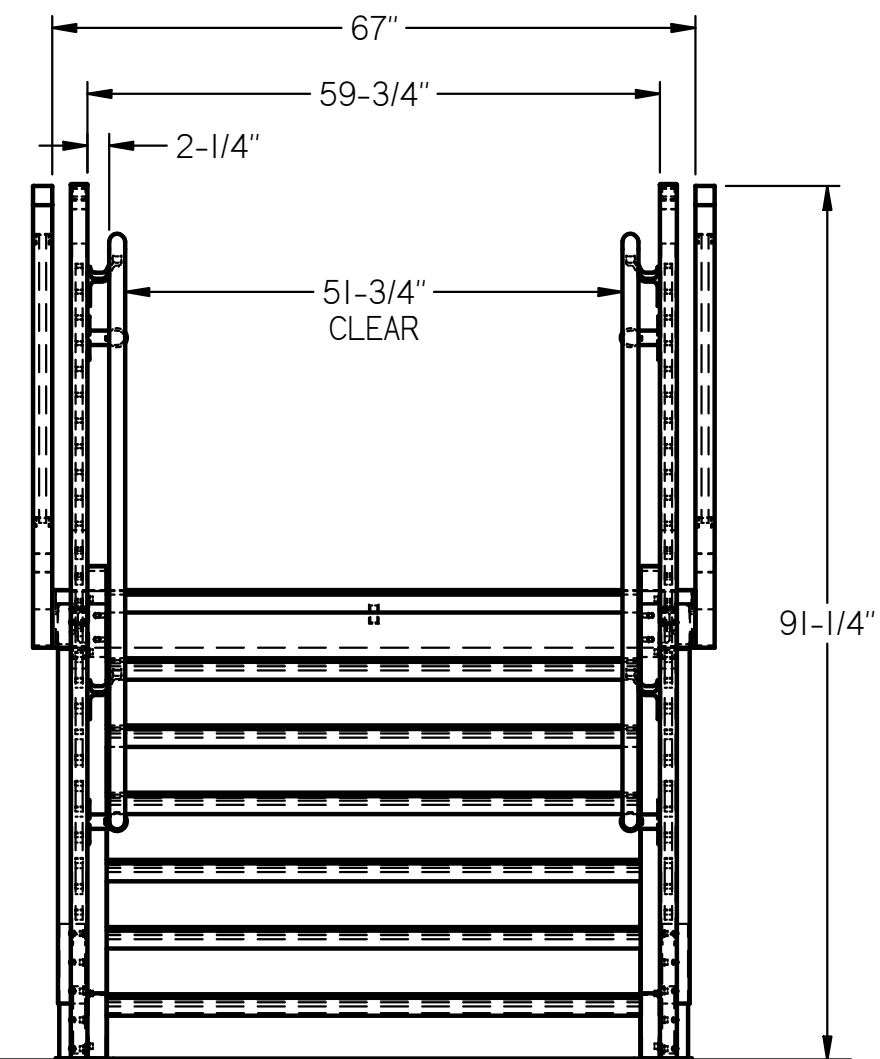
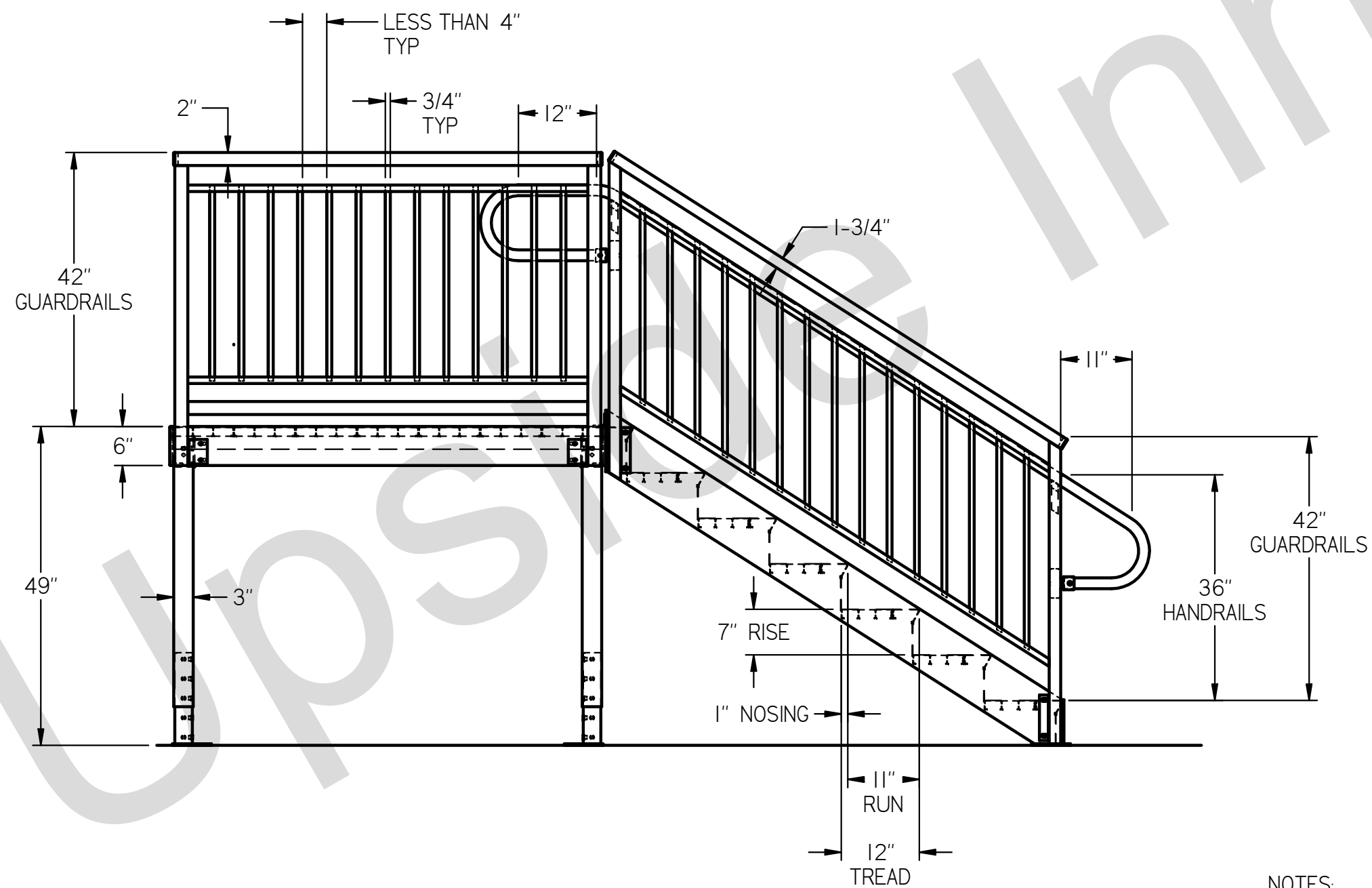


EXTRUDED AND KNURLED
NON-SLIP ALUMINUM STAIR
TREADS & PLATFORM DECK



LEVELING LEGS ARE
ADJUSTABLE +/- 4"



NOTES:

1. ALL 6000 SERIES ALUMINUM CONSTRUCTION WITH 18-8 STAINLESS STEEL CONNECTION HARDWARE.
2. CONCRETE ANCHORS ARE GALVANIZED STEEL.
3. APPROXIMATE WEIGHT: 445 LBS.

DWG #	DDI000-F		ALL DIMENSIONS IN INCHES	XXX ± 0.06"	FRACTIONAL ± 1/16"
DATE	2/22/18		UNLESS OTHERWISE SPECIFIED	XXXX ± 0.030"	ANGLES ± 1°
REVISION	--	CINCINNATI, OHIO	DATE	BY	REV
SCALE	1:20	WWW.UPSIDENOVATIONS.COM	REVISION DESCRIPTION		
DRAWN	SRF	PHONE: (513) 889-2492 FAX: (513) 672-2124			
CHECKED	KRS				
TITLE	UPSIDE DOCK STAIRS - 49" ADA/IBC DOCK STAIR (FRONT APPROACH)	SIZE			
		C			

The concepts and designs shown here-in are the exclusive proprietary property of UPSIDE INNOVATIONS LLC and may not be copied or used in any manner without written permission from UPSIDE INNOVATIONS.