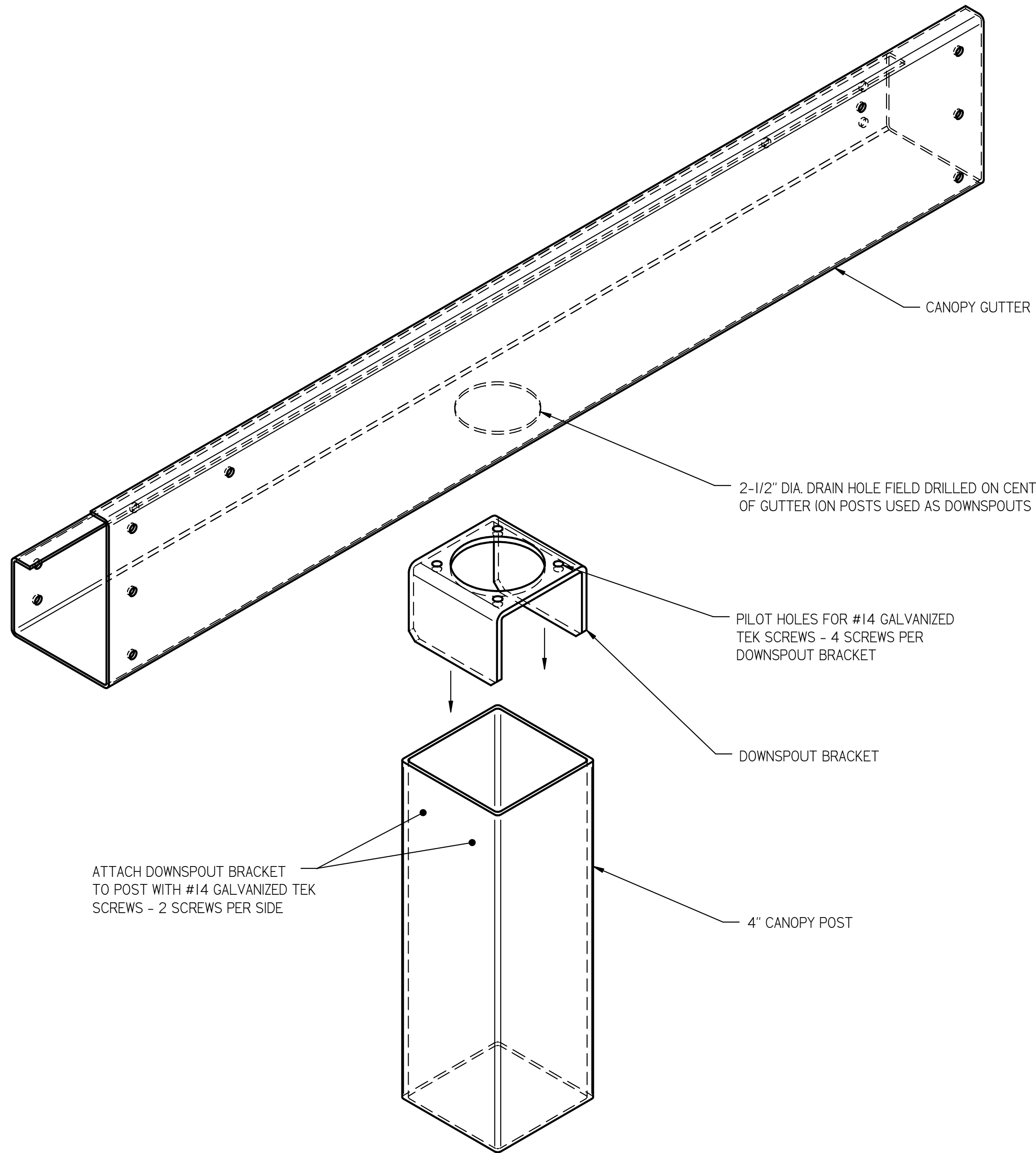


CANOPY GUTTER JOINT DETAIL

NOTE: SILICONE SEALANT MUST BE APPLIED TO ALL GUTTER SPLICES BEFORE AND AFTER ASSEMBLY


DWG #	CANOPY TOP WP	<p>UPSIDE INNOVATIONS LLC P.O. BOX 428511 - CINCINNATI, OHIO 45242 PHONE: (513) 404-7073 FAX: (513) 672-2124</p>	ALL DIMENSIONS IN INCHES		XXX ± 0.06"	FRACTIONAL ± 1/16"	
DATE	7/27/11		UNLESS OTHERWISE SPECIFIED		XXXX ± 0.030"	ANGLES ± 1°	
REVISION	A		DATE	BY	REV	REVISION DESCRIPTION	
SCALE	N/A		6/11/14	SF	A	ADDED HARDWARE MATERIAL INFORMATION	
DRAWN	SRF						
CHECKED	KRS						
TITLE	UPSIDE CANOPY DETAIL - CANOPY TOP CONSTRUCTION		SIZE	C			

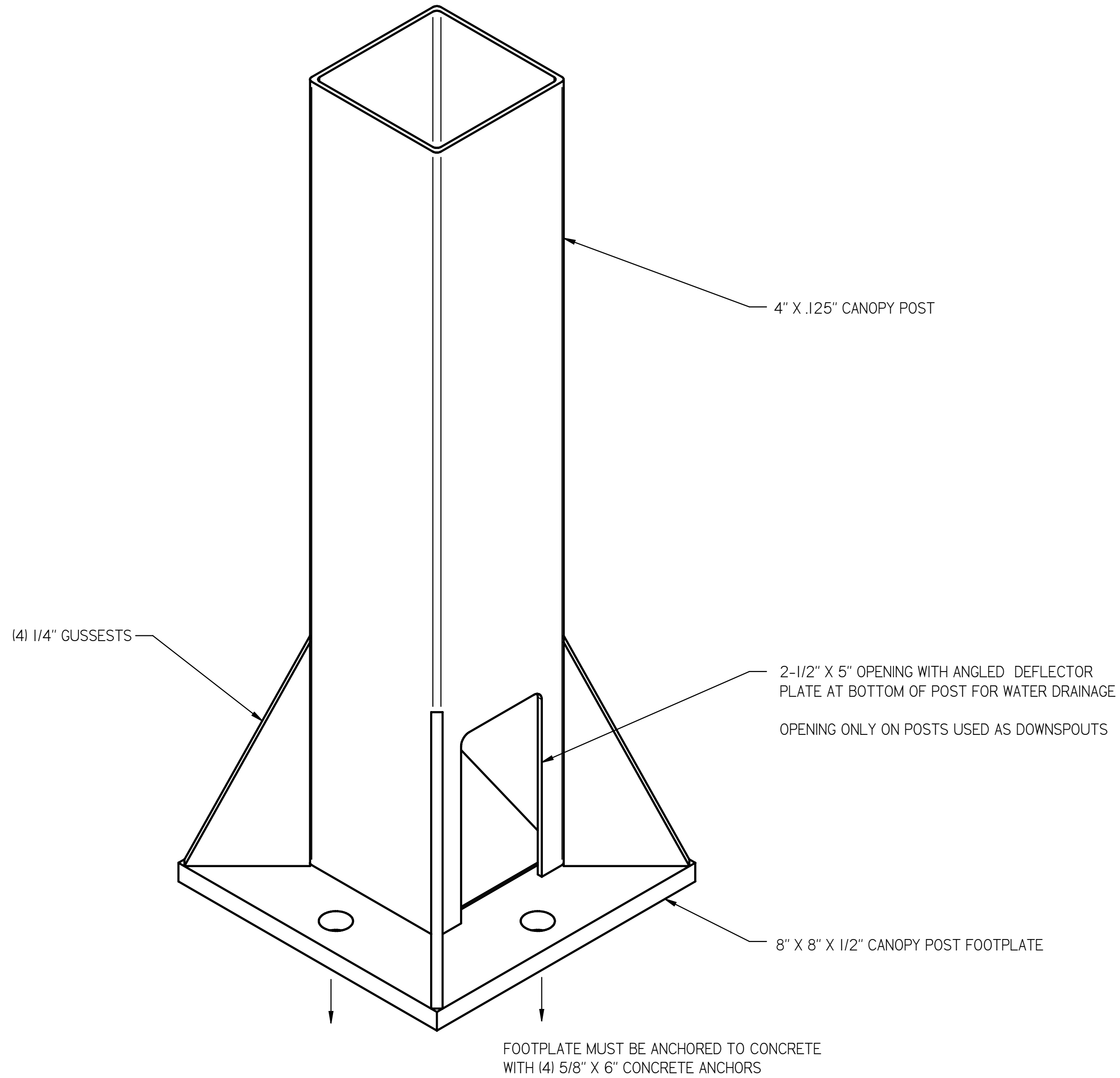
The concepts and designs shown here-in are the exclusive proprietary property of UPSIDE INNOVATIONS LLC and may not be copied or used in any manner without written permission from UPSIDE INNOVATIONS.




ATTACH DOWNSPOUT BRACKET
TO POST WITH #14 GALVANIZED TEK
SCREWS - 2 SCREWS PER SIDE

NOTE: SILICONE SEALANT MUST BE
APPLIED AROUND LEG TO GUTTER
JOINT FOR A WATERTIGHT SEAL

DWG #	CANOPY POST	 UPSIDE INNOVATIONS LLC P.O. BOX 428511 - CINCINNATI, OHIO 45242 PHONE: (513) 404-7073 FAX: (513) 672-2124	ALL DIMENSIONS IN INCHES		XXX ± 0.06"	FRACTIONAL ± 1/16"	
DATE	7/27/11		UNLESS OTHERWISE SPECIFIED		XXXX ± 0.030"	ANGLES ± 1°	
REVISION	A		DATE	BY	REV	REVISION DESCRIPTION	
SCALE	1:3		6/11/14	SF	A	ADDED HARDWARE MATERIAL INFORMATION	
DRAWN	SRF						
CHECKED	KRS						
TITLE	UPSIDE CANOPY DETAIL - CANOPY GUTTER TO POST ASSEMBLY		SIZE	C			
<small>The concepts and designs shown here-in are the exclusive proprietary property of UPSIDE INNOVATIONS LLC and may not be copied or used in any manner without written permission from UPSIDE INNOVATIONS.</small>							



DWG # CANOPY FOOTPLATE		 UPSIDE INNOVATIONS LLC P.O. BOX 428511 - CINCINNATI, OHIO 45242 PHONE: (513) 404-7073 FAX: (513) 672-2124	ALL DIMENSIONS IN INCHES		XXX ± 0.06"	FRACTIONAL ± 1/16"	
DATE	9/27/11		UNLESS OTHERWISE SPECIFIED		XXXX ± 0.030"	ANGLES ± 1°	
REVISION	--		DATE	BY	REV	REVISION DESCRIPTION	
SCALE	1:2						
DRAWN	SRF						
CHECKED	KRS						
TITLE		UPSIDE CANOPY DETAIL - CANOPY FOOTPLATE ASSEMBLY		SIZE	C		
The concepts and designs shown here-in are the exclusive proprietary property of UPSIDE INNOVATIONS LLC and may not be copied or used in any manner without written permission from UPSIDE INNOVATIONS.							