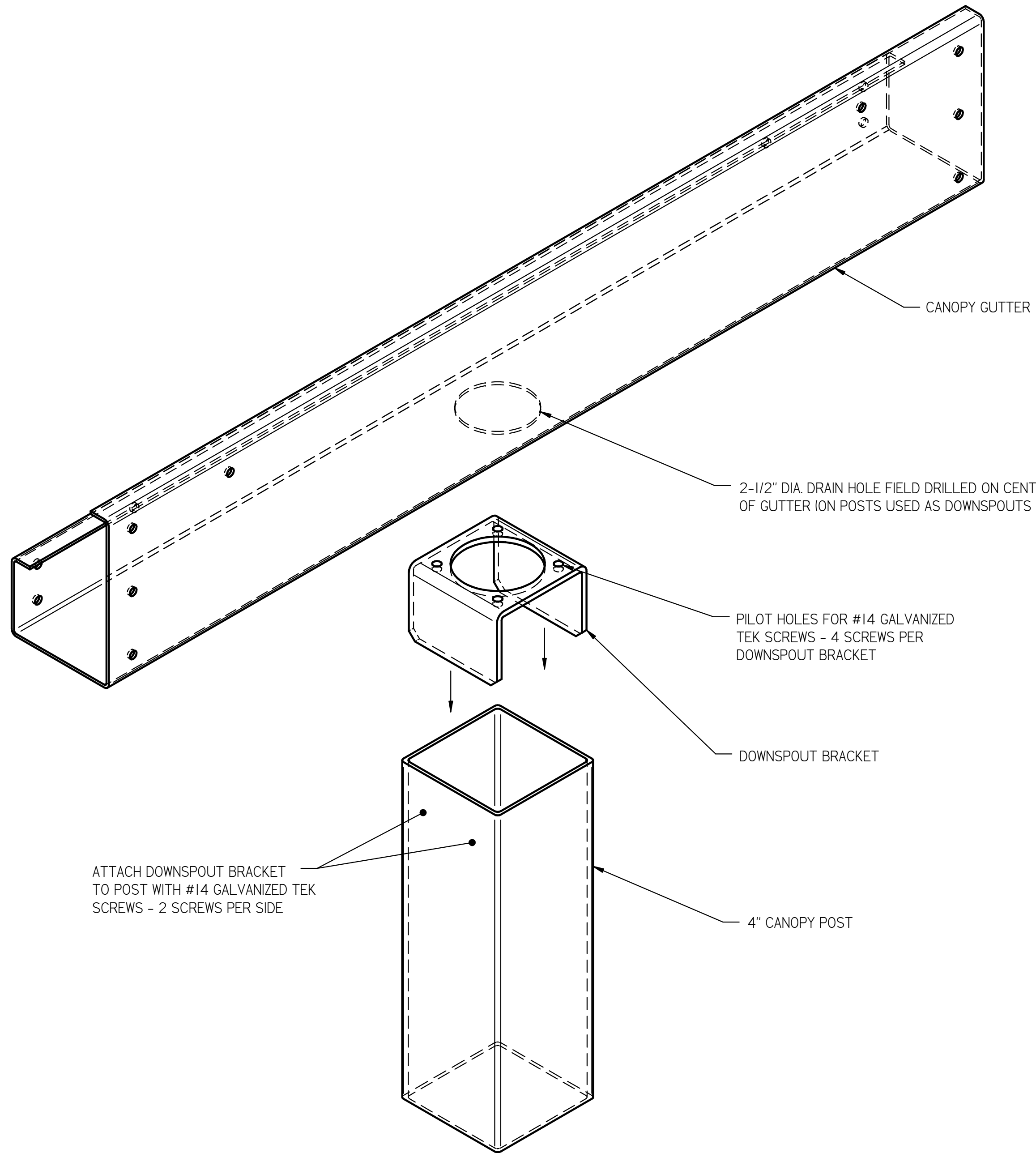



CANOPY GUTTER JOINT DETAIL

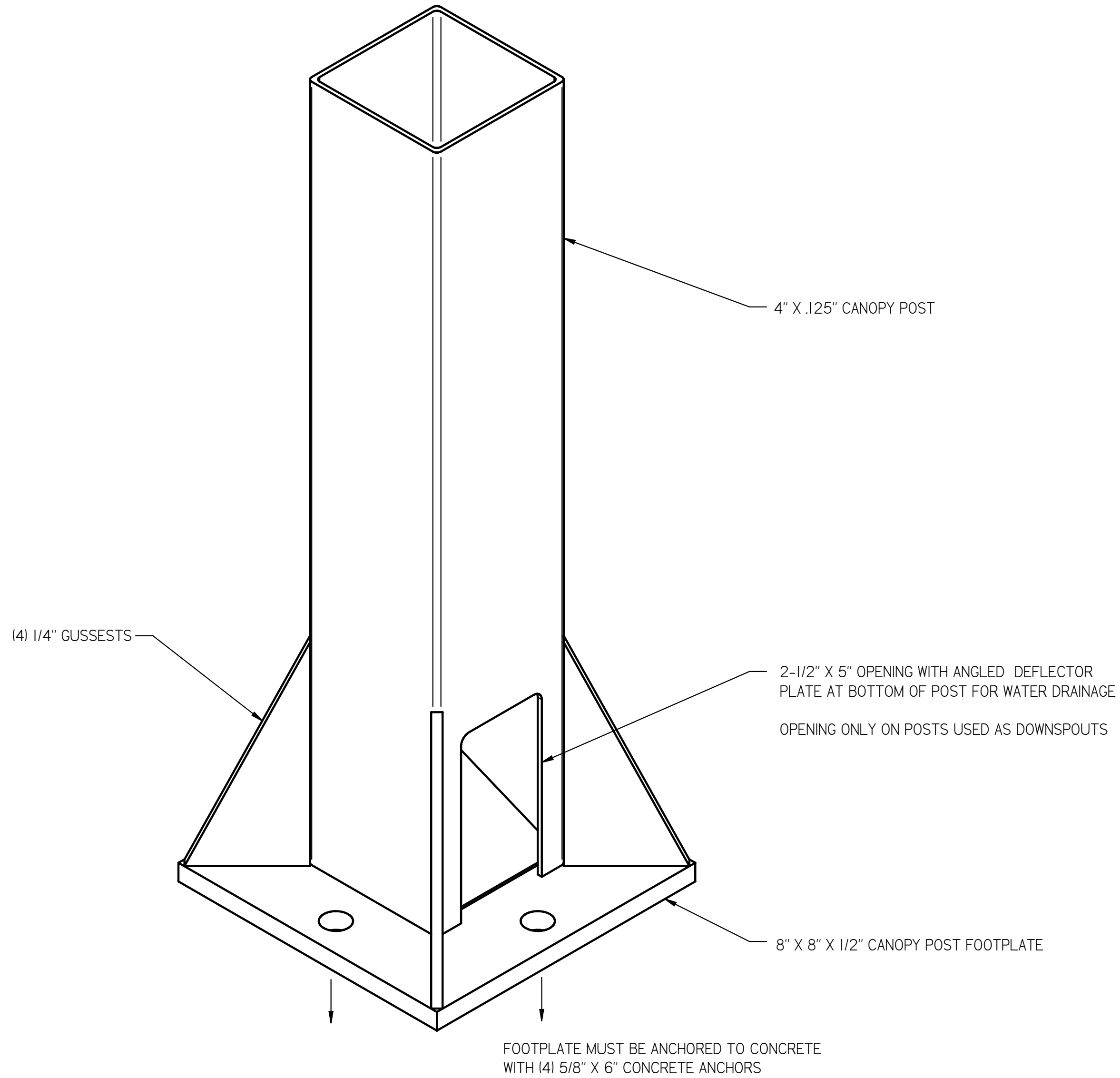
DWG #	CANOPY TOP FP	<p>UPSIDE INNOVATIONS LLC CINCINNATI, OHIO WWW.UPSIDENOVATIONS.COM PHONE: (513) 889-2492 FAX: (513) 672-2124</p>	ALL DIMENSIONS IN INCHES UNLESS OTHERWISE SPECIFIED	XXX ± 0.06" XXXX ± 0.030"	FRACTIONAL ± 1/16" ANGLES ± 1°	
DATE	4/22/15		DATE	BY	REV	REVISION DESCRIPTION
REVISION	--					
SCALE	N/A					
DRAWN	SRF					
CHECKED	KRS					
TITLE	UPSIDE CANOPY DETAIL - CANOPY TOP CONSTRUCTION WITH FLAT PAN DECKING	SIZE	C			
<p>The concepts and designs shown here-in are the exclusive proprietary property of UPSIDE INNOVATIONS LLC and may not be copied or used in any manner without written permission from UPSIDE INNOVATIONS.</p>						



ATTACH DOWNSPOUT BRACKET
TO POST WITH #14 GALVANIZED TEK
SCREWS - 2 SCREWS PER SIDE

NOTE: SILICONE SEALANT MUST BE
APPLIED AROUND LEG TO GUTTER
JOINT FOR A WATERTIGHT SEAL

DWG #	CANOPY POST	 UPSIDE INNOVATIONS LLC P.O. BOX 428511 - CINCINNATI, OHIO 45242 PHONE: (513) 404-7073 FAX: (513) 672-2124	ALL DIMENSIONS IN INCHES		XXX ± 0.06"	FRACTIONAL ± 1/16"	
DATE	7/27/11		UNLESS OTHERWISE SPECIFIED		XXXX ± 0.030"	ANGLES ± 1°	
REVISION	A		DATE	BY	REV	REVISION DESCRIPTION	
SCALE	1:3		6/11/14	SF	A	ADDED HARDWARE MATERIAL INFORMATION	
DRAWN	SRF						
CHECKED	KRS						
TITLE	UPSIDE CANOPY DETAIL - CANOPY GUTTER TO POST ASSEMBLY		SIZE	C			
<small>The concepts and designs shown here-in are the exclusive proprietary property of UPSIDE INNOVATIONS LLC and may not be copied or used in any manner without written permission from UPSIDE INNOVATIONS.</small>							



DWG # CANOPY FOOTPLATE		 UPSIDE INNOVATIONS LLC P.O. BOX 428511 - CINCINNATI, OHIO 45242 PHONE: (513) 404-7073 FAX: (513) 672-2124	ALL DIMENSIONS IN INCHES		XXX ± 0.06"	FRACTIONAL ± 1/16"	
DATE	9/27/11		UNLESS OTHERWISE SPECIFIED		XXXX ± 0.030"	ANGLES ± 1°	
REVISION	--		DATE	BY	REV	REVISION DESCRIPTION	
SCALE	1:2						
DRAWN	SRF						
CHECKED	KRS						
TITLE		UPSIDE CANOPY DETAIL - CANOPY FOOTPLATE ASSEMBLY		SIZE	C		
The concepts and designs shown here-in are the exclusive proprietary property of UPSIDE INNOVATIONS LLC and may not be copied or used in any manner without written permission from UPSIDE INNOVATIONS.							