

UPSIDE

UPSIDE INNOVATIONS, LLC RAMP AND STEP SYSTEM LAYOUT DRAWINGS

GENERAL SPECIFICATIONS

DESIGN BASED ON ADA ACCESSIBILITY GUIDELINES (ADAAG) FOR RAMPS AND STEPS - SECTIONS 4.8 & 4.9
AND THE INTERNATIONAL BUILDING CODE (IBC) FOR RAMPS AND STAIRWAYS - SECTIONS 1009 & 1010

MATERIALS

- ALL RAMP SECTIONS, PLATFORMS, STEPS, LEGS, AND GUARDRAILS ARE CONSTRUCTED OF MILL FINISH ALUMINUM EXTRUSIONS AND MILL FINISH ALUMINUM SHEET. EXTRUSIONS ARE EITHER 6061-T6, 6063-T52, OR 6005-T5 ALUMINUM ALLOY AND ALL ALUMINUM SHEET IS 5052-H32. POWDER COATING IN CUSTOM COLORS IS AVAILABLE UPON REQUEST.
- WELDED ASSEMBLIES ARE FABRICATED IN ACCORDANCE WITH ANSI WELDING STANDARD AWS D1.2/D1.2M:2003 - STRUCTURAL WELDING CODE FOR ALUMINUM.
- ALL MECHANICAL FASTENERS ARE 18-8 STAINLESS STEEL.

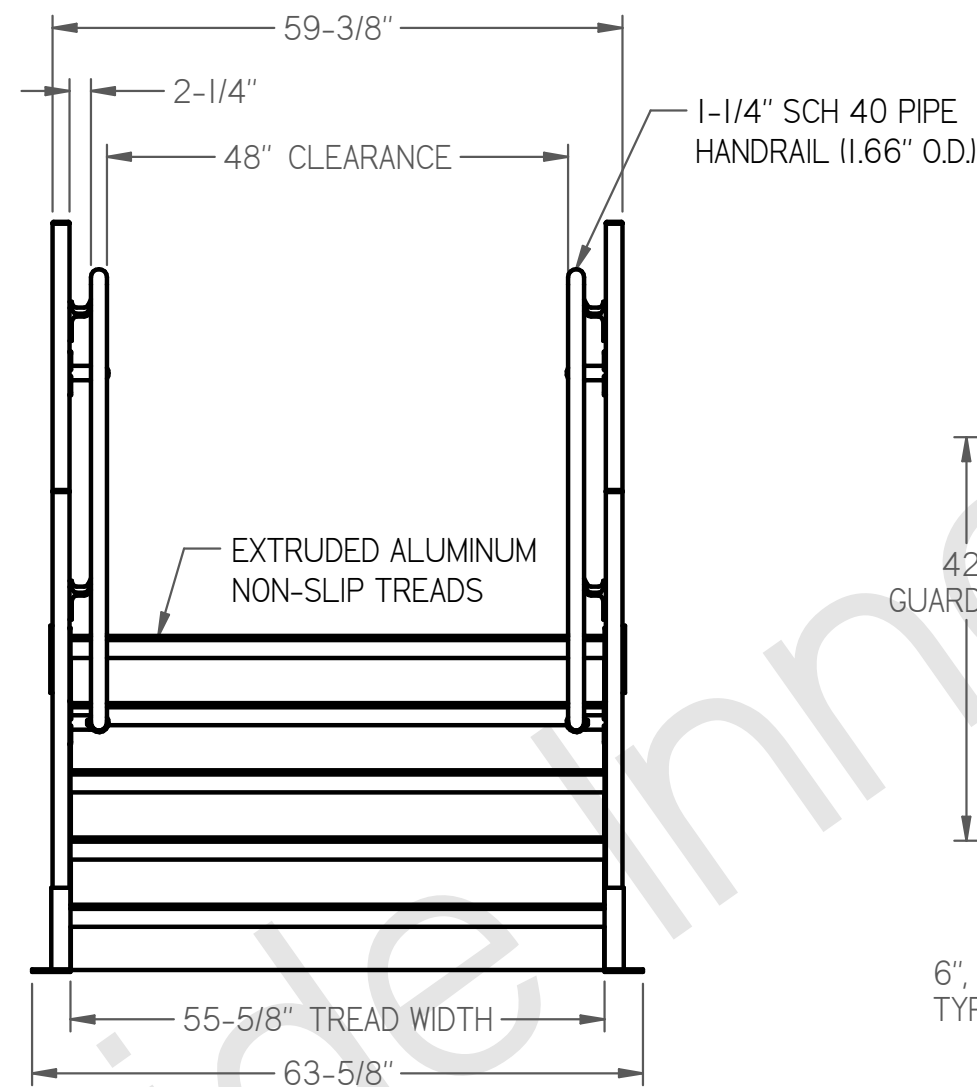
ENGINEERING

- THE RAMP, STEP, AND PLATFORM SYSTEM IS DESIGNED TO BE A RIGID, FREE STANDING STRUCTURE. ALL FOOTPLATES SHOULD BE FASTENED SECURELY TO A CONCRETE SURFACE OR 12" MINIMUM DIAMETER FOOTINGS IN ORDER TO ACHIEVE FULL STRUCTURAL INTEGRITY. FOOTING DEPTH WILL DEPEND ON LOCAL BUILDING CODE. FASTENING ALL PLATFORMS ADJACENT TO THE BUILDING OR MODULAR BUILDING WITH LAG SCREWS IS HIGHLY RECOMMENDED.
- ALL WALKING SURFACES ARE DESIGNED TO CARRY A UNIFORM LIVE LOAD OF 100 POUNDS PER SQUARE FOOT AND A CONCENTRATED VERTICAL LOAD OF 300 POUNDS IN AN AREA OF ONE SQUARE FOOT.
- ALL RAMP AND STEP HANDRAILS, AND RAMP, PLATFORM, AND STEP GUARDRAILS ARE DESIGNED TO WITHSTAND A CONCENTRATED LOAD OF 200 POUNDS APPLIED IN ANY DIRECTION ON THE TOP OF THE RAIL.
- ALL BALUSTERS ARE DESIGNED TO WITHSTAND A LOAD OF 50 POUNDS IN THE HORIZONTAL DIRECTION APPLIED IN AN AREA OF ONE SQUARE FOOT.
- ALL PLATFORM WALKING SURFACES ARE DESIGNED TO HAVE A COEFFICIENT OF FRICTION NO LESS THAN 0.50 IN ALL DIRECTIONS OF TRAVEL. ALL RAMP AND STEP WALKING SURFACES ARE DESIGNED TO HAVE A COEFFICIENT OF FRICTION NO LESS THAN 0.50 IN THE NORMAL DIRECTION OF TRAVEL.

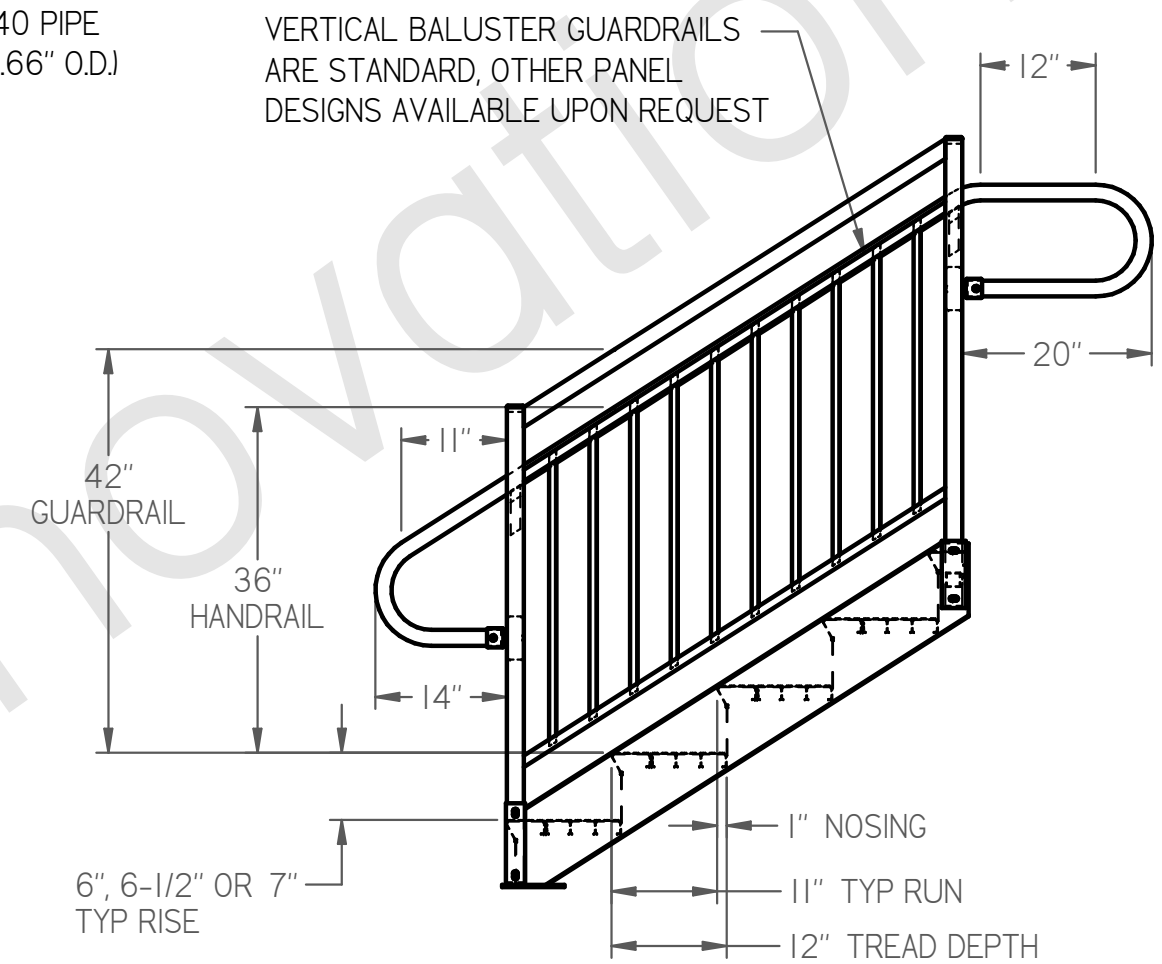
DIMENSIONAL CODE COMPLIANCE

- ALL RAMP SECTIONS ARE DESIGNED TO ALLOW A MAXIMUM SLOPE OF 1:12 OR 1" OF RISE FOR EVERY 12" OF RUN. THE RAMP SYSTEM CAN BE ADJUSTED TO ACCOMMODATE A LESSER SLOPE OF 1:20 IF DESIRED.
- RAMP LAYOUT DRAWINGS PROVIDED DO NOT ALLOW FOR ANY RAMP TO TRAVEL A DISTANCE OF 30 FEET (30" VERTICALLY) WITHOUT INCLUDING A RESTING PLATFORM. ALL RAMPS, STEPS, AND PLATFORMS SHOULD BE INSTALLED ACCORDING TO THE SUPPLIED DRAWINGS.
- ALL RAMP SECTIONS AND STAIRS ARE DESIGNED TO ALLOW A CLEARANCE OF 48" BETWEEN HANDRAILS.
- ALL PLATFORMS ARE DESIGNED TO BE WIDER THAN THE RAMP SECTION OR STEP LEADING UP TO THEM AND AT LEAST 60" LONG IN THE DIRECTION OF TRAVEL.
- ALL PLATFORMS ARE DESIGNED TO ALLOW AT LEAST A 60" DIAMETER AREA OF CLEARANCE FREE OF OBSTRUCTIONS.
- ALL GUARDRAILS WILL NOT ALLOW A 4" DIAMETER SPHERE TO PASS THROUGH IN ANY AREA.
- RAMP AND PLATFORM GUARDRAILS ARE ALL DESIGNED TO BE 42" HIGH MEASURED VERTICALLY FROM THE WALKING SURFACE TO THE TOP OF THE RAIL. STEPS OVER 30" HIGH ARE ALSO DESIGNED TO HAVE A 42" GUARDRAIL MEASURED FROM THE TOP OF THE STEP NOSING TO THE TOP OF THE RAIL.
- GUARDRAILS AND HANDRAILS ARE PROVIDED ON BOTH SIDES OF ALL RAMPS AND STEPS.
- ALL RAMP AND STEP HANDRAILS ARE DESIGNED TO BE CONTINUOUS ALONG RAMP RUNS AND IN BETWEEN THE INSIDE CORNER OF 90° AND 180° TURNS IN RAMP DIRECTIONS. HANDRAILS ARE NOT INTERRUPTED BY POSTS OR OTHER OBSTRUCTIONS.
- ALL HANDRAILS HAVE A CLEARANCE OF 2-1/4" BETWEEN THE HANDRAIL AND POST. HANDRAILS ARE CONSTRUCTED OF 1-1/4" SCH 40 PIPE WITH AN OUTSIDE DIAMETER OF 1.66"
- RAMP HANDRAILS ARE DESIGNED TO BE 36" HIGH MEASURED VERTICALLY FROM THE WALKING SURFACE TO THE TOP OF THE RAIL. RAMP HANDRAILS EXTEND 12" PAST THE END OF THE SLOPE PARALLEL TO THE GROUND SURFACE AND RETURN TO THE CLOSEST RAIL POST OR WALL IF NEEDED DUE TO DOOR SWING INTERFERENCE AT THE TOP OF THE RAMP.
- STEP HANDRAILS ARE DESIGNED TO BE 36" HIGH MEASURED VERTICALLY FROM THE TIP OF THE STEP NOSING TO THE TOP OF THE RAIL. STEP HANDRAILS EXTEND 12" PAST THE TOP STEP NOSING PARALLEL TO THE GROUND SURFACE AND RETURN TO THE CLOSEST RAIL POST OR WALL IF NEEDED DUE TO DOOR SWING INTERFERENCE AT THE TOP OF THE STEP. STEP HANDRAILS ALSO EXTEND ONE TREAD WIDTH PAST THE BOTTOM STEP TREAD (11") AND RETURN TO THE CLOSEST RAIL POST.
- ALL RAMP SECTIONS ARE DESIGNED TO INCORPORATE A 3-1/4" HIGH CURB ADJACENT TO THE WALKING SURFACE ON BOTH SIDES.
- ALL STEP TREADS ARE DESIGNED TO HAVE A UNIFORM DEPTH OF 12" WITH A 1" NOSING FOR AN EFFECTIVE RUN OF 11" PER STEP. ALL STEP TREADS ARE ALSO DESIGNED TO HAVE A UNIFORM HEIGHT OF EITHER 6", 6-1/2", OR 7" DEPENDING ON THE OVERALL HEIGHT OF THE STEP ASSEMBLY. ALL STEP RISERS ARE CLOSED IN BETWEEN TREADS.
- ALL STEP NOSINGS HAVE A UNIFORM RADIUS OF 1/4" AND AN UNDERSIDE ANGLE OF 60° FROM THE HORIZONTAL.

STANDARD 42" BALUSTER GUARDRAILS WITH 36" SINGLE HANDRAILS



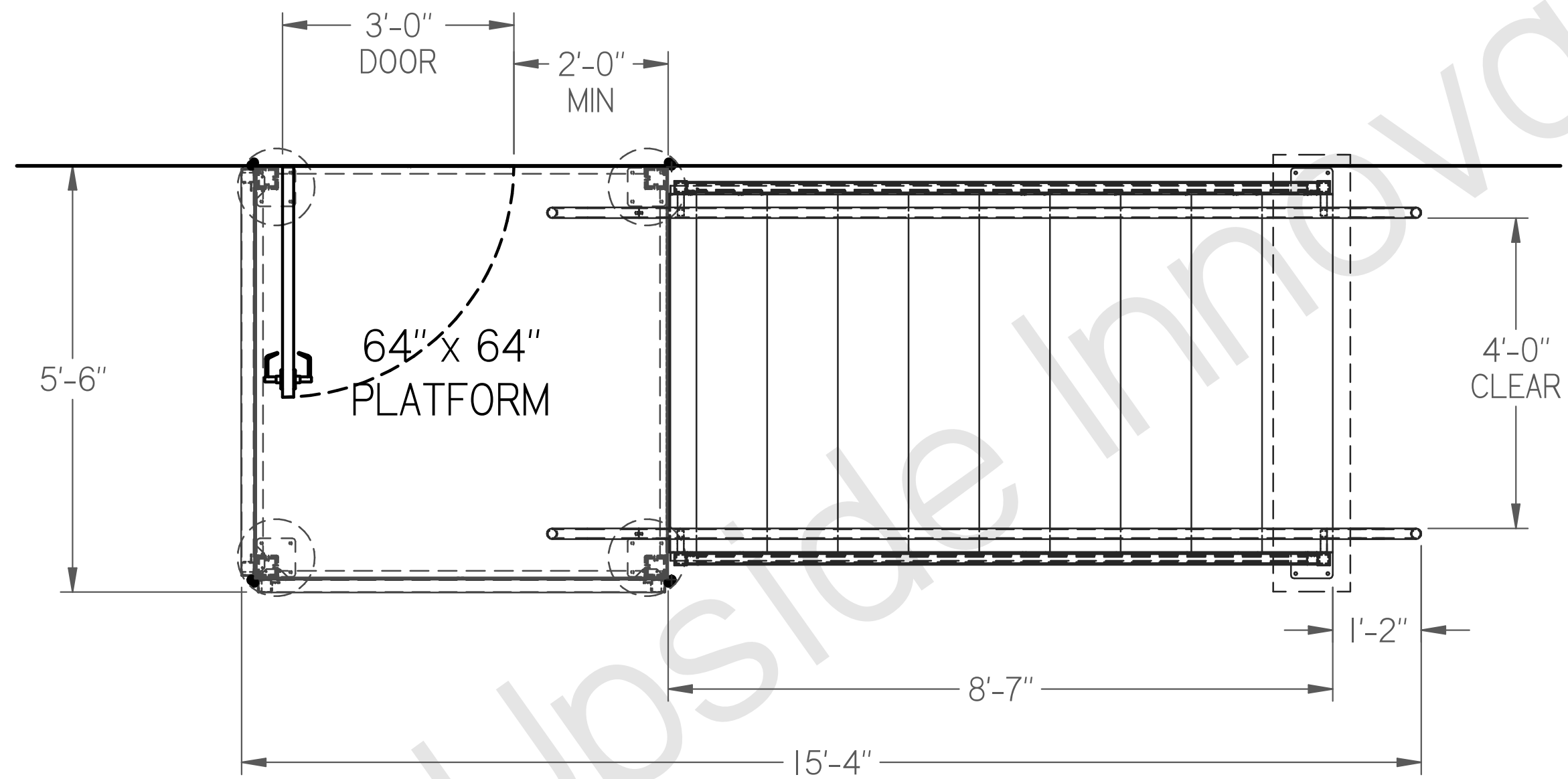
TYPICAL STEP RISER WITH 42" GUARDRAIL: CRITICAL DIMENSIONS
FRONT VIEW



TYPICAL STEP RISER WITH 42" GUARDRAIL: CRITICAL DIMENSIONS
SIDE VIEW

DWG #	60_STEP	<p>UPSIDE INNOVATIONS LLC CINCINNATI, OHIO WWW.UPSIDEINNOVATIONS.COM PHONE: (513) 889-2492 FAX: (513) 672-2124</p>	ALL DIMENSIONS IN INCHES UNLESS OTHERWISE SPECIFIED		XXX ± 0.060" XXXX ± 0.015" ANGLES ± 1°	
DATE	12/4/14		DATE	BY	REV	REVISION DESCRIPTION
REVISION	--					
SCALE	N/A					
DRAWN	SRF					
CHECKED	KRS					
TITLE	UPSIDE STANDARD LAYOUT - 60" STEPS	SIZE	C			
The concepts and designs shown here-in are the exclusive proprietary property of UPSIDE INNOVATIONS LLC and may not be copied or used in any manner without written permission from UPSIDE INNOVATIONS.						
					SHEET # COVER	

60" STEP WITH (1) 64" X 64" PLATFORM



SITE EVALUATION CHECKLIST

ELEVATION MEASUREMENTS: _____ AT THRESHOLD PLATFORM
 _____ AT BASE OF RAMP
 _____ AT BASE OF STEP

INSTALLATION SURFACE: CONCRETE SLAB ABS PADS
 CONCRETE FOOTERS WOOD
 ASPHALT OTHER: _____
 CONCRETE PAVERS

GROUND ANCHORING REQUIREMENT: CONCRETE ANCHORS
 HURRICANE STRAPS
 NONE (PLATFORM LAG BOLTED TO BUILDING ONLY)

BUILDING SIDING TYPE: _____

DOOR WIDTHS: _____
 MARK DIMENSION BETWEEN DOORS ON DRAWING (IF APPLICABLE)

BUILDING SIZES: _____

PLEASE MARK ANY OBSTRUCTIONS ON THIS DRAWING.
 (TREES, ICE MACHINES, A/C UNITS, ELECTRICAL PANELS, ETC)

THE ITEMS LISTED MUST BE EVALUATED BY THE SITE MANAGER AND RETURNED TO UPSIDE INNOVATIONS BEFORE ANY PRODUCT WILL BE SHIPPED. IF ANY INFORMATION CONTAINED WITHIN THE SITE EVALUATION IS INCORRECT RESULTING IN THE NEED FOR ADDITIONAL MATERIAL, INSTALLATION AND/OR TRAVEL TIME, THE CUSTOMER WILL BE BILLED ACCORDINGLY.

SIGNATURE: _____ DATE: _____

DWG # 60_STEP	 UPSIDE INNOVATIONS LLC CINCINNATI, OHIO WWW.UPSIDEINNOVATIONS.COM PHONE: (513) 889-2492 FAX: (513) 672-2124	ALL DIMENSIONS IN INCHES UNLESS OTHERWISE SPECIFIED		XXX ± 0.060" XXXX ± 0.015" ANGLES ± 1°
DATE 12/4/14		DATE	BY	REV
REVISION --				
SCALE 1:20				
DRAWN SRF				
CHECKED KRS				
TITLE UPSIDE STANDARD LAYOUT - 60" STEPS	SIZE C			
The concepts and designs shown here-in are the exclusive proprietary property of UPSIDE INNOVATIONS LLC and may not be copied or used in any manner without written permission from UPSIDE INNOVATIONS.				SHEET # 01